

# USER GUIDE

*Electronic Bidet Seat*



# VICLEAN<sup>®</sup>

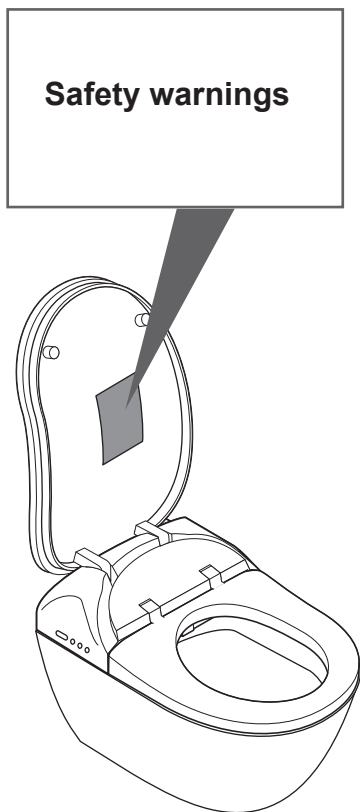
NATURAL SIMPLICITY

*Designed by Daniel Debiasi and Federico Sandri*

# Functions

Functions		VICLEAN <sup>®</sup> L4
CLEANSE	Rearwash	●
	Ladywash	●
	Oscillating comfort wash	●
	Pulsating wash	●
	Panorama spray	●
	Water temperature control	3 Levels
	Water volume control	3 Levels
	Nozzle position adjustment	3 Levels
COMFORT	Heated seat	●
	Heated seat temperature control	3 Levels
	Remote control	●
	Soft close seat and lid	●
	User settings	3 Users
	Night light	●
HYGIENE	Antibacterial coating	●
	Rimless concept	●
	Self-cleaning nozzle	●
ENERGY SAVING	Auto energy saver	●
	Instant water heating	●

# Table of Contents



Safety Precautions .....	4
Operational Precautions .....	15
Part Names .....	18
Preparation .....	20
<hr/>	
Basic Operations .....	22
Rearwash .....	24
Water Temperature, Panorama Spray .....	25
Oscillating Comfort Wash, Nozzle Position.....	26
Pulsating Wash, Water Volume .....	27
Ladywash .....	28
Water Temperature, Panorama Spray .....	29
Oscillating Comfort Wash, Nozzle Position.....	30
Pulsating Wash, Water Volume.....	31
Heated Seat .....	32
User Settings .....	33
Side Panel Functions .....	35
Night Light ON / OFF .....	35
Silent Mode ON / OFF .....	36
Seat Sensor ON / OFF .....	37
ECO Mode ON / OFF.....	38
Nozzle Cleaning .....	39
Water Filter Cleaning .....	40
<hr/>	
Installation Guide.....	41
Included Parts.....	42
Required Items.....	43
Installation Procedure.....	44
Remote Control Mounting.....	47
Anti-theft Protection for Remote Control .....	50
Trial Run.....	51
Measurements.....	52
Dismantle Guide.....	53
<hr/>	
Troubleshooting.....	54
Specifications.....	57
Important User Guidance Information.....	58
Warranty.....	59

# Safety Precautions

These precautions are important for safe usage. Be sure to follow them and use the product correctly.

## Symbols and Meanings



### WARNING

May result in death or serious injury.



### CAUTION

May result in injury or property damage.

The following symbols are used to indicate important safety instructions for the use of the product.



This symbol indicates a prohibited use of the product.



This symbol is used to indicate a required step in the use of this product.

- This product is classified as class 1 equipment and must be grounded.
- This appliance is not intended for use by persons (including children) with reduced physical, sensory or mental capabilities, or lack of experience and knowledge, unless they have been given supervision or instruction concerning use of the appliance by a person responsible for their safety. Children should be supervised to ensure that they do not play with the appliance.
- This product should only be installed using the authorized installation kit provided. Please refer to the connection manuals in order to find out more about the water and electric connections.
- The pressure of the water used to supply this appliance should be within the range of 0.1 to 0.68 MPa.

# Safety Precautions

- The resistivity of the water supply must not be less than 0.1  $\Omega\text{cm}$ .

**Never sit on the lid of this appliance.**



## WARNING

**Do not touch the power connector with wet hands.**

- Doing so may cause electrical shock.

**Do not get any water or cleaning solution on the main unit or power plug or electrical box.**

- Doing so may cause fire, electrical shock, heat or short circuit.
- Doing so may cause the product to crack resulting in injury or water damage.



**Never disassemble, repair or alter.**

- Doing so may cause fire, electrical shock, heat, short circuit or permanent damage.

**Do not install the product on moving vehicles such as wheeled vehicles or boats.**

- Doing so may cause fire, electric shock, short circuit or malfunction.
- The toilet seat, toilet lid, main unit or other parts may come loose and fall off, resulting in injury.

## CHILDRENS SAFETY

This appliance can be used by children aged from 8 years and above and persons with reduced physical, sensory or mental capabilities or lack of experience and knowledge if they are supervised or have been instructed in how to use the appliance in a safe way and understand the hazards involved. Children should not be allowed to play with the appliance. Cleaning and user maintenance should not be done by children unless they are supervised.

# Safety Precautions



## WARNING

**Do not use VICLEAN<sup>®</sup> if a malfunction occurs.**

- Always unplug the power connector.  
Always switch the breaker on the distribution board to OFF.
- Close the water shutoff valve to stop water supply.  
Possible malfunctions:
  - Water is leaking from a pipe or the main unit.
  - The product is cracked or broken.
  - The product makes a strange noise or emits a strange odor.
  - The product emits smoke.
  - The product is abnormally hot.
  - The toilet seat cushion is out of place.
- Continued use after malfunction could cause a fire, electric shock, heat, short circuit, injury or water damage.

**Only use tap water or potable well water (underground water).**

**Do not use seawater, industrial water or rainwater for the water supply.**

- Doing so may cause irritation to the skin and malfunction.

**Do not touch the power connector during thunderstorms.**

- Doing so may cause electrical shock.

**Do not allow the water supply hose to touch the power connector.**

- Doing so may cause condensation resulting in a fire, electrical shock, heat or a short.

# Safety Precautions

**Do not do anything that may damage the power cord, power connector.**

Do not strike, yank, twist, excessively bend, damage, alter, or heat the electrical cords. Also, do not place anything heavy on, bind or pinch the electrical cords.

- Using a damaged electrical cord may result in a fire, electrical shock, heat or short.
- The appliance must be permanently connected to fixed wiring.



**Do not use a loose or faulty electrical connection.**

- Doing so may cause fire or short circuit.

**Do not use any outlet or wiring equipment beyond its specified rating.**

- Plugging too many plugs into the same outlet, for example using outlet splitters, can cause fire due to heat.

**Do not use any power supply other than the one specified.**

AC 220V - 240V, 50Hz

- Doing so may cause fire or excessive heat.



## CAUTION

In order to avoid a hazard due to inadvertent resetting of the thermal cut-out, this appliance must not be powered by an external switching device, such as a timer, or connected to a circuit that is regularly switched on and off by the utility.

**Make sure not to splash water, detergents, or urine to the power supply.**

- Doing so may cause an electrical shock.

# Safety Precautions



## **WARNING**

**To reduce the danger of burns, death from electric shock, fire or other human injury:**

- Never operate this product if it has a damaged cord or plug, if it is not working properly, if it has been dropped or damaged, or if it has been dropped in water. Return the product to Villeroy & Boch AG (Europe) or Villeroy & Boch Trading Shanghai Co., Ltd. (Asia) for examination and repair.
- Never block the air openings of the product or place it on a soft surface, such as a bed or a couch, where the air openings could be blocked. Keep the air openings free of lint, hair or a similar material.
- Never use it while sleepy or drowsy.
- Never drop or insert anything into any opening or hose.
- Do not use it outdoors where aerosol (spray) products are being used or where oxygen is being administered.

**Do not bend or distort the nozzle.**

- Doing so may cause product damage and performance reduction.

**Keep cigarettes and other open flames away from the product. Do not place a heater near the product.**

- Failure to do so may cause fire.



## **Beware of irritation or burn**

- Improper use of the toilet seat may cause irritation or burn.

When sitting for a long time on the toilet seat, switch the toilet seat temperature adjustment to „OFF“.

When any of the following persons use a heated seat or warm air drying, someone should switch the toilet seat temperature adjustment to „OFF“.



- Young children, the aged and other users unable to set the temperature appropriately themselves
- The ill, physically disabled and others who do not have freedom of movement.
- Those using any medicines that cause drowsiness (sleeping or cold medicine), those who have been drinking heavily, anyone severely fatigued and anyone else liable to fall asleep.

## **To reduce the danger of burns, death from electric shock, fire or other human injury:**

- Close supervision is necessary when this product is used by or near children or handicapped.
- Use this product only for its intended use as described in this manual. Do not use accessories not recommended by the manufacturer.
- Keep the cord away from heated surfaces.
- Connect this product to a properly grounded outlet only.
- The tank should only be filled with water.

# Safety Precautions



## WARNING

**This is an electrical product. Do not install it anywhere where water is likely to get on the product or anywhere with humidity high enough that water is likely to form on the surface of this product. When using the product in a bathroom, install a fan or ventilation port and ensure good air flow through the bathroom.**

- Failure to do so may cause fire or electrical shock.

**Always connect VICLEAN<sup>®</sup> to the cold water supply.**

- Connecting to hot water supply may result in burns and equipment damage.



**Electrical power supply should be built by qualified electrical personnel.**

**Check that an appropriate ground is installed.**

- If the ground is not installed, if there is a breakdown or electrical current leak, the lack of a ground could cause electrical shock.

For the ground, use copper wire with a ground resistance of 100  $\Omega$  max. and a diameter of 1.6 mm min.

\* If there is no ground installed, ask the contractor who did the installation to install the ground.

**Make sure that a properly grounded (3 prong) outlet has been installed.**

- Failure to install a grounded outlet could cause electrical shock in the event of a malfunction or short circuit.

## **Check that the outlet for electrical power is as follows.**

- Failure to do so may cause fire or electrical shock.
  - a. Apply a current to the outlet (or device) through a differential residual current device (DDR) whose release current does not exceed 30 mA.
  - b. Install the outlet (or device) and its wiring plug at least 0.60 m away from the outside of the shower tub or bathtub.
    - \* Check that the wiring in a. and b. above is complete. If the wiring has not been completed, ask the contractor who did the installation to do it.

## **Insert the power connector securely.**

### **Check that the power cord is connected.**



- Failure to do so may cause fire, heat or short circuit.
  - \* When installing this product, observe the local laws and regulations regarding installation.

## **To unplug, hold the connector, not the cord.**

Do not unplug by pulling the cord.

- Pulling on the cord may cause damage and result in fire or heat.

## **Do not use wet hands to insert or deinsert power connectors.**

- Doing so may cause a fire or an electrical shock.

**If the electric cord is damaged, avoid danger by having the manufacturer's repair department or equivalent specialist replace it.**

# Safety Precautions



## WARNING

**Always disconnect the power connector from the outlet before cleaning, maintenance or inspection.**



Always switch OFF.

- Failure to do so may cause electrical shock or malfunction.

\* Except when using „Nozzle cleaning“

**Cleaning and user maintenance should not be done by children unless they are supervised.**



## CAUTION

**Do not use the product if the main unit is unstable.**

- Doing so may cause the main unit to come loose and fall, resulting in injury.
- If there is backflash in the main unit, consult the installer, seller or the contact listed on the back cover of this manual.

**If the product is damaged, do not touch the damaged section.**



- Doing so may cause electrical shock or injury. Replace it immediately.

**Do not apply strong force, mechanical shock, step on or stand on the toilet seat, toilet lid or main unit. Also do not place any heavy object on the toilet seat, toilet lid or main unit.**

- Doing so may cause cracking or cause the main unit to come loose and fall, resulting in injury.
- Doing so may damage the product and cause injury or water damage.

# Safety Precautions

**Do not lift up this product by the toilet seat or lid. Do not raise the toilet seat or lid while objects are resting on top of the toilet.**

- Doing so may cause the main unit to come loose and fall, resulting in injury.



**To reduce the danger of death from electric shock:**

- Do not use while bathing.
- Do not place or store the product where it could fall or be pulled into a tub or sink.
- Do not put in or drop into water or other liquid.
- Do not try to recover the product if it has fallen into water. Unplug it immediately.

Switch the breaker on the distribution board to OFF.

**To prevent a sudden water leak, do not try to remove the water filter drain valve when the shutoff valve is open.**

- Doing so will cause water to spurt out.  
(Refer to Page 40 for instructions on cleaning the water filter drain valve.)

**Do not fold or crush the water supply hose; do not damage by cutting with a sharp object.**

- Doing so may cause water leaks.

# Safety Precautions



## CAUTION

**If a water leak should occur, always close the shut-off valve.**

**When the ambient temperature is likely to drop to 0°C or lower, prevent damage to the pipes and hoses due to freezing.**

- Frozen water pipes could cause the main unit and the pipes to break, resulting in a water leak.
- Regulate the room temperature to prevent the pipes and hoses from freezing during cold months.
- Drain the water.



**When installing the water filter drain valve, make sure that it is securely tightened in its proper position.**

- Failure to securely tighten it may cause water leaks.

# Operational Precautions

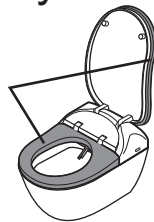
## For prevention of damage

- Wipe plastic areas such as the main unit and remote control with a soft, wet cloth or tissue.
- Do not lean against the toilet lid.

## Problem Prevention

- Disconnect the power connection if there is a risk of lightning. Switch the breaker on the distribution board to OFF.
- A toilet seat cover or a toilet lid cover can not be used. (The body sensors may not function properly.)

Do not place any covers here.



- Do not urinate on the main unit, toilet seat or nozzle. (Doing so may cause pink or brown stains or a malfunction.)
- Do not apply strong forces to the control panel of the remote control.
- When using a toilet cleaner to clean the toilet, wash it off within 3 minutes and leave the toilet seat and toilet lid open. Wipe off any cleaner that remains on the toilet bowl. (If vapor from a toilet bowl cleaner enters the main unit, it may cause a malfunction.)
- Do not expose to direct sunlight. (Doing so may cause changes in color, irregular heated seat temperature, remote control malfunction or VICLEAN<sup>®</sup> malfunction due to the change in temperature.)
- Use radios, etc. away from VICLEAN<sup>®</sup> (VICLEAN<sup>®</sup> could cause interference with the radio signal.)
- If you use a booster seat for infants or a soft high chair, remove it after use. (Keeping it installed may prevent some of the functions from being used.)
- Do not apply force to the remote control. (May cause malfunction.) To prevent the remote control from being dropped, set it in the hanger when you are not using it. Be careful not to expose it to water.

# Operational Precautions

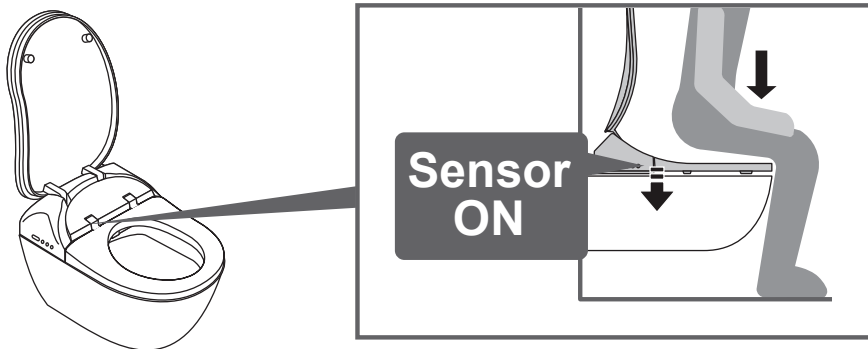
## About rearwash, rear soft cleanse and ladywash

- These functions wash away waste and dirt from a localized area of your body.
- Do not cleanse too much or for too long. Doing so may wash away normal bacteria, upsetting the balance of bacteria inside your body.
- People who are receiving medical treatment or therapy in this localized area should consult their doctor before use.

## About the seat sensor

Body sensor detects changes in heat.

- When you sit on the toilet seat, the seat sensor enables you to use various features.



Sit back on the toilet seat.

- The seat sensor will not switch VICLEAN<sup>®</sup> to feature mode unless you sit on the seat properly.



### NOTE

- When a child uses VICLEAN<sup>®</sup>, the seat sensor may not be activated by their light body weight.



# Safety Rules

## SAFETY OF THE DISABLED

- This appliance is not intended for use by persons including children with reduced physical, sensory or mental capabilities, or lack of experience and knowledge, unless they have been given supervision or instruction concerning use of the appliance by a person responsible for their safety.

## CHILDREN UNDER 8

- This appliance can be used by children aged from 8 years and above.

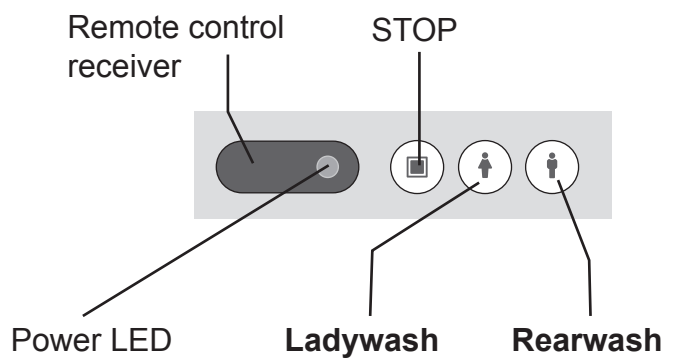
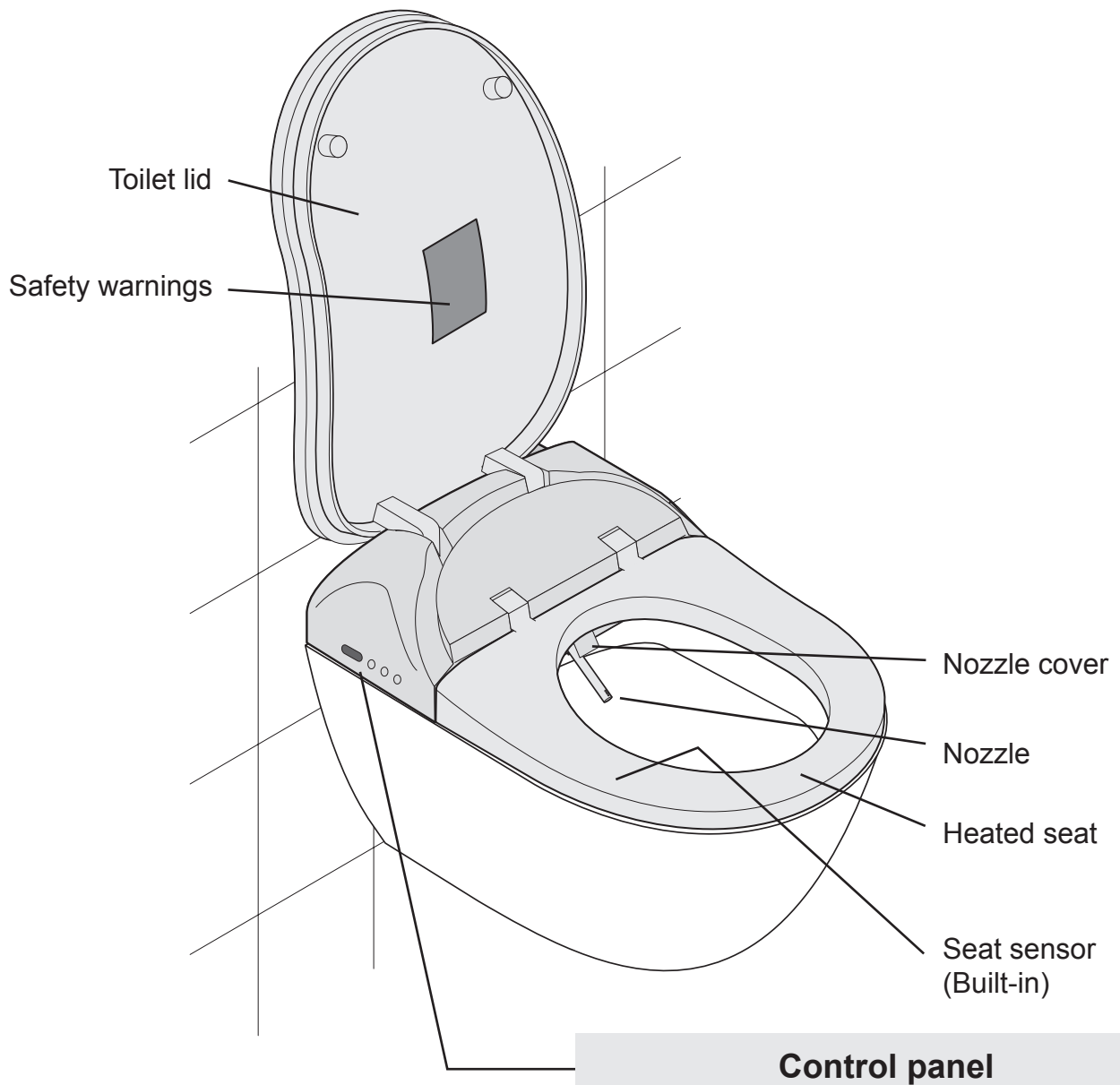
## REPLACEMENT OF POWER CORD

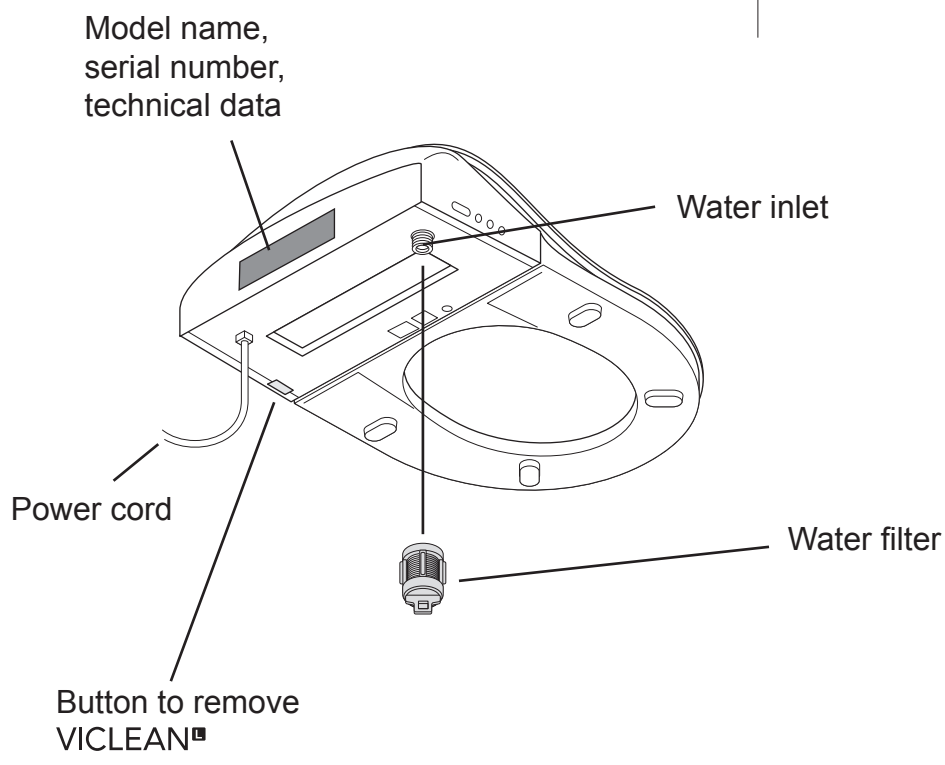
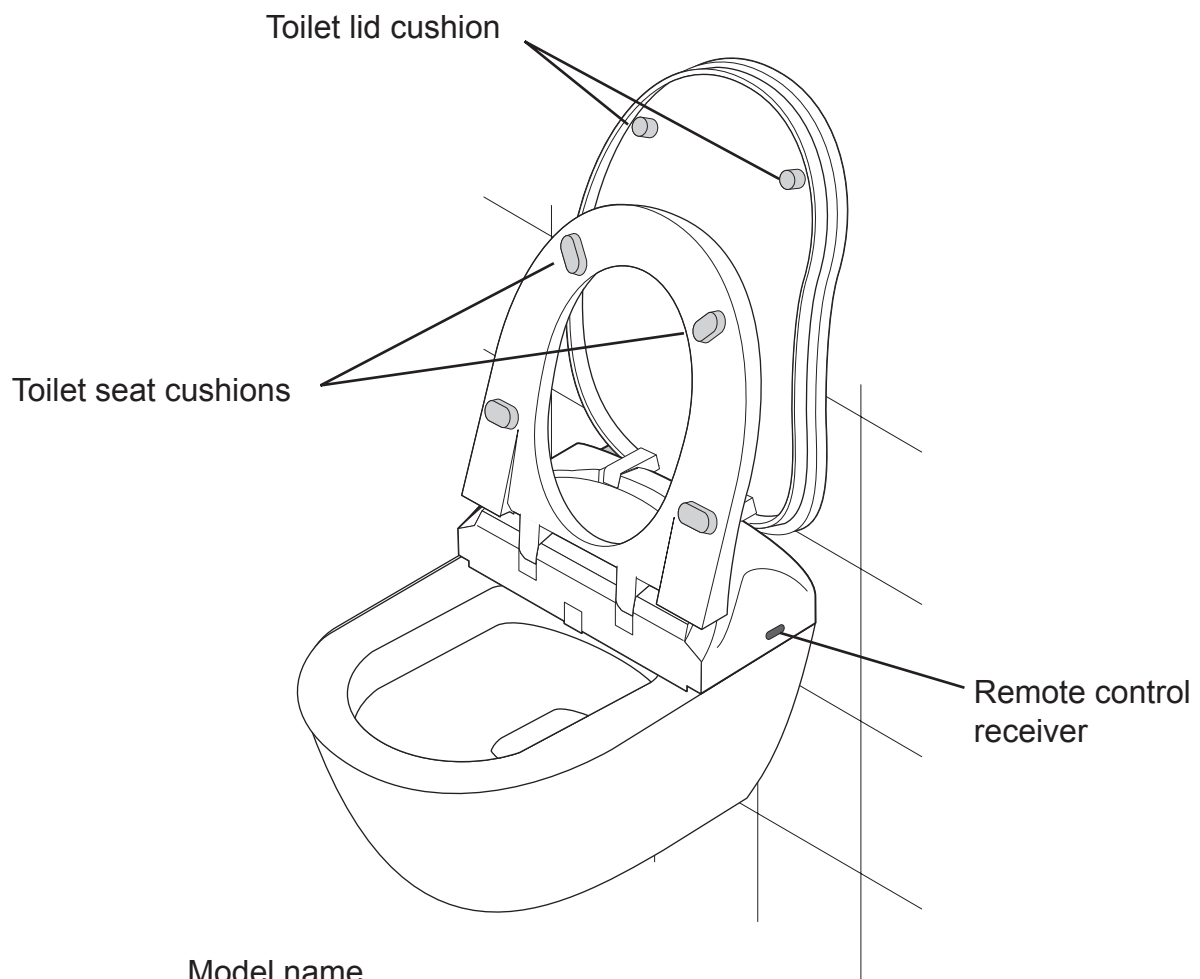
- If the supply cord is damaged, it must be replaced by the manufacturer, its service agent or similarly qualified persons in order to avoid a hazard.

## REPLACEMENT OF WATER HOSE

- The new hose-sets supplied with the appliance are to be used and that old hose-sets should not be reused.

# Part Names

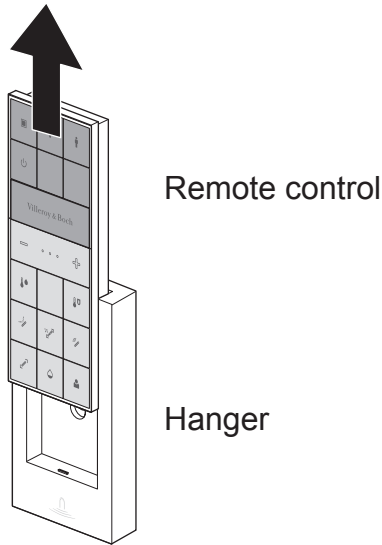




# Preparation (Using the product for the first time)

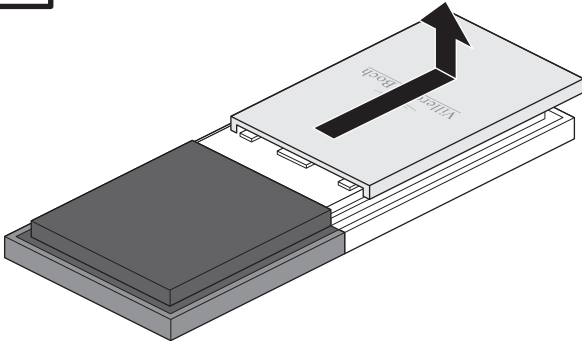
## 1 Insert the coin batteries

1. Remove the remote control from the hanger.

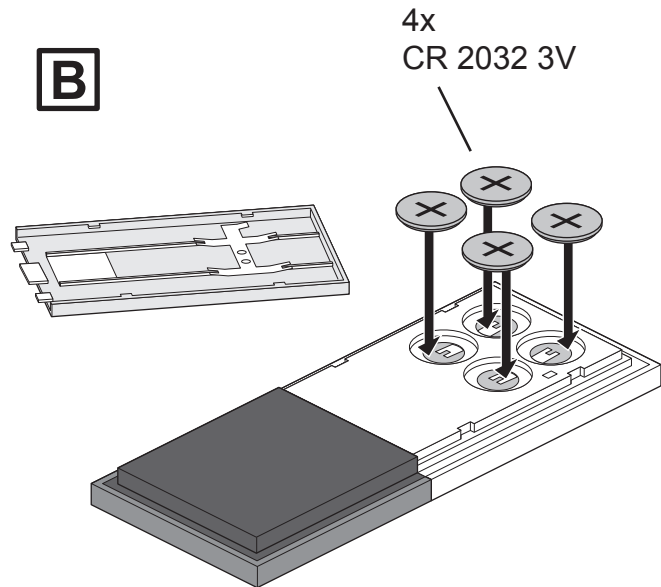


2. Open the battery cover and insert four CR 2032 3V coin batteries

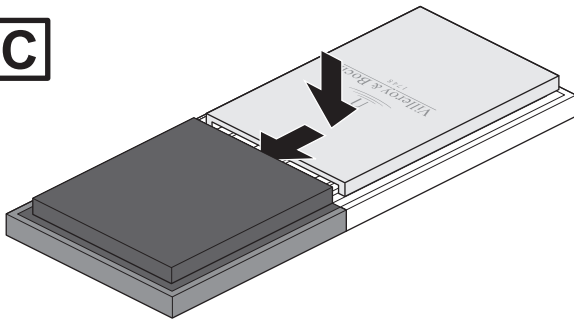
**A**



**B**



**C**



3. Mount the remote control in the hanger.

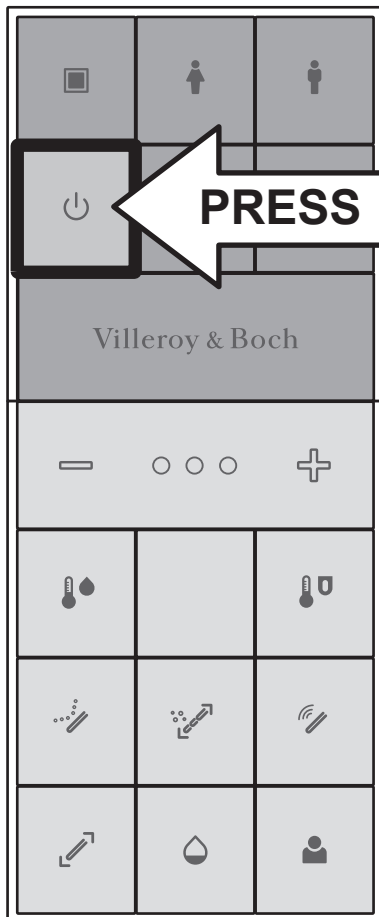
### About the coin batteries

- Use dry cell, alkaline coin batteries. Follow the instructions below to prevent the coin batteries from rupturing or leaking fluid.
- When replacing the coin batteries, use new coin batteries of the same brand.
- If you will not be using the remote control for a long time, remove the coin batteries.
- Do not use rechargeable coin batteries.

## 2 Turn on the power

Press power button on the remote control.

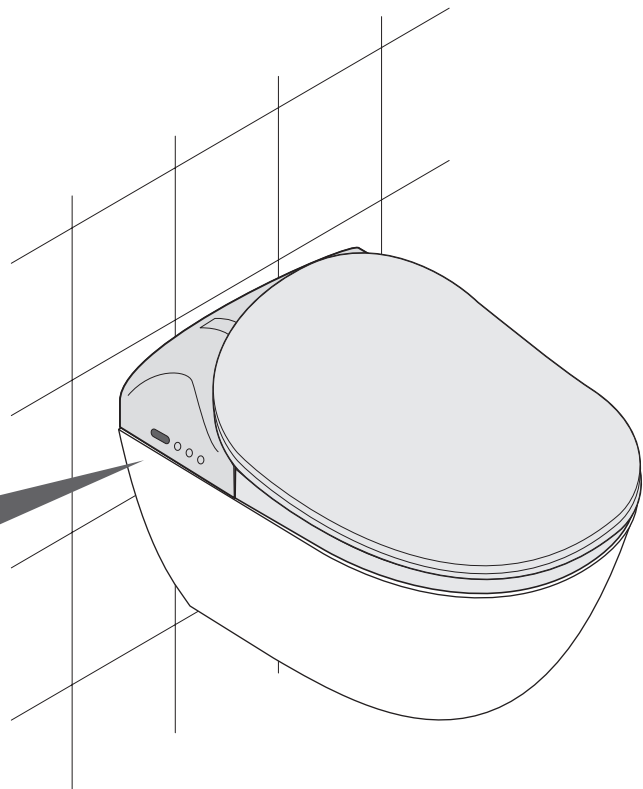
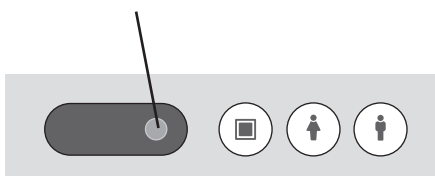
- Beep sound
- The Power LED goes ON
- VICLEAN<sup>®</sup> works according to setting condition



### Power Button

When VICLEAN<sup>®</sup> is on and you press the power button, VICLEAN<sup>®</sup> will then shut itself down and all its functions will be unavailable to the user until the power button is pressed again.

### Power LED

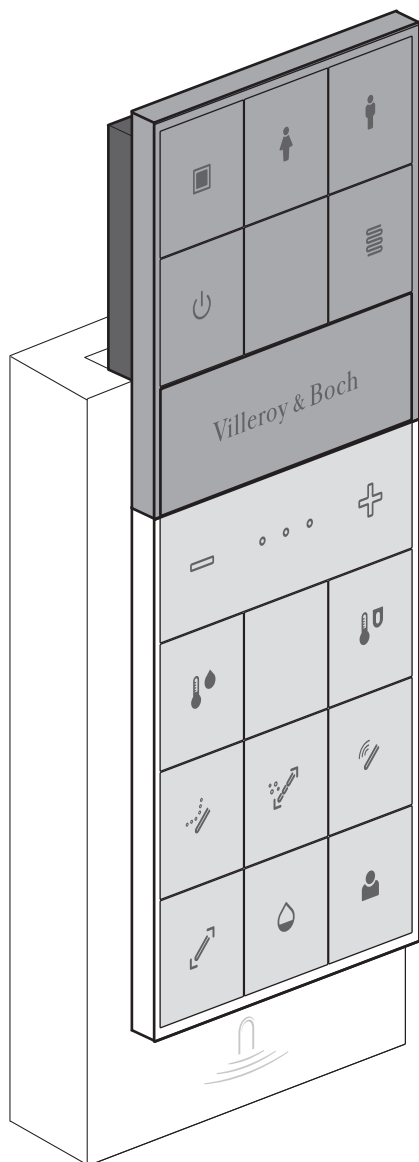


# Basic Operations (Remote control key overview)

VICLEAN<sup>®</sup> L4



Press a button on the remote control; a beep sounds when the main unit receives the signal



## Functions



Stop



Ladywash



Rearwash



On,Off



Heated seat



Controlling of seat temperature /  
air dryer temperature / water volume



Water  
temperature



Seat  
temperature



Panorama  
spray



Oscillating  
comfort wash



Pulsating  
wash
















Nozzle  
position



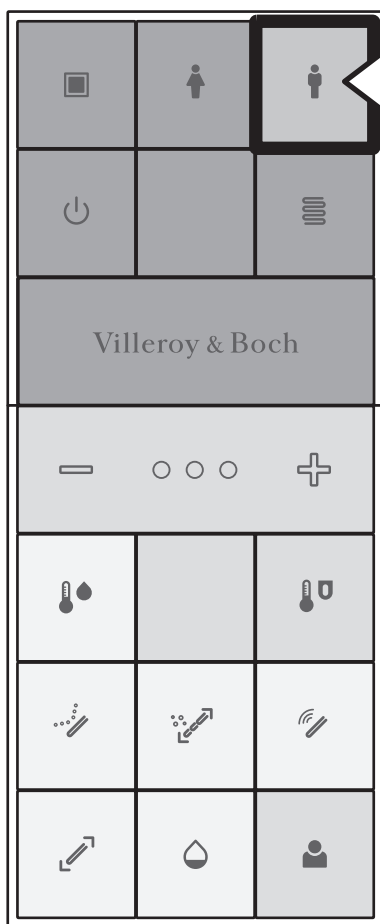
Water  
volume



User settings

	On,Off	●
	Stop	●
	Ladywash	●
	Rearwash	●
	Oscillating comfort wash	●
	Pulsating wash	●
	Panorama spray	●
	Water temperature	●
	Water volume	●
	Nozzle position	●
	Heated seat	●
	Seat temperature control	●
	User settings	●

# Rearwash



Pressing the „Rearwash“ button activates the rear wash.

- The nozzle comes out of VICLEAN<sup>®</sup> and sprays water on the user's rear.

Also, by activating this function, other features related to the function can be activated. The corresponding buttons can be found on the lower part of the remote.

**During operation, all related functions remain available to the user.**

**After some time without any activity, the LEDs go off.**

**The nozzle washes itself before and after the Rearwash has been performed.**

**The following features are ready to be used:**

As long as the „Rearwash“ function is running, the user should be able to change setting after setting by pressing the corresponding buttons.

e.g. After you change the „Nozzle position“, you can adjust the „Water volume“.



Water temperature  
(Page 25)



Panorama spray  
(Page 25)



Oscillating comfort wash  
(Page 26)



Pulsating wash  
(Page 27)



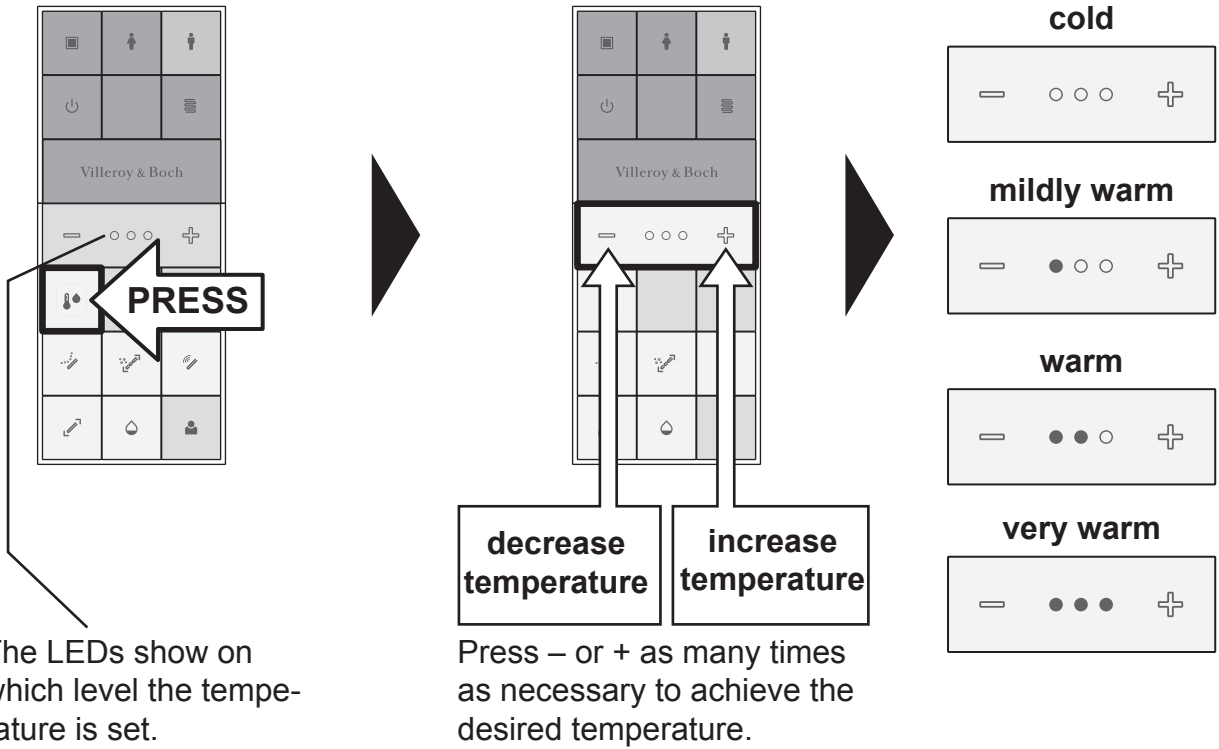
Nozzle position  
(Page 26)



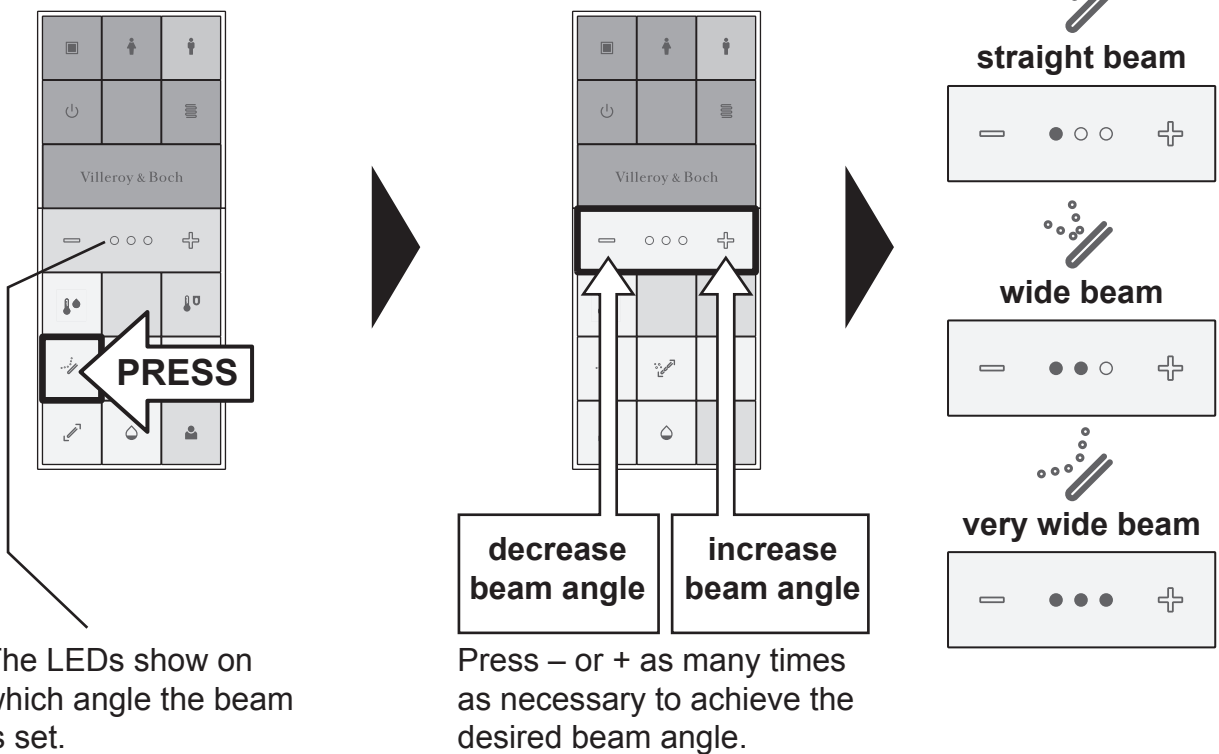
Water volume  
(Page 27)



## Water Temperature

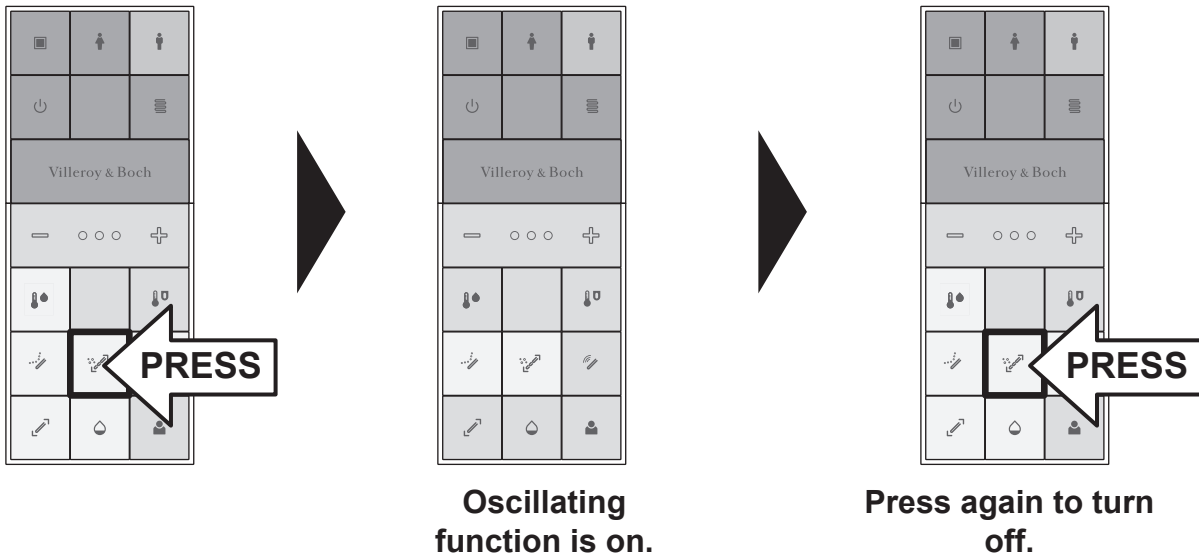


## Panorama Spray

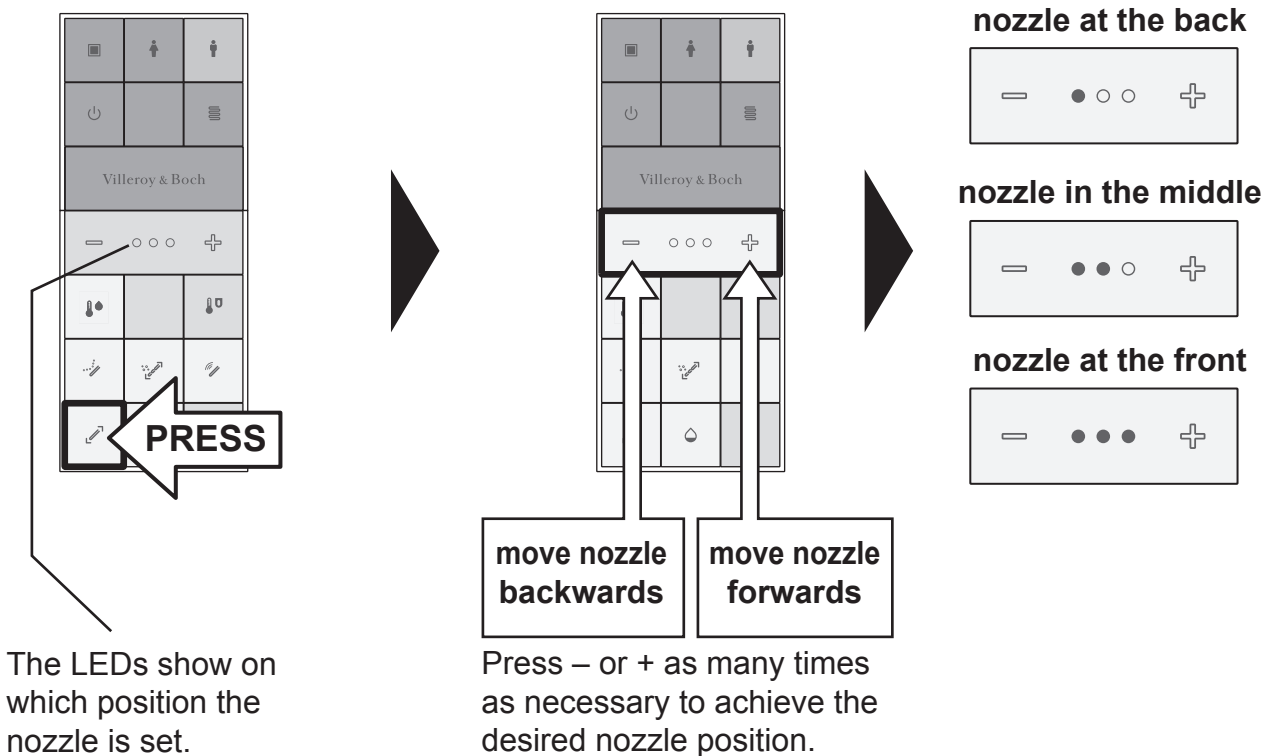


# Rearwash

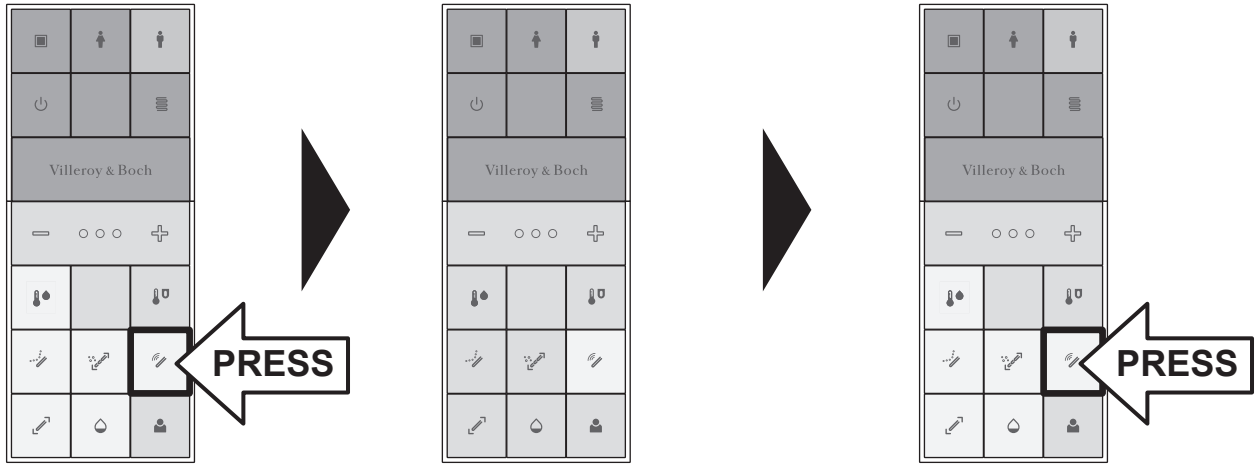
## Oscillating Comfort Wash



## Nozzle Position



## Pulsating Wash

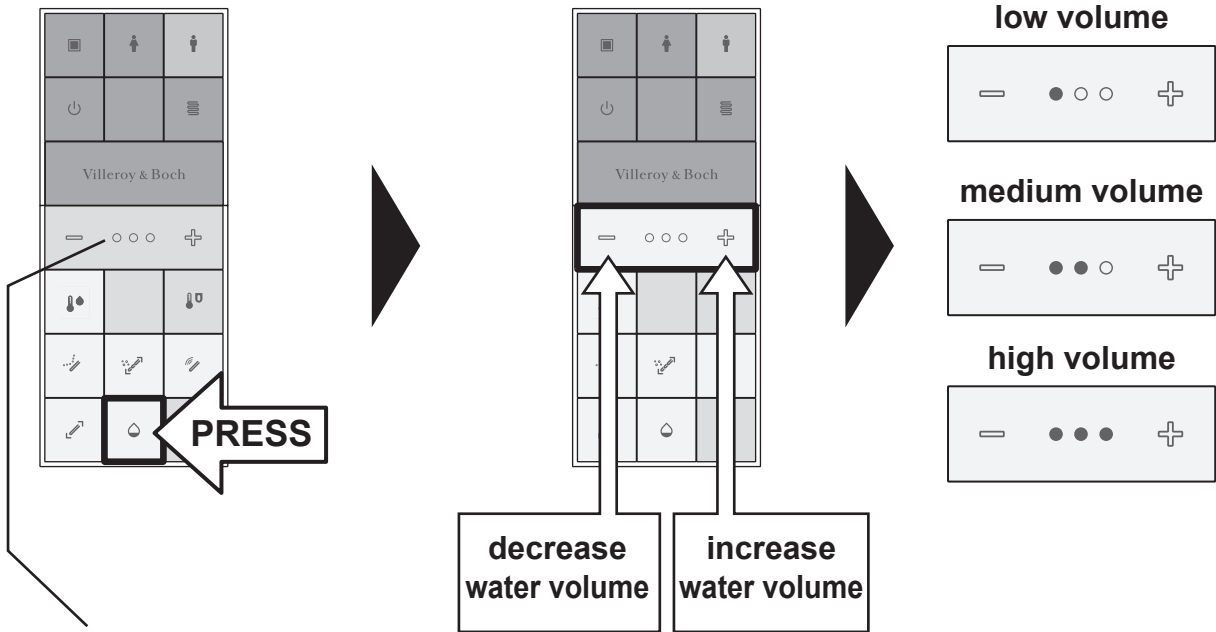


**Pulsating  
massage is on.**

**Press again to turn  
off.**

The spray intensity varies for a pleasant washing experience.

## Water Volume



The LEDs show on which volume level the beam is set.

**decrease  
water volume**      **increase  
water volume**

Press – or + as many times as necessary to achieve the desired volume.

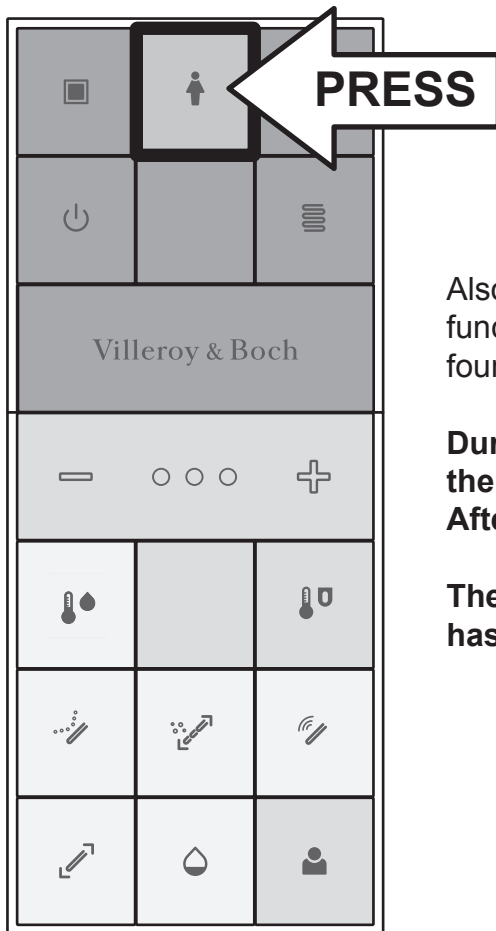
## STOP Rearwash

In order to stop the Rearwash, just press the „STOP“ button.

This works at any moment when the „Rear Wash“ function is running.



# Ladywash



Pressing the „Ladywash“ button activates the lady wash.

- The nozzle comes out of VICLEAN<sup>®</sup> and sprays water on the female's front intimate zone.

Also, by activating this function, other features related to the function can be activated. The corresponding buttons can be found on the lower part of the remote.

**During operation, all related functions remain available to the user.**

**After some time without any activity, the LEDs go off.**

**The nozzle washes itself before and after the Ladywash has been performed.**

The following features are ready to be used:



Water temperature  
(Page 29)



Panorama spray  
(Page 29)



Oscillating comfort wash  
(Page 30)



Pulsating wash  
(Page 31)



Nozzle position  
(Page 30)

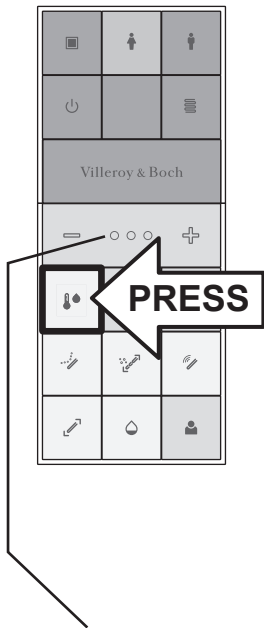


Water volume  
(Page 31)

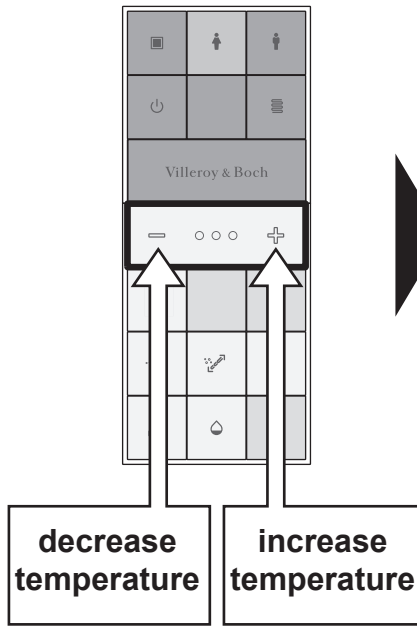
As long as the „Ladywash“ function is running, the user should be able to change setting after setting by pressing the corresponding buttons.

e.g. After you change the „Nozzle position“, you can adjust the „Water volume“.

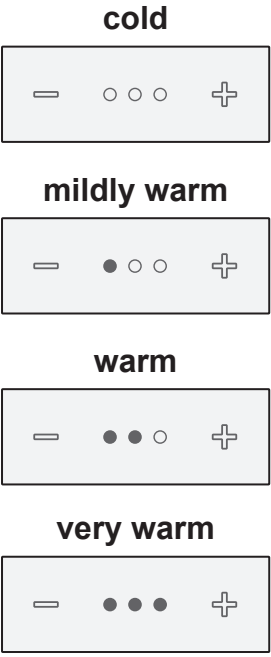
## Water Temperature



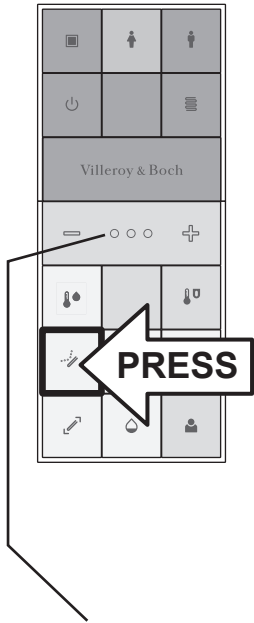
The LEDs show on which level the temperature is set.



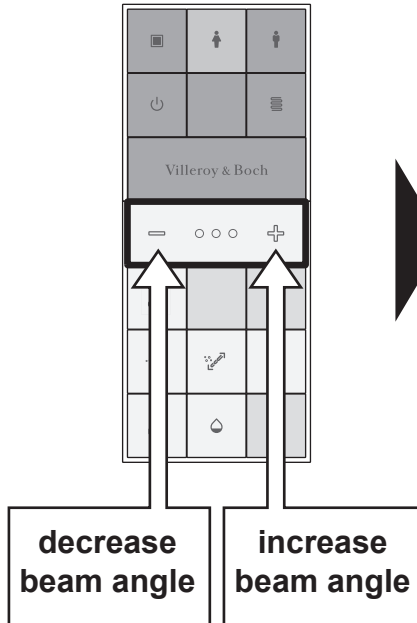
Press – or + as many times as necessary to achieve the desired temperature.



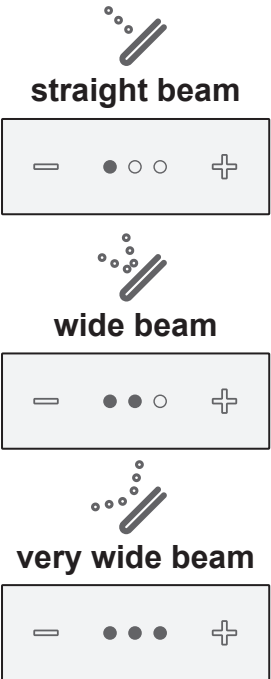
## Panorama Spray



The LEDs show on which angle the beam is set.

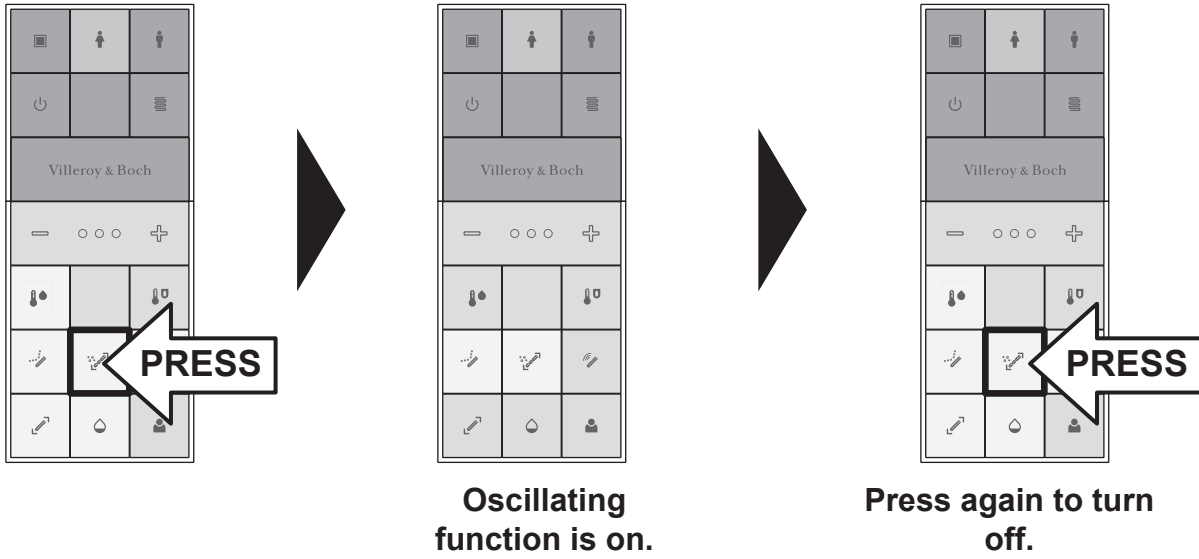


Press – or + as many times as necessary to achieve the desired beam angle.

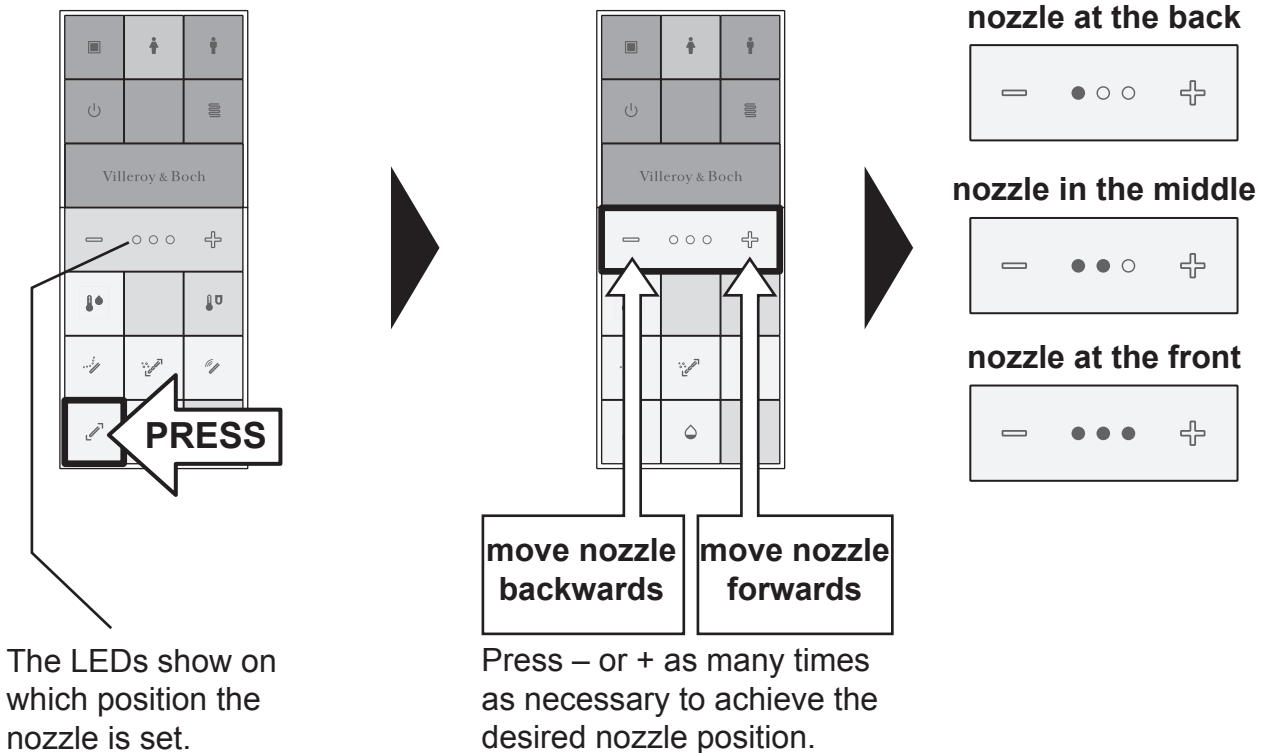


# Ladywash

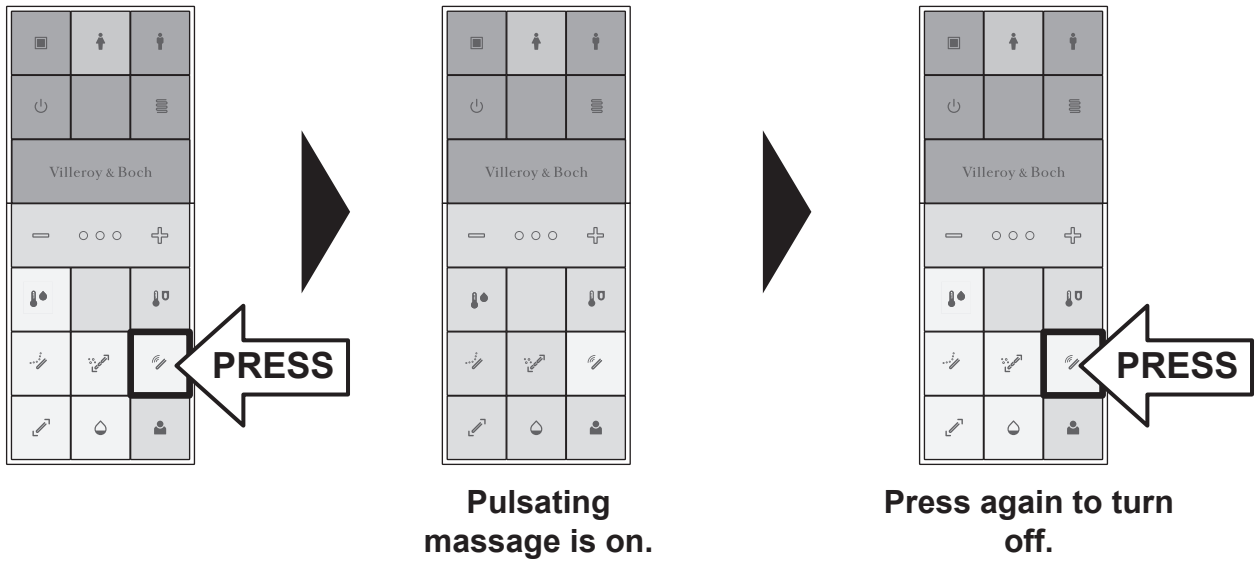
## Oscillating Comfort Wash



## Nozzle Position

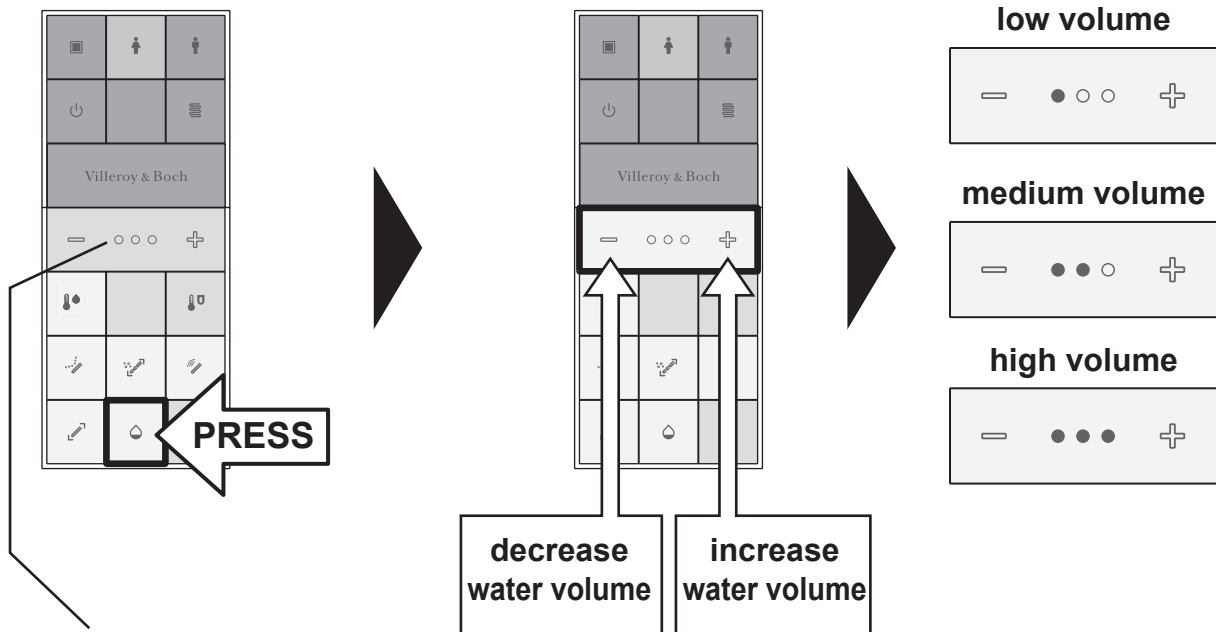


## Pulsating Wash



The spray intensity varies for a pleasant washing experience.

## Water Volume



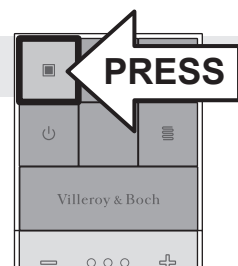
The LEDs show on which volume level the beam is set.

Press – or + as many times as necessary to achieve the desired volume.

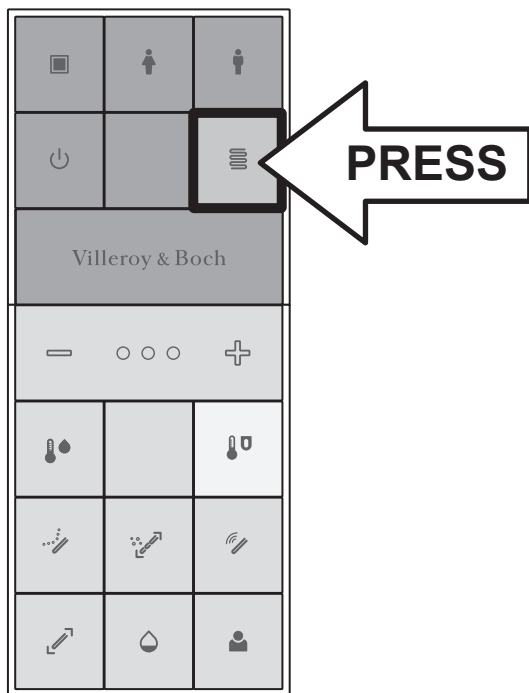
## STOP Ladywash

In order to stop the Ladywash, just press the „STOP“ button.

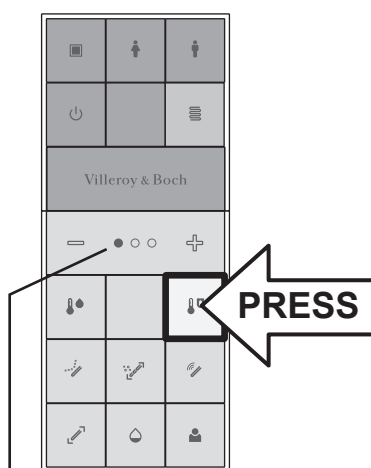
This works at any moment when the „Ladywash“ function is running.



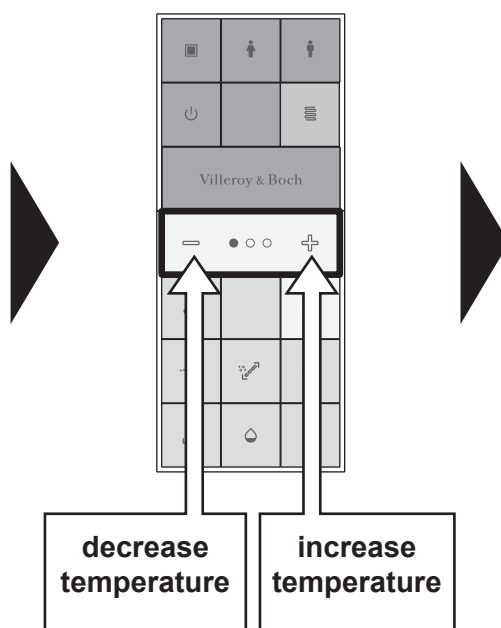
# Heated Seat



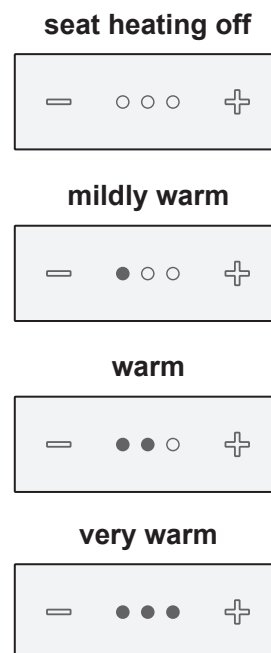
Pressing the „Heated Seat“ button activates the seat temperature regulation.



The LEDs show on which level the temperature is set.



Press – or + as many times as necessary to achieve the desired seat temperature.



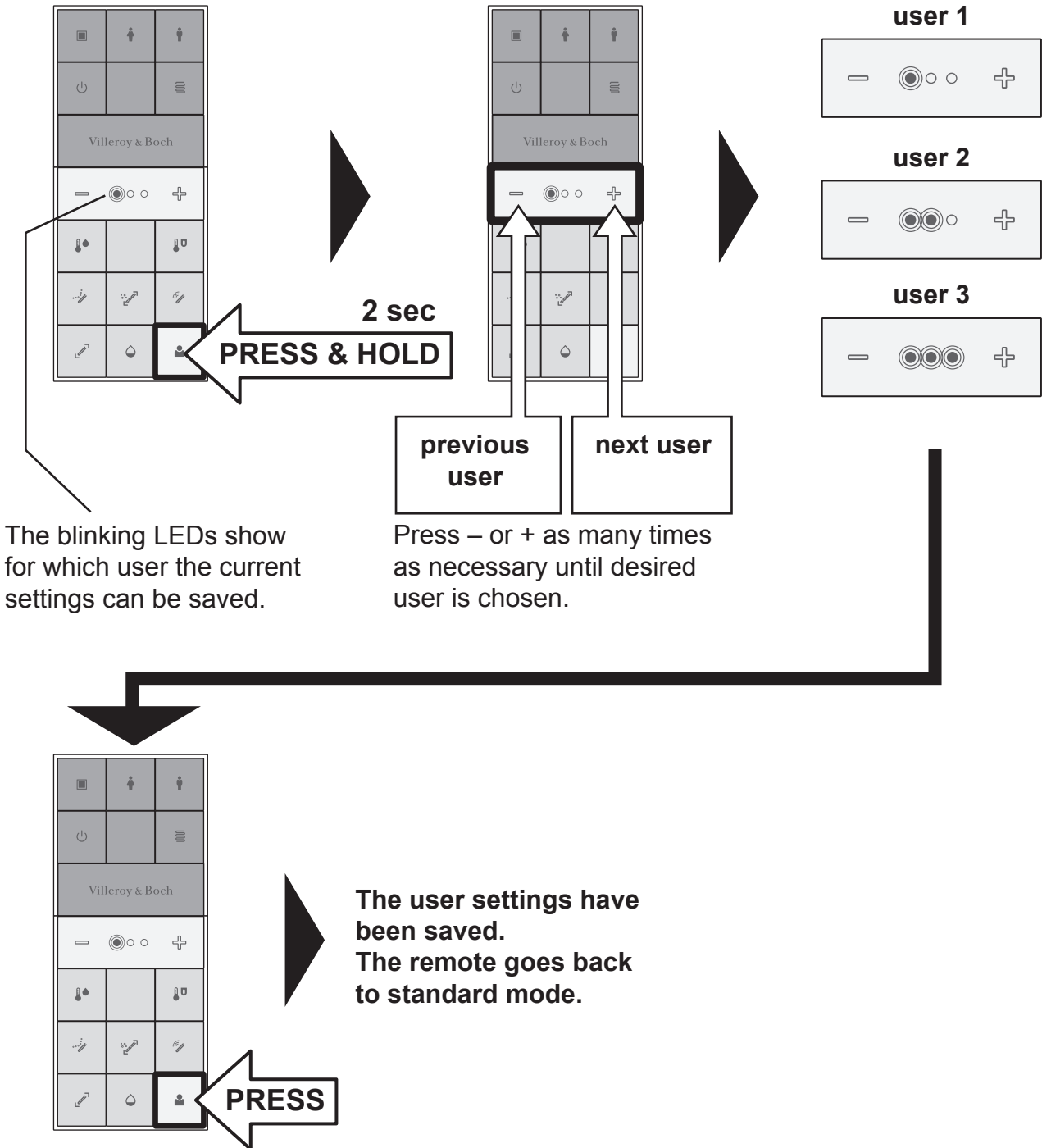
The seat heater remains as set until it is changed by any user.



# User Settings

Once you have used VICLEAN<sup>®</sup> and changed its settings according to your comfort, you can save those settings into any of the three available user spaces. This way, you will not need to readjust VICLEAN<sup>®</sup> 's settings the next time you use it.

## Programming User Settings

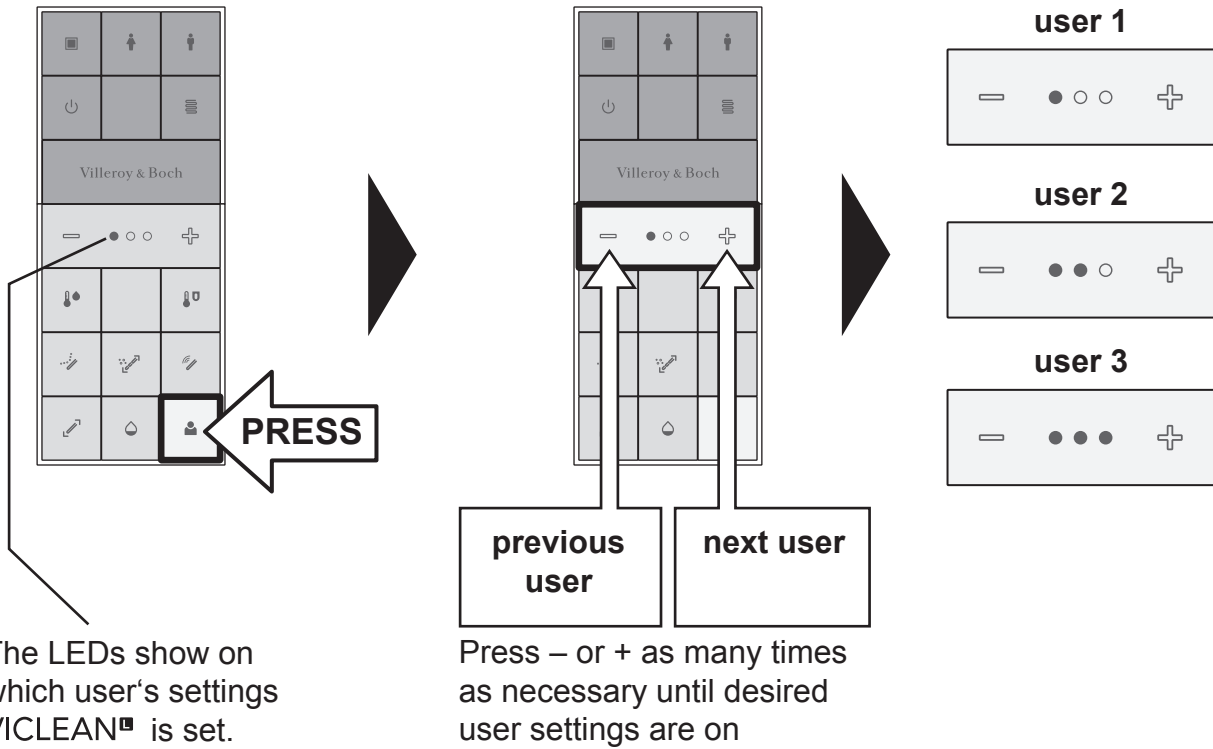


## Saving user settings for another user

In order to save the settings of another user, first change the settings during use and start this process again by pressing and holding the user settings button.

# User Settings

## Picking the User



### The following settings can be saved:



Water temperature



Seat temperature



Panorama spray



Oscillating comfort wash



Pulsating wash



Nozzle position

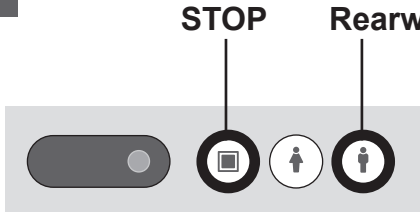


Water volume

# Side Panel Functions

## Night Light ON

- 1 Press and hold „STOP“ and „Rearwash“ on side panel.



- VICLEAN<sup>®</sup> beeps and the side panel LED blinks.

- 2 Press „STOP“ on remote control. VICLEAN<sup>®</sup> beeps twice.

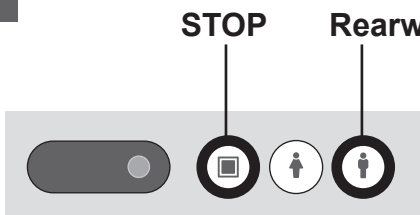


Wait 10 seconds until the blinking stops.

**Light will turn ON.**

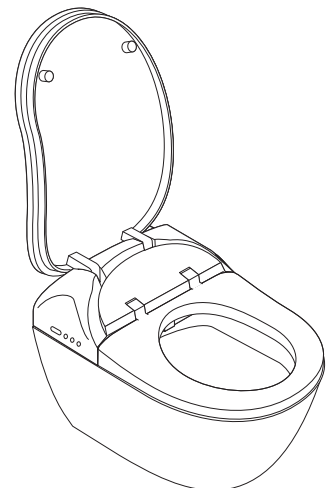
## Night Light OFF

- 1 Press and hold „STOP“ and „Rearwash“ on side panel.



- VICLEAN<sup>®</sup> beeps and the side panel LED blinks.

- 2 Press „STOP“ on remote control. VICLEAN<sup>®</sup> beeps once.



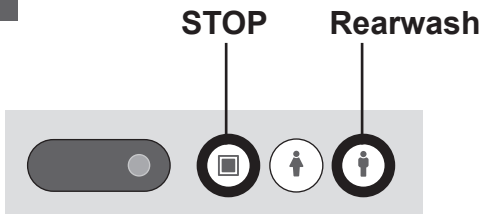
Wait 10 seconds until the blinking stops.

**Light will turn OFF.**

# Side Panel Functions

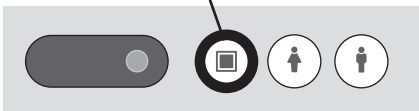
## Silent Mode ON

- 1 Press and hold „STOP“ and „Rearwash“ on side panel.



- VICLEAN<sup>®</sup> beeps and the side panel LED blinks.

- 2 Press „STOP“ on side panel. VICLEAN<sup>®</sup> beeps twice.

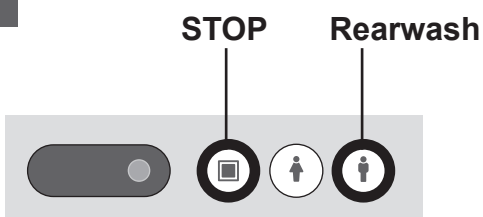


Wait 10 seconds until the blinking stops.

**Silent Mode will turn ON.**

## Silent Mode OFF

- 1 Press and hold „STOP“ and „Rearwash“ on side panel.



- VICLEAN<sup>®</sup> beeps and the side panel LED blinks.

- 2 Press „STOP“ on side panel. VICLEAN<sup>®</sup> beeps once.

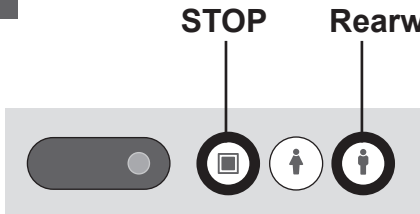


Wait 10 seconds until the blinking stops.

**Silent Mode will turn OFF.**

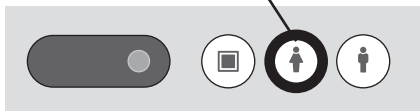
## Seat Sensor ON

- 1 Press and hold „STOP“ and „Rearwash“ on side panel.



- VICLEAN<sup>®</sup> beeps and the side panel LED blinks.

- 2 Press „Ladywash“ on side panel. VICLEAN<sup>®</sup> beeps twice.

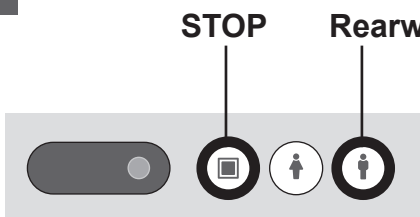


Wait 10 seconds until the blinking stops.

**Seat sensor will turn ON.**

## Seat Sensor OFF

- 1 Press and hold „STOP“ and „Rearwash“ on side panel.



- VICLEAN<sup>®</sup> beeps and the side panel LED blinks.

- 2 Press „Ladywash“ on side panel. VICLEAN<sup>®</sup> beeps once.



Wait 10 seconds until the blinking stops.

**Seat sensor will turn OFF.**



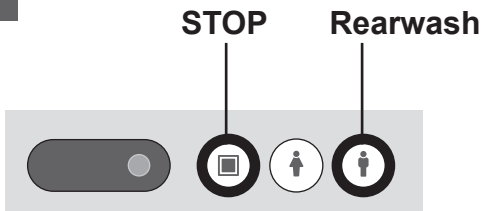
## CAUTION

Do not activate the Rearwash or the Ladywash while the sensor is off, otherwise water will be spilled on the floor.

# Side Panel Functions

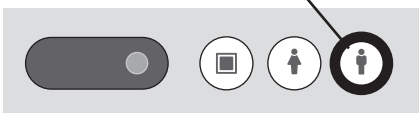
## ECO Mode ON

- 1 Press and hold „STOP“ and „Rearwash“ on side panel.



- VICLEAN<sup>®</sup> beeps and the side panel LED blinks.

- 2 Press „Rearwash“ on side panel. VICLEAN<sup>®</sup> beeps twice .



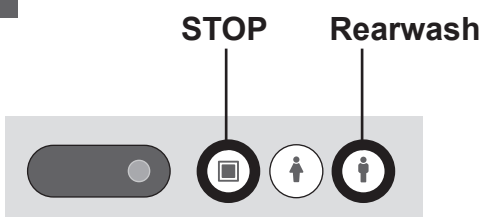
Wait 10 seconds until the blinking stops.

**ECO Mode will turn ON.**

If VICLEAN<sup>®</sup> does not detect a user for approximately 5 seconds, the seat temperature is set to 28°C in order to reduce energy consumption.

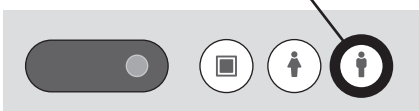
## ECO Mode OFF

- 1 Press and hold „STOP“ and „Rearwash“ on side panel.



- VICLEAN<sup>®</sup> beeps and the side panel LED blinks.

- 2 Press „Rearwash“ on side panel. VICLEAN<sup>®</sup> beeps once.



Wait 10 seconds until the blinking stops.

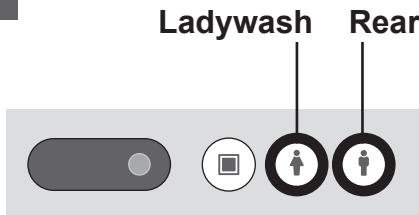
**ECO Mode will turn OFF.**

The seat heater will be kept warm even while VICLEAN<sup>®</sup> is not being used.

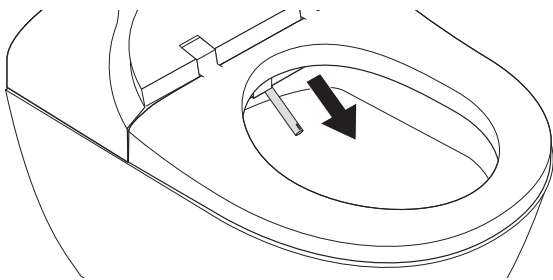
## Nozzle Cleaning (Perform monthly)

Before and after VICLEAN<sup>®</sup>'s rearwash or ladywash are activated, an automatic cleansing of the nozzle is performed. However, it is recommended that you clean the nozzle manually on a regular basis.

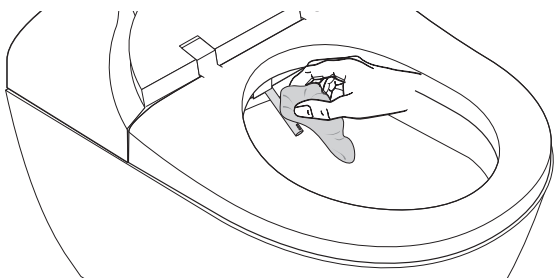
- 1** Press „Rearwash“ and „Ladywash“ for 2 seconds.



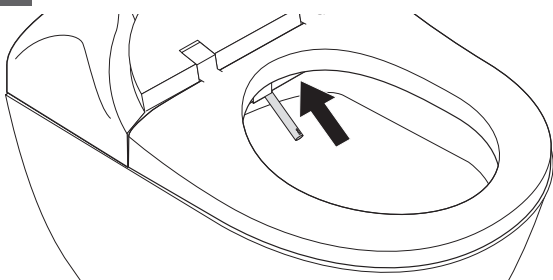
- The nozzle will fully extend for 2 minutes.



- 2** Wipe with a soft, wet cloth.
- Do not pull, push or press the nozzle with excessive force. (May cause damage or malfunction.)



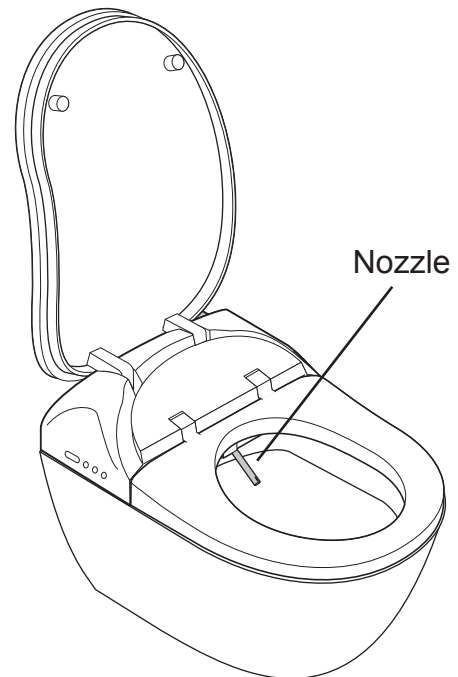
- 3** After 2 minutes the nozzle retracts itself automatically.



Soft cloth soaked in water



- Toilet paper
- Dry cloth
- Nylon scrubbing pads (May cause damage.)



## Cleaning VICLEAN<sup>®</sup> (Perform monthly)

**Apply a neutral detergent to a soft cloth or sponge and clean the product.**

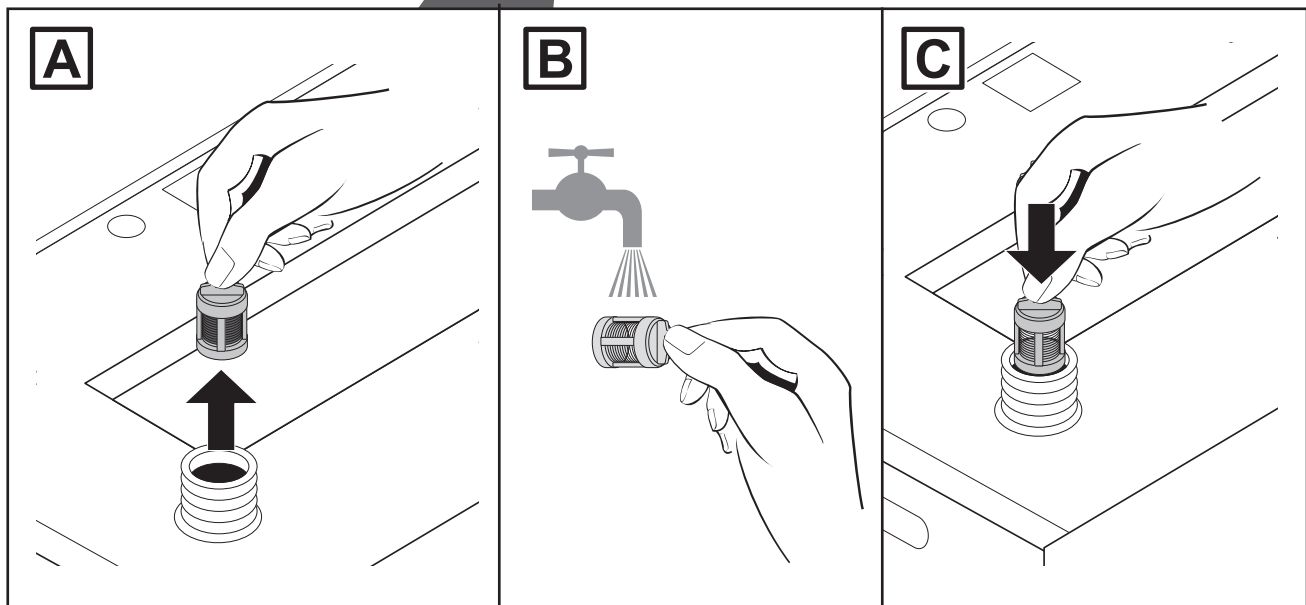
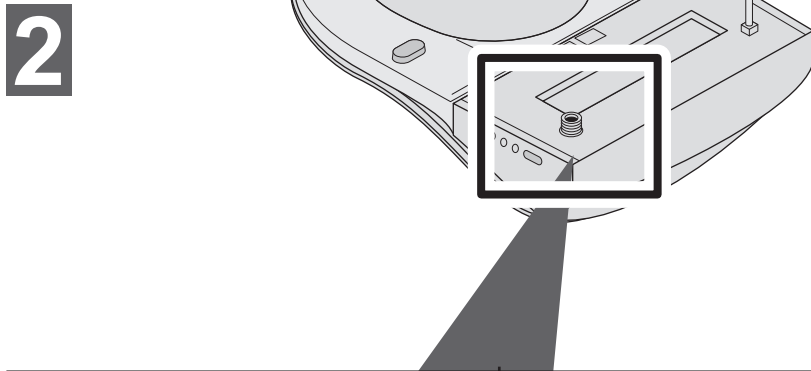
- Failing to do so may result in deformation or product damage.



Do not use thinner or benzene.  
Do not clean the product using a coarse scrub or abrasive detergent.

# Water Filter Cleaning

**1** Dismantle VICLEAN<sup>®</sup> (page 53)



**3** Install VICLEAN<sup>®</sup> (page 45)



# Installation Guide

Before installation, be sure to read this installation manual and the separate safety precautions sheet. Mount parts properly according to the directions.



## Precautions before installation

- Turn on the electricity and water supply for the product only after all other installation work is complete.
- Do not damage the connection components on the water supply hose
- The water supply pressure range is 0.11MPa <dynamic> - 0.68MPa <static> in Europe and Russia, and 0.05MPa <dynamic 10L/min or more> - 0.75MPa (static) in China, Asia, Oceania. Use the unit within the said pressure range.
- The temperature of the water supply should be within a range of 0 to 35°C. Make sure the temperature is within this range.
- Working ambient temperature is within the range of 5 to 35°C. Make sure the temperature is within this range.
- If the water shutoff valve is supplied by your installer, be sure to use it. Do not use any other water supply hose than the one provided by a professional.  
\*Because a water flow test is conducted on each product at the factory, water may remain inside the product. This water does not indicate a problem with the product.

## Symbols and their meanings



Task that must be conducted by the installer.



Actions that VICLEAN<sup>®</sup> should perform automatically.

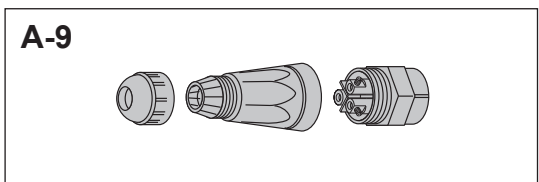
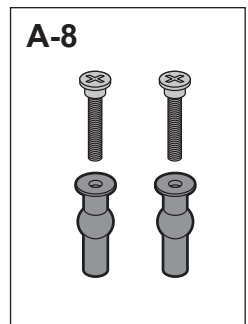
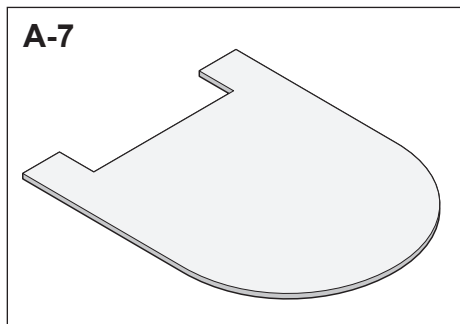
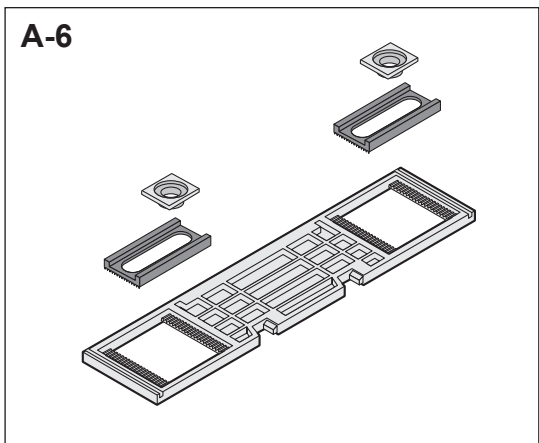
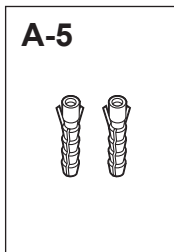
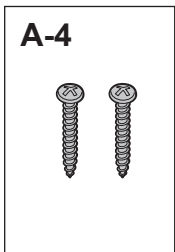
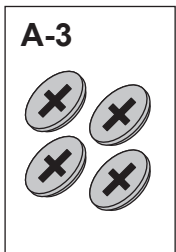
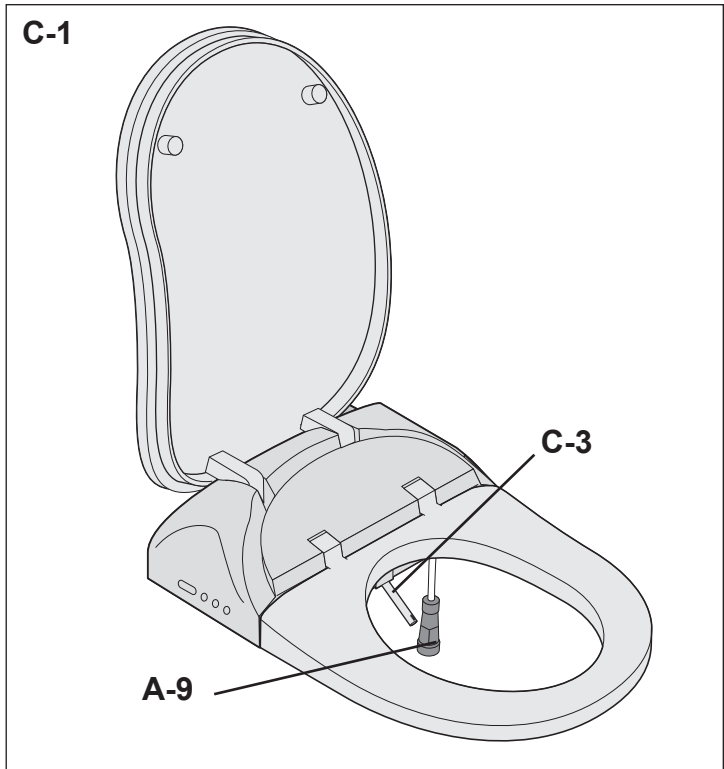
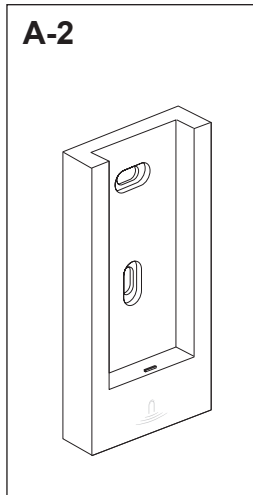
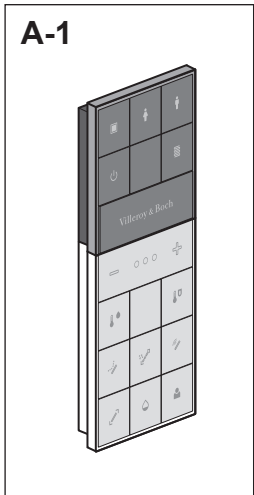


Visual confirmation required.

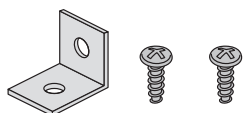


Work flow direction.

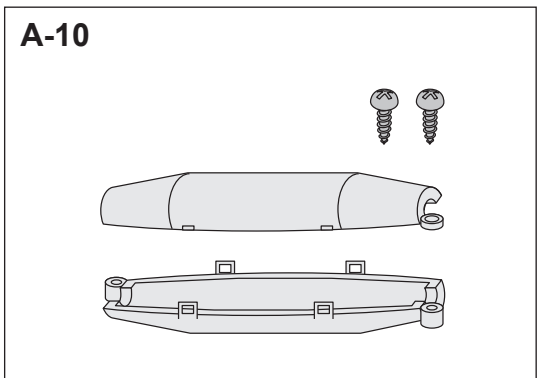
# Included Parts



**Anti-theft parts for remote control**



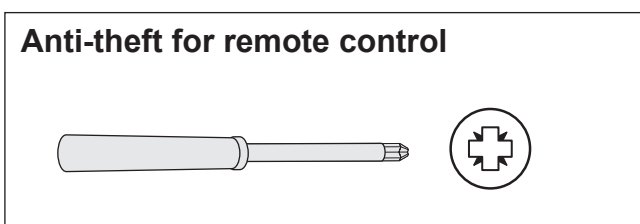
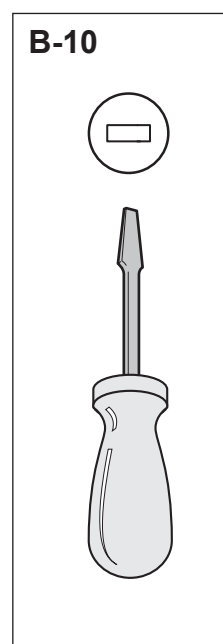
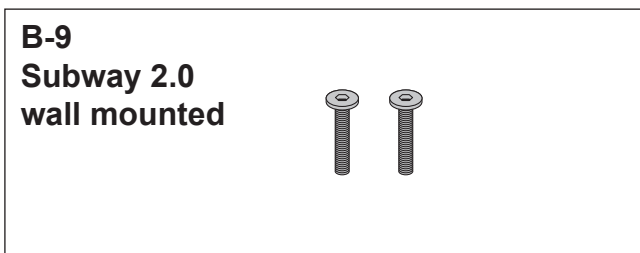
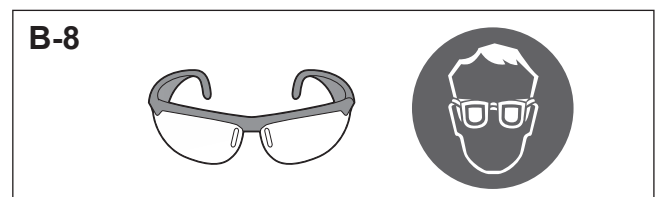
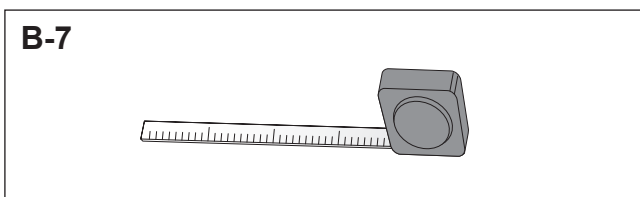
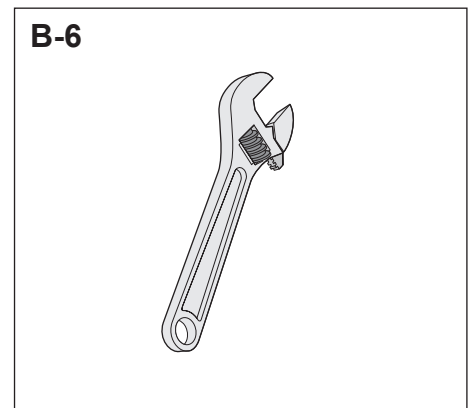
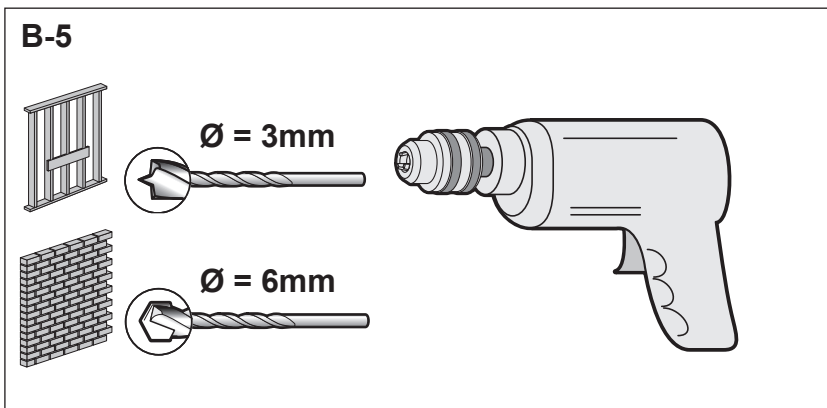
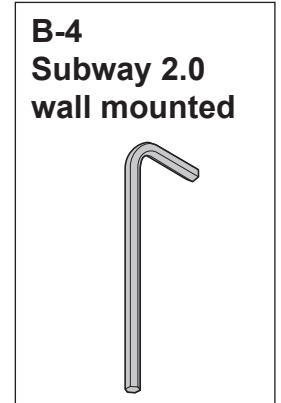
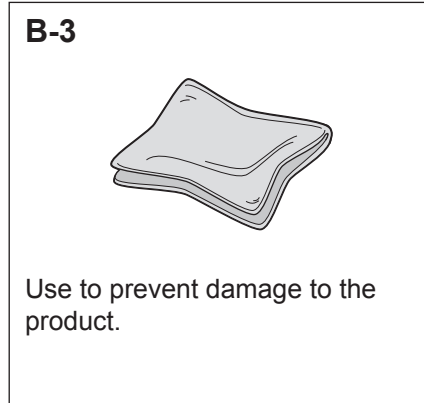
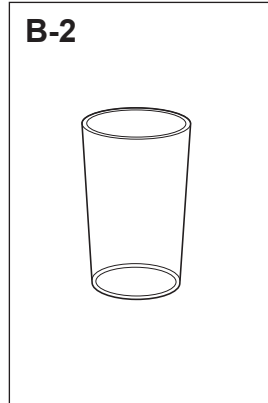
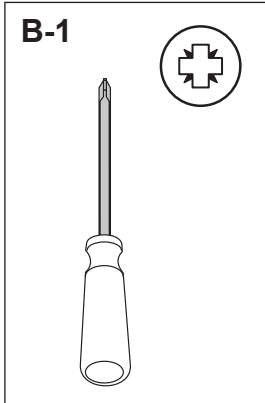
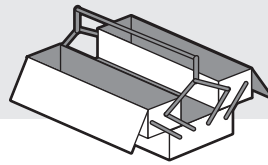
Please ask home owner if they would like the remote control anti-theft kit installed before starting installation. Please leave the anti-theft kit with the owner if it is not installed.



The power plug (A-9) shape, power cord length, voltage, rated power consumption vary depending on the version of the product. Check the appropriate type and then wire and install the product correctly.

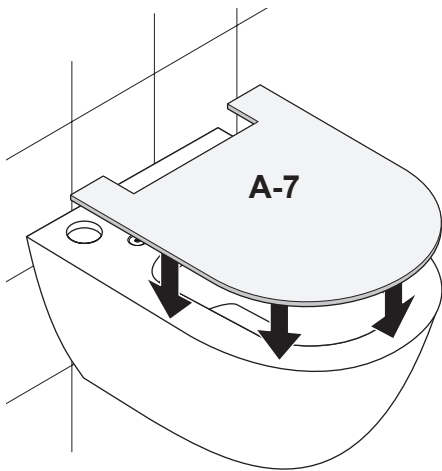
Prepare a position in advance that conforms to the regulations in your country.

# Required Items



# Installation Procedure

**1**

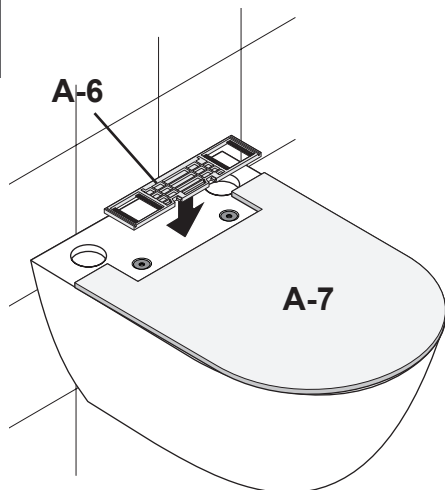


**1A**

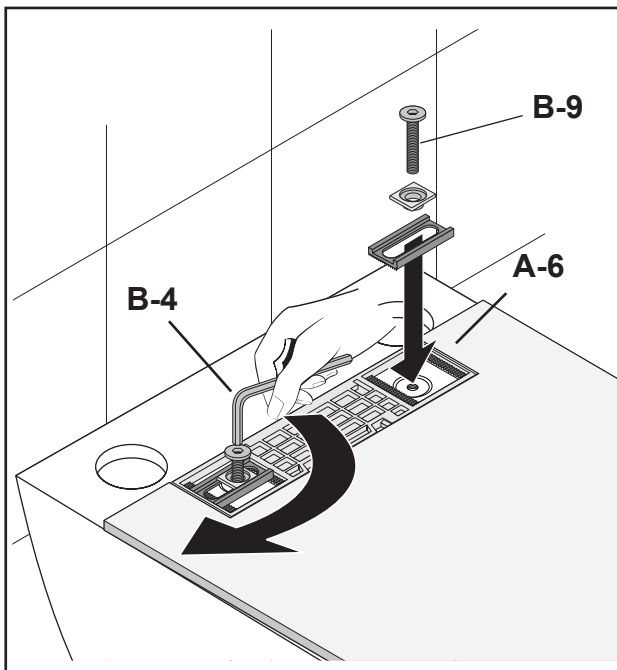
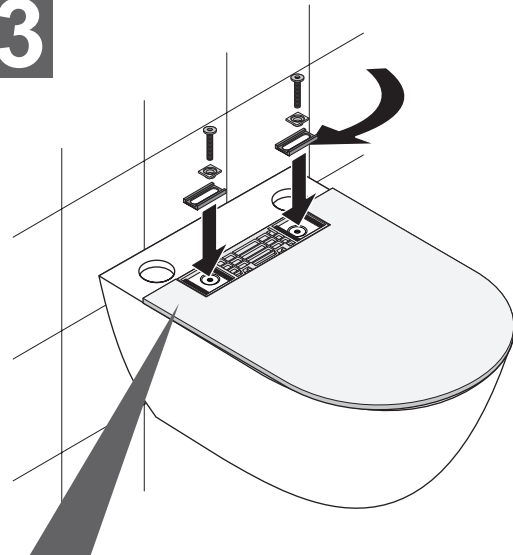
Subway floor standing  
Architectura floor standing



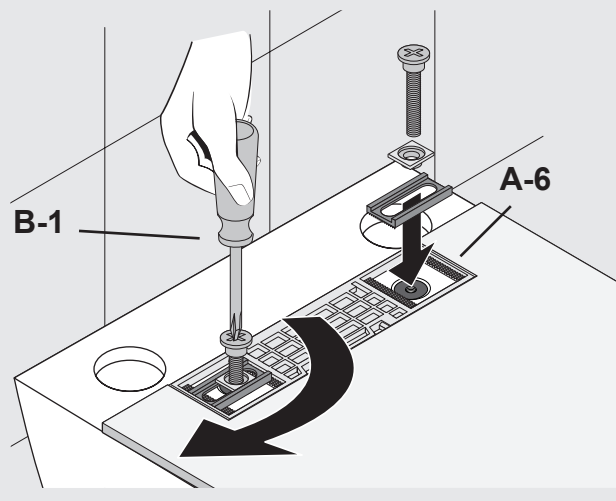
**2**



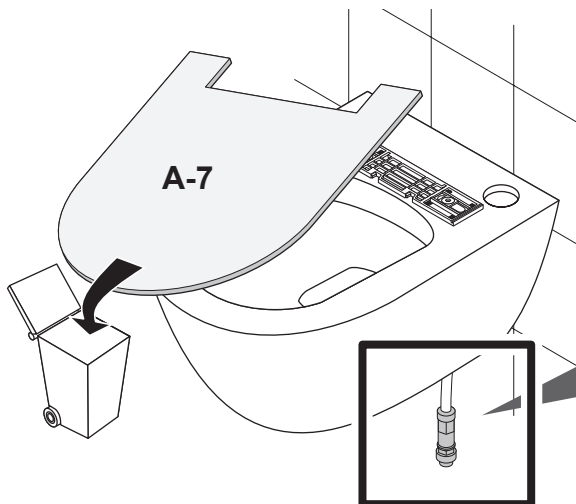
**3**



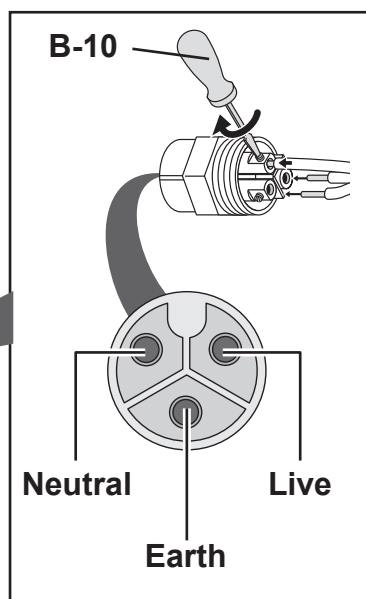
Subway floor standing  
Architectura floor standing  
Do not exceed 7 kg<sub>F</sub>



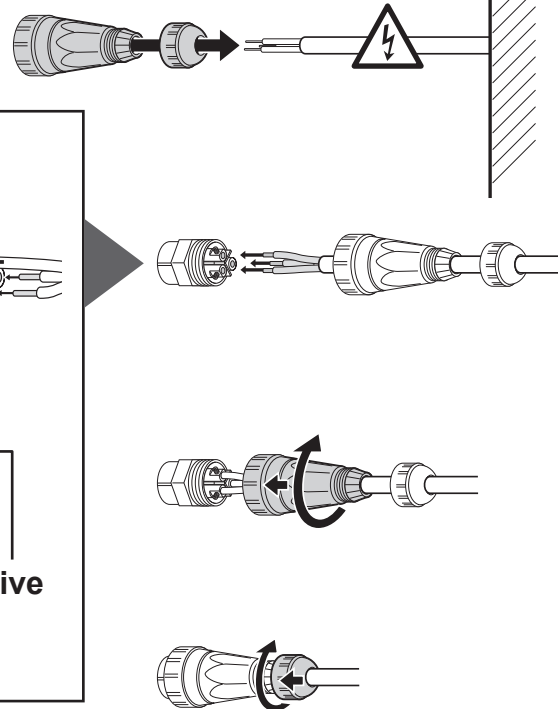
**4**



**5**



A-9



**6**

EN	Installation procedure	SP	Manual de instalación
DE	Installationsanleitung	NL	Installatiehandleiding
FR	Notice de montage	IT	Istruzioni di installazione

**1**

**2**

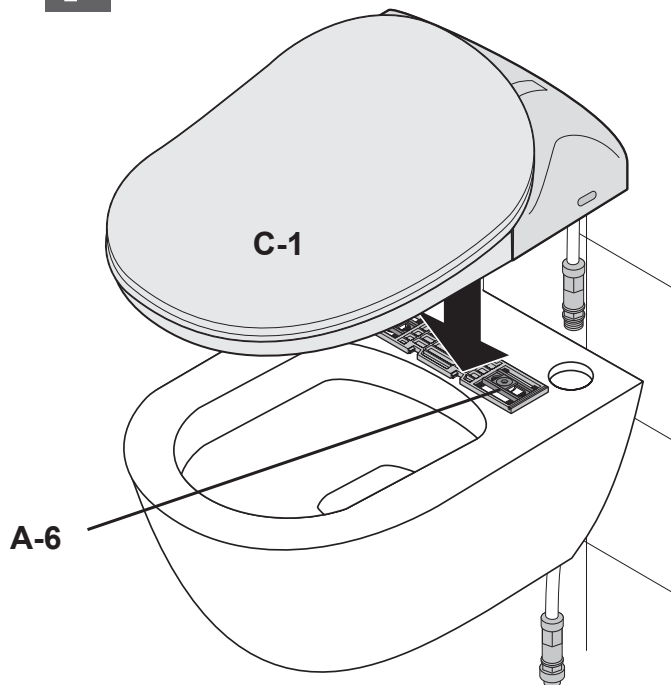
**3**

**3A**

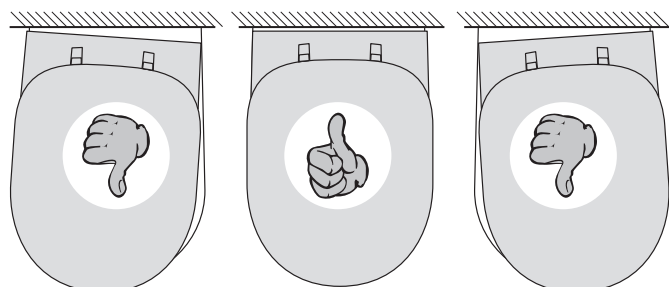
EN	Subway floor standing
DE	Architectura floor standing
FR	Architectura sur pied
SP	Subway de pie
NL	Architectura de pie
RU	Subway staand
IT	Architectura staand
RU	Subway a pavimento
RU	Architectura a pavimento
RU	Subway напольный
RU	Architectura напольный

**7**

Insert C-1 into A-6 until a click sound is heard.



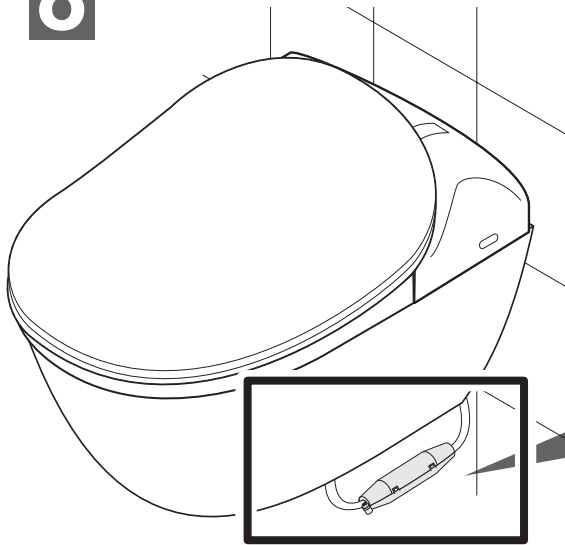
Installation



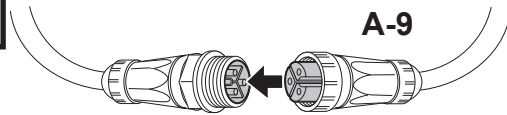
Please refer to the connection manuals in order to find out more about the water and electric connections.

# Installation Procedure

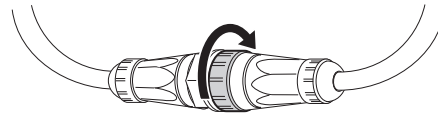
**8**



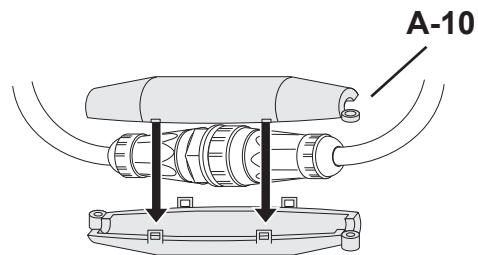
**A**



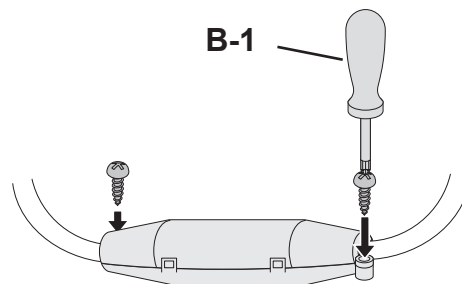
**B**



**C**



**D**

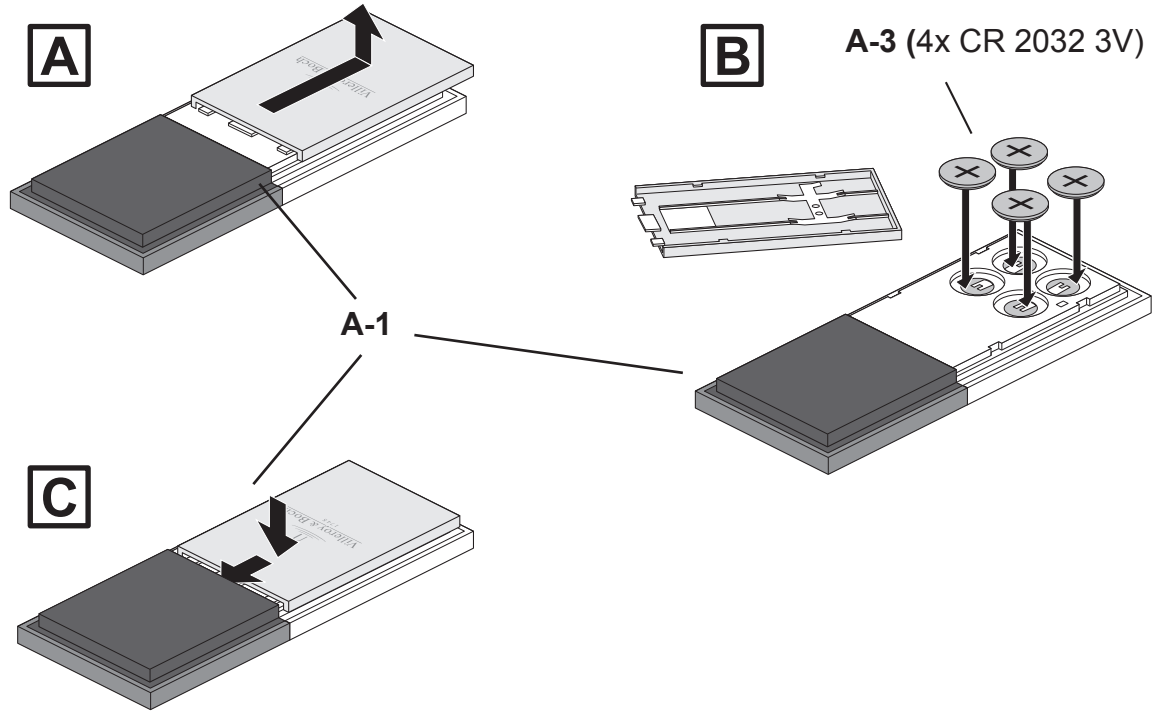


**9**

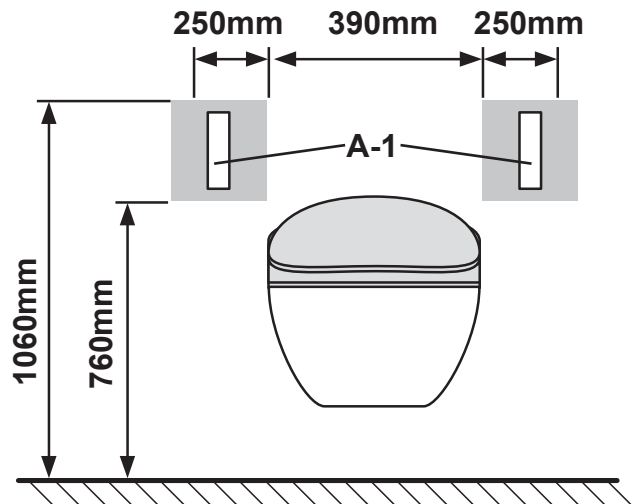
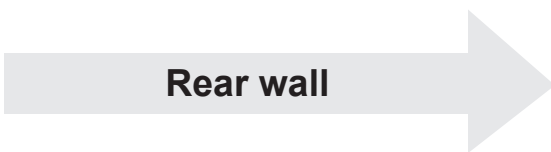
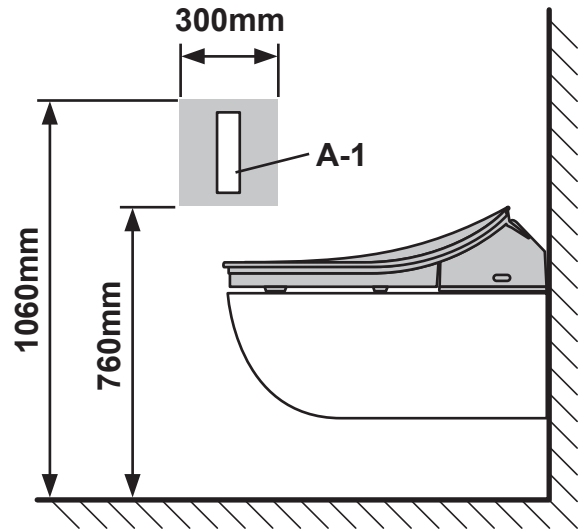
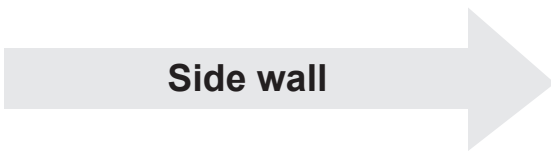


# Remote Control Mounting

**10**



**11**

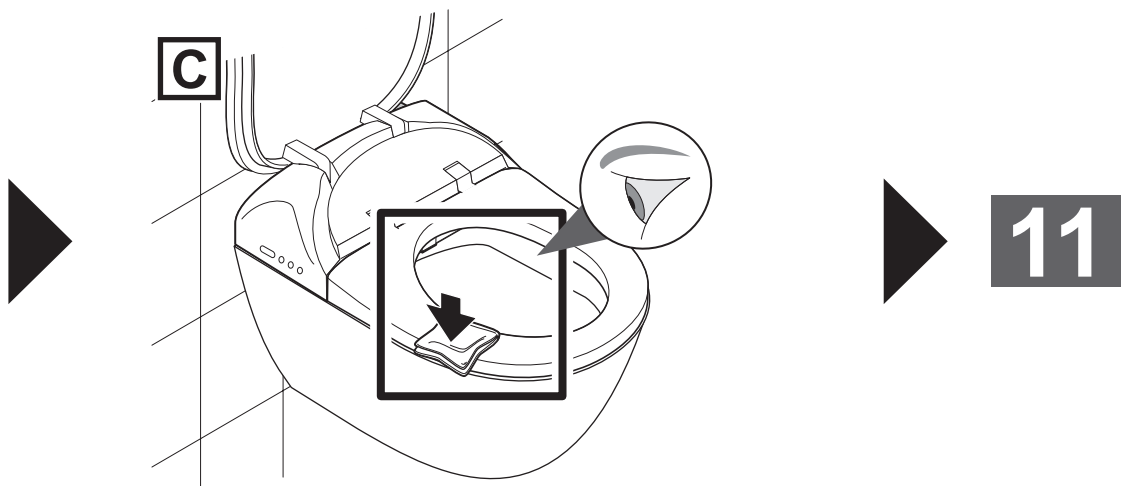
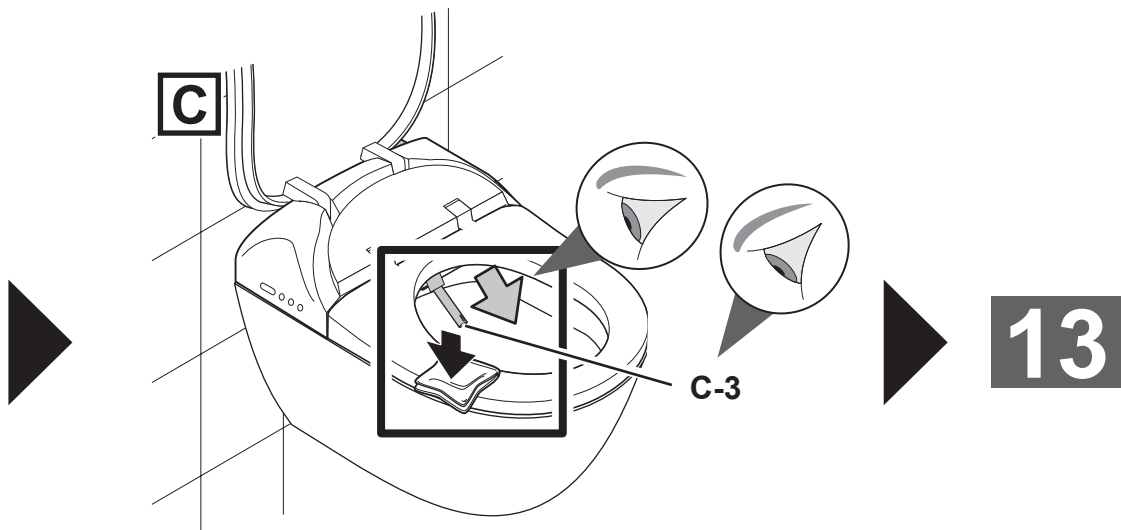
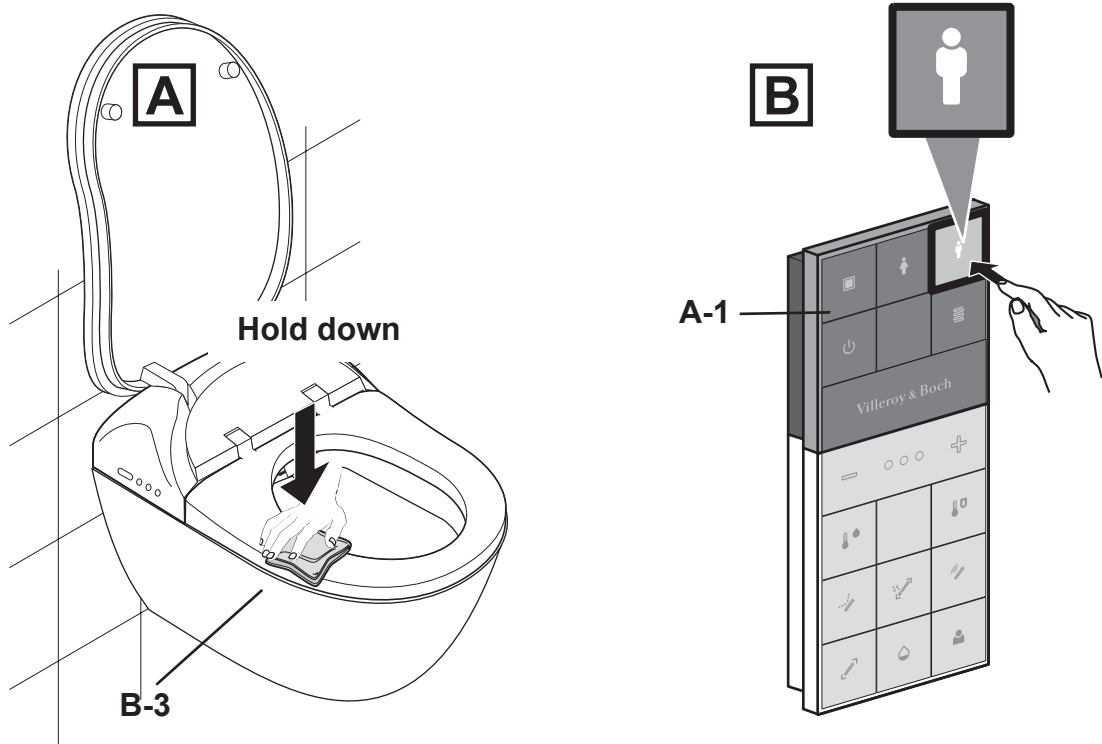


Installation

# Remote Control Mounting

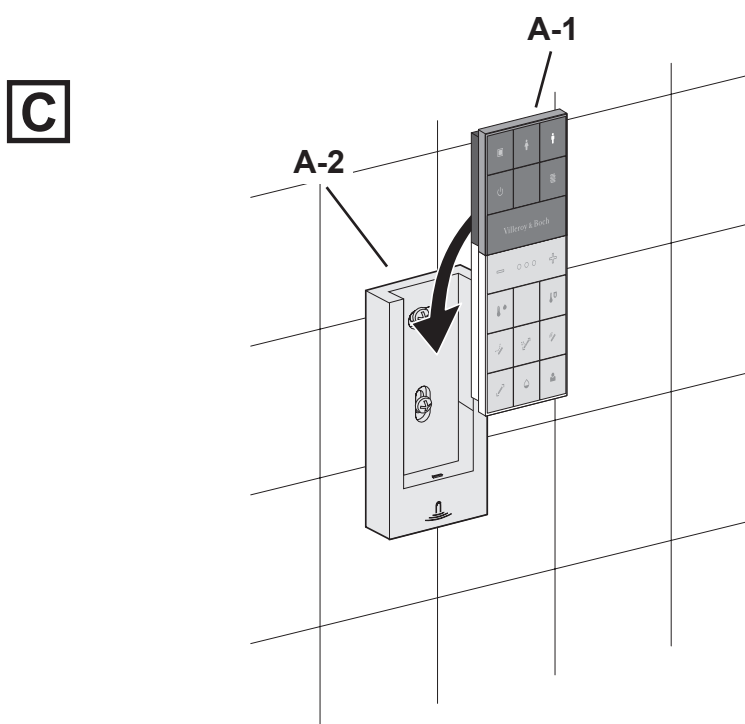
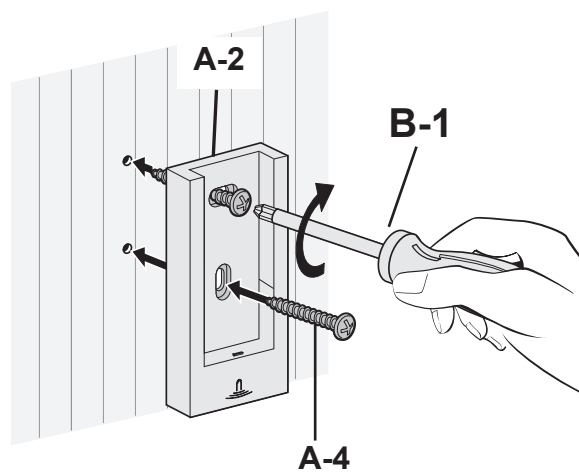
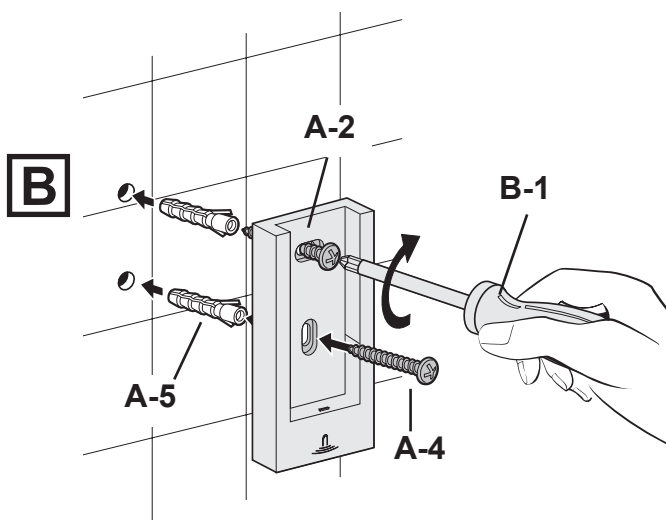
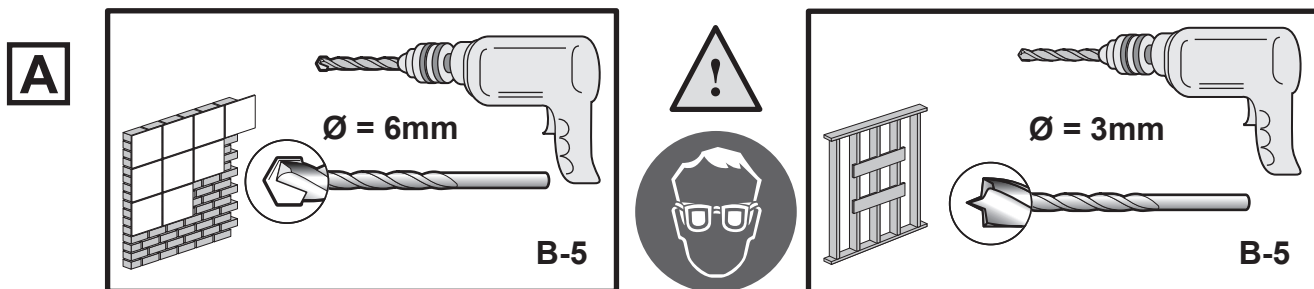
**12**

Temporarily place the remote control in the position determined in **14** and confirm the signal reception of A-1.





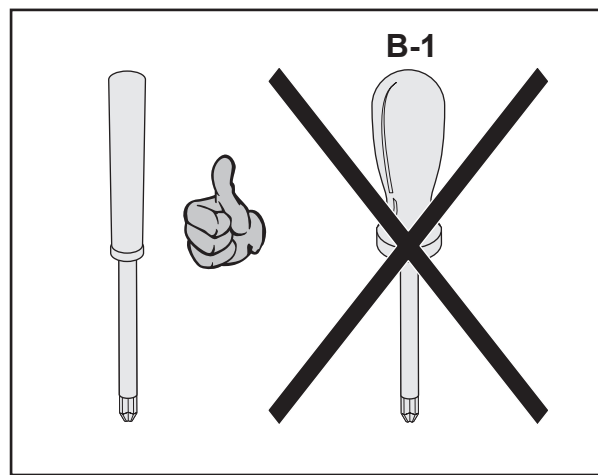
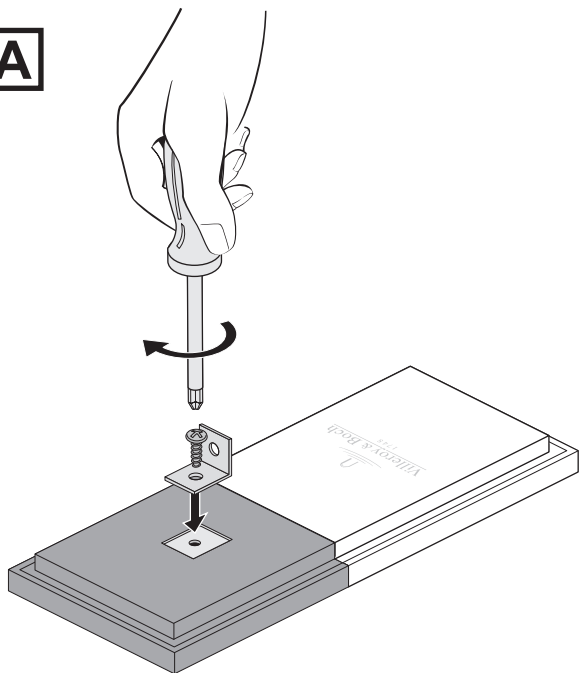
# 13



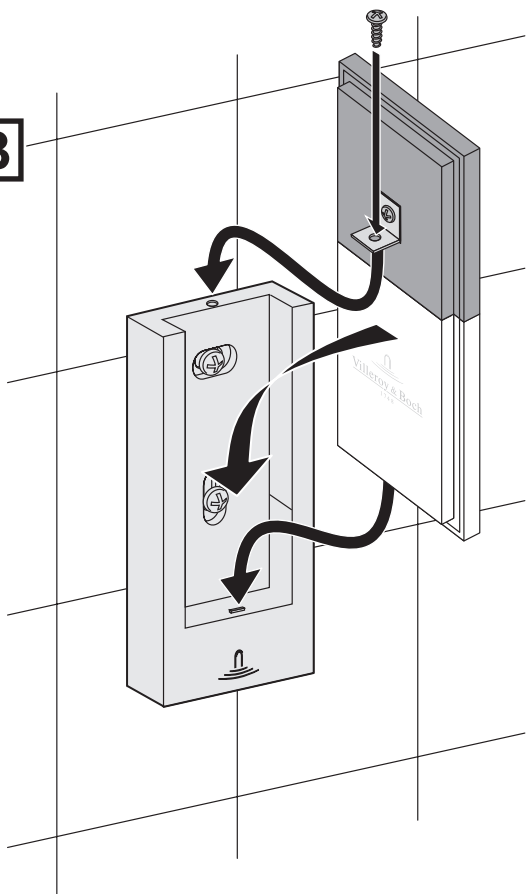
# Anti-theft Protection for Remote Control

## 13A

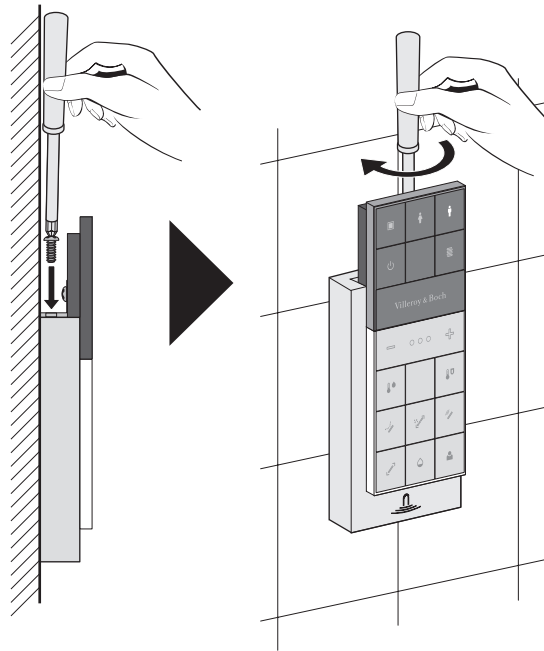
**A**



**B**

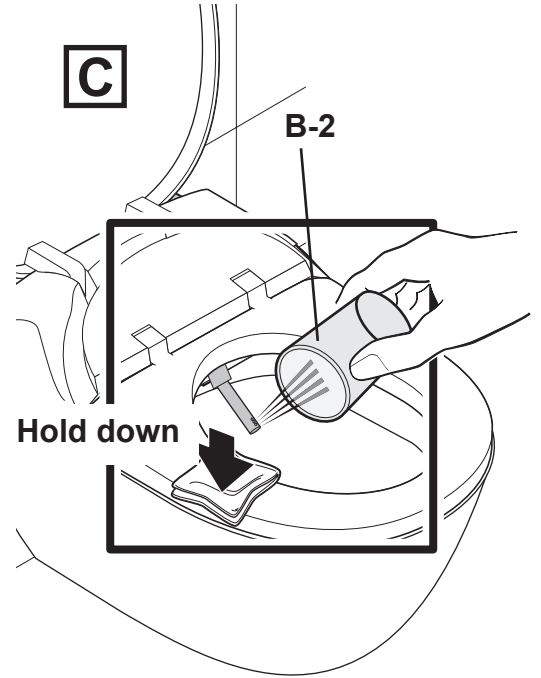
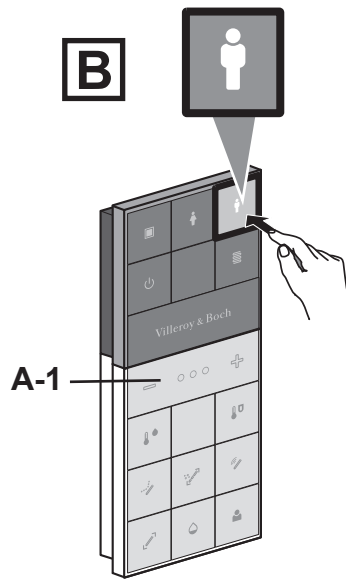
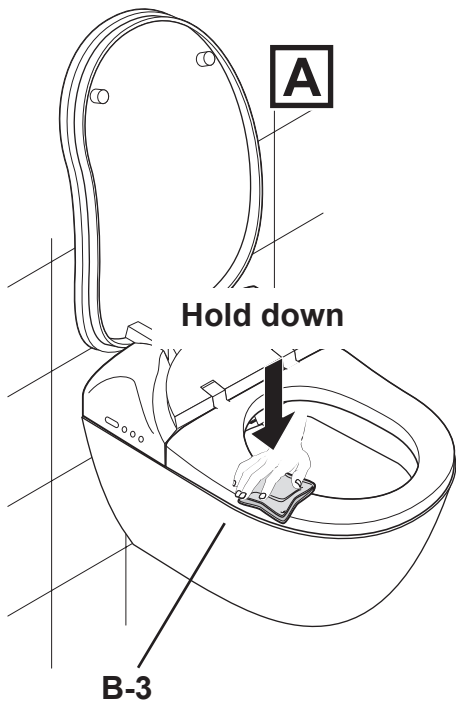


**C**

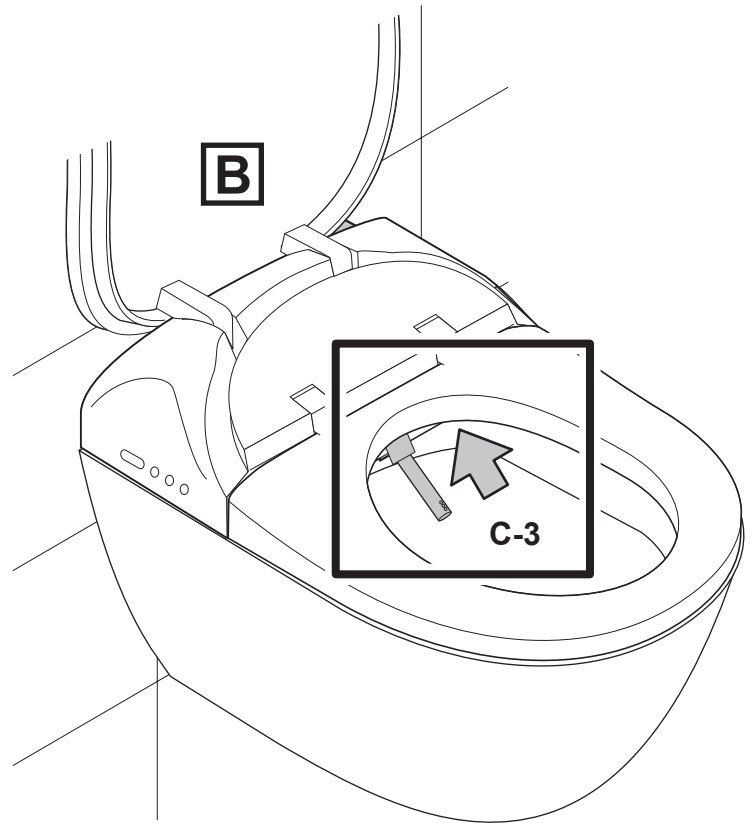
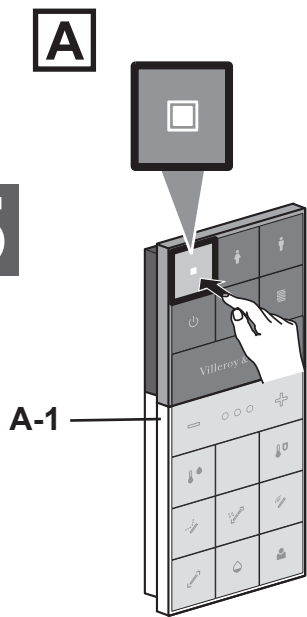


# Trial Run

## 14

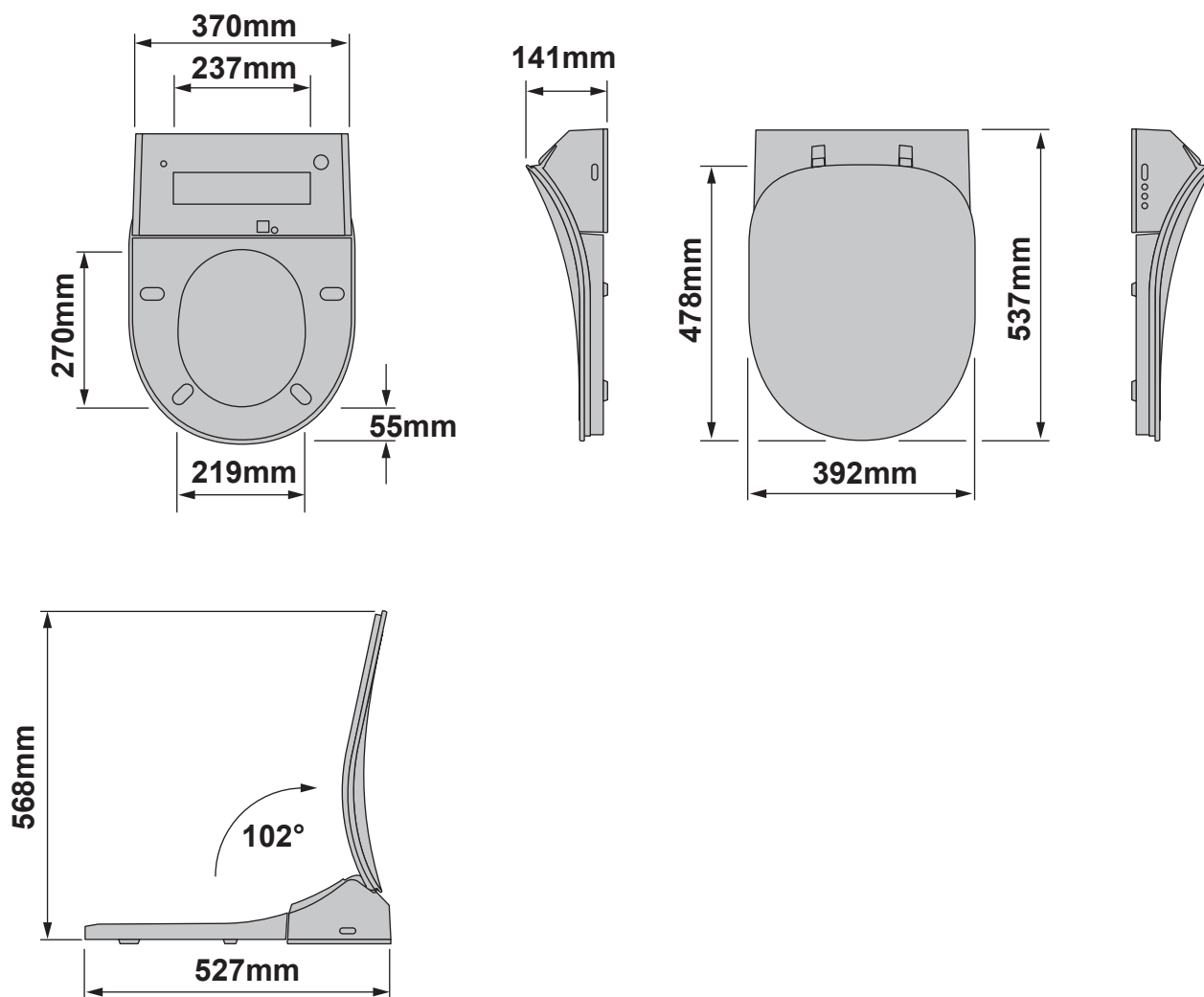


## 15



Installation

# Measurements

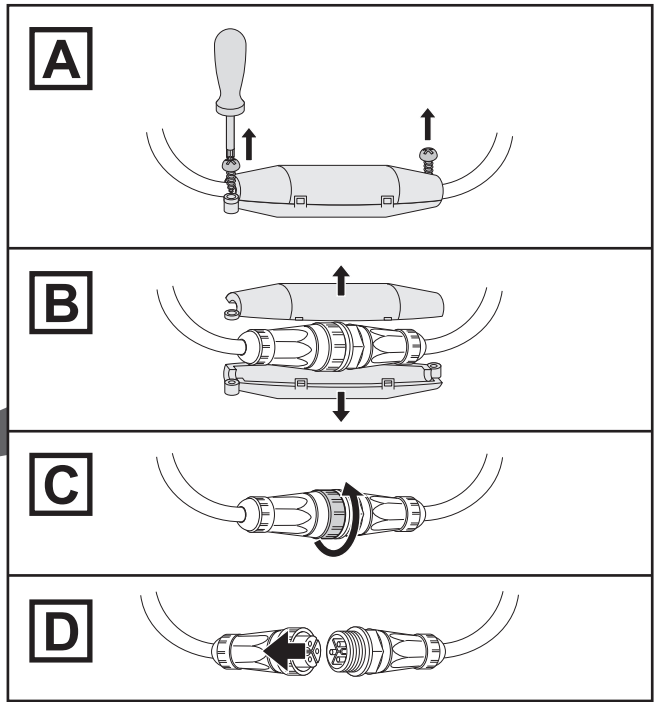
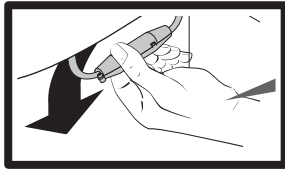
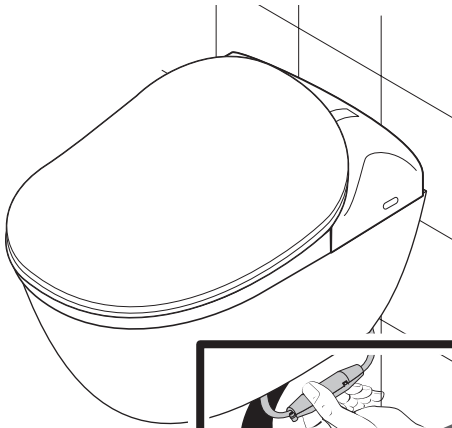


## Information for the installer

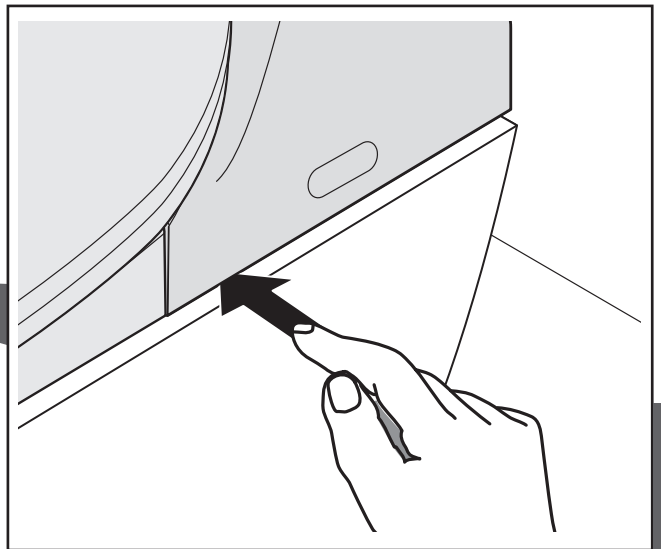
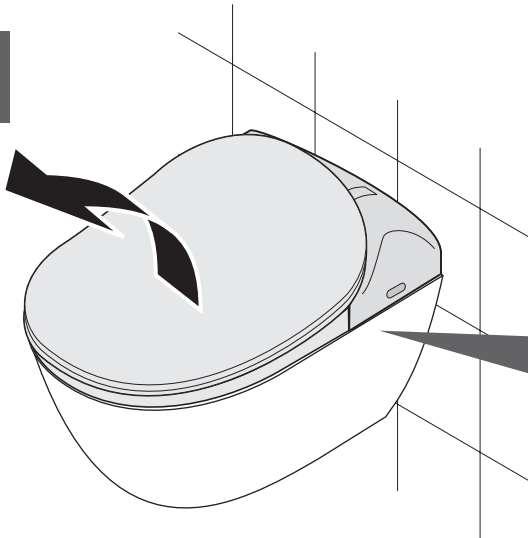
- Please explain the features and operation of VICLEAN<sup>®</sup> to the customer
- If the product will not be used for a long time (like when it is installed in an unoccupied, newly constructed building), turn off the breaker on the distribution board or disconnect the power plug.

# Dismantle Guide

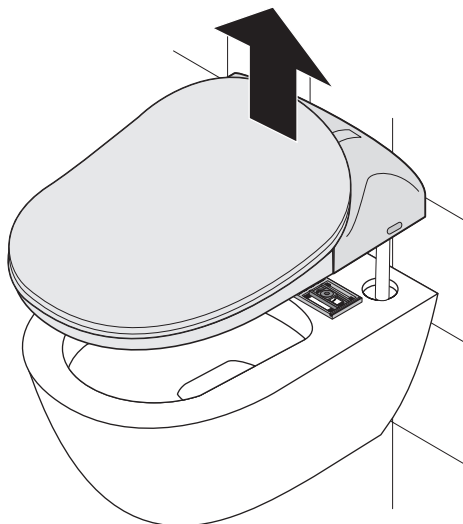
1



2



3



# Troubleshooting

First, try the actions described on pages 55 to 56.

If the problem persists, consult the installer, seller or the contact listed on the back cover of this manual.

## Please check first

### Check the water supply.

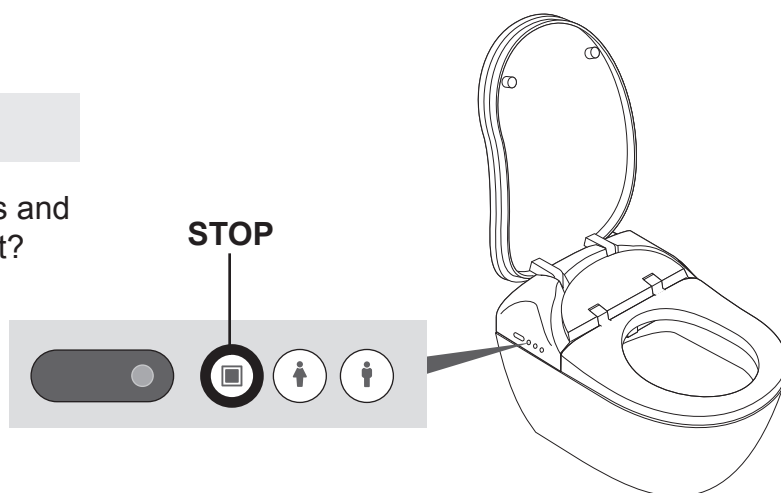
- Is water being supplied to your household?
- Is the water shutoff valve turned off?

### Check the power supply.

- Is there electricity in your household?
- Is the connector inserted?
- Is the safety power switch off?

### Is the POWER LED lit?

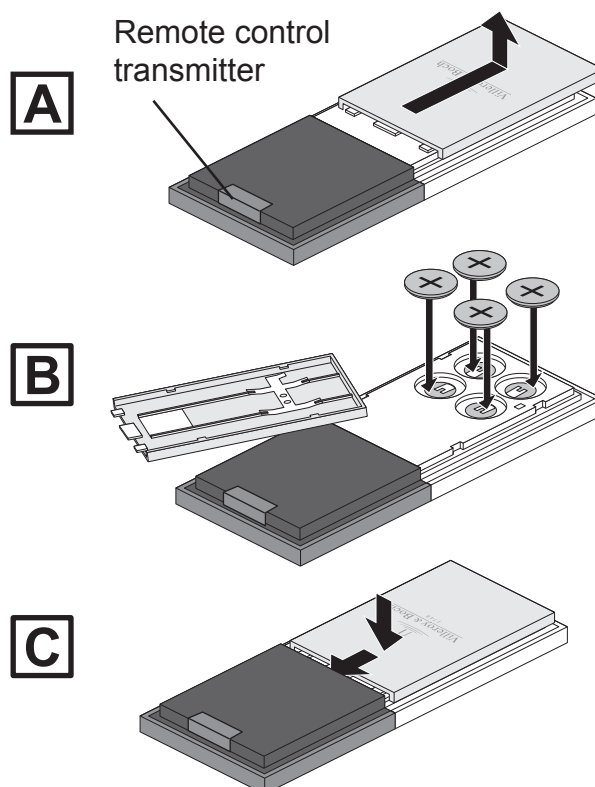
- Does the LED light up when you press and hold the STOP button on the main unit?
- Is the breaker on the distribution board turned on?  
Check whether there is a power outage or the breaker has turned „OFF“.



### Is the remote control working?

- Are the remote control batteries dead?  
→ Replace the batteries
- Is the remote control transmitter or the remote control receiver blocked?  
→ Remove obstructions, dirt, water droplets or any other blockages.

Do not drop the remote control or spray water on it. This will cause a malfunction in the remote.



**There are some error messages that VICLEAN<sup>®</sup> will show in case a malfunction occurs. The error message can be identified by the number of times VICLEAN<sup>®</sup> beeps:**

- 1 x beep:** The desired water temperature is not reached. - **Turn VICLEAN<sup>®</sup> off**
- 2 x beep:** The water volume is too low. - **Turn VICLEAN<sup>®</sup> off**
- 3 x beep:** The seat is overheated. - **Turn VICLEAN<sup>®</sup> off**
- 4 x beep:** The inlet water is too warm or the water inside VICLEAN<sup>®</sup> is being overheated. - **Turn VICLEAN<sup>®</sup> off**
- 5 x beep:** The necessary voltage or frequency is either not reached or is reached too late. - **Turn VICLEAN<sup>®</sup> off**
- 6 x beep:** There is a malfunction in one of the sensors. - **Turn VICLEAN<sup>®</sup> off**
- 7 x beep:** There is an electric leakage in the circuit. - **Turn VICLEAN<sup>®</sup> off**

Trouble		Please check	
Product out of work	VICLEAN <sup>®</sup> does not work	Is VICLEAN <sup>®</sup> ON?	▶ Press the POWER button on the remote or press and hold the STOP button on the side panel.
Remote control	Remote control does not work	Did the battery run out of power?	▶ Replace with new batteries.
		Are the positive poles and negative pole of the batteries set correctly?	▶ Reset the battery to correct position.
	Remote control button is insensitive	Low battery?	▶ Update with new batteries.
Is the remote control signal transmission or reception window covered with dust or blocked?		▶ Clean the signal transmission or reception window.	
Is the remote control too far away from the product, and not within the sensor range of the remote control?		▶ Please use the remote control in the effective sensor range.	
Seat heating	Seat temperature is not warm enough during usage	Is seat temperature set on „OFF” or lower setting?	▶ Reset the seat temperature on a higher setting.
	Seat temperature is hot	Is the seat temperature set on higher setting?	▶ Reset the seat temperature on a lower setting.
	Seat temperature is cold when skin touches the seat	Is VICLEAN <sup>®</sup> set in save ECO mode? If yes, the seat temperature will Automatically increase after sitting on VICLEAN <sup>®</sup> .	▶ This is normal.

# Troubleshooting

	Trouble	Please check
Front / Rear wash function	Nozzle moves out too slowly	When activating the front or rear wash function, the nozzle will clean itself for a couple of seconds and, then moves out for washing. This operation will take several seconds. ▶ This is normal.
	Low water pressure	Is the water flow set on a lower setting? ▶ Reset the water flow on a higher status by the remote control.
		Is the water filter blocked? ▶ Clean the filter.
		Is the connection nut of the water supply hose loose? Does water leak from the hose? ▶ Lock the nut tightly.
	Low water temperature	Is the water temperature set on „low” or „off” status? ▶ Reset the water temperature on „high” or „middle” status by the remote control.
	Nozzle stops to spray water suddenly	During washing, nozzle will stop spray water and move back automatically after 3 minutes. ▶ This is normal.
		The user stood up shortly during the operation or is not properly seated ▶ Sit on the sensor detection position of the seat again and press the front or rear wash button.
When the temperature of the water supply or the bathroom is low, the water temperature may be low when first sprayed. ▶ This is normal.		
Dryer function	Dryer temperature is not warm enough	Is the dryer temperature set on a lower level or OFF? ▶ Reset the dryer temperature on a higher level.
	Warm dryer stops suddenly	The user stood up shortly during the operation or is not properly seated. ▶ Sit on sensor detection position of the seat and press the dryer function.
	Dryer function does not work	Is the user sitting properly on the seat sensor? ▶ Sit on sensor detection position of the seat and press the dryer button.
		Did you select any washing function? ▶ Turn off the washing function and press the drying button.
Night light function	Night light off	During washing, nozzle will stop spraying water and moves back automatically after 3 minutes. ▶ This is normal.
		Night light is set on „OFF” status. ▶ Turn on the night light following the instructions on the „side panel” section.
Manual nozzle cleaning mode	Nozzle moves back automatically	Nozzle will move back automatically after 2 minutes of manual cleaning. ▶ This is normal.



# Specifications

Item	VICLEAN <sup>®</sup> L4
Color	White
Power rating	220 ~ 240 V AC, 50 Hz
Maximum power consumption	1000 W
Water supply pressure	0.11 MPa ~ 0.68 MPa
Dimension (Width x Depth x Height)	392 mm x 537 mm x 141 mm
Net weight	4.2 kg
Material seat and lid	seat : ABS(flame resistance), cover-seat : ABS
Material hull (visible parts)	cover-top /body-frame : ABS(flame resistance)
<b>Warm water cleansing device</b>	
Supply water temperature	5 ~ 35 °C
Spreading Water Flow (Rearwash)	Level 1/Level 2/Level 3 : 350 ml/ 420ml/ 500 ml/min, ±10% ml
Spreading Water Flow (Ladywash)	Level 1/Level 2/Level 3 : 350 ml/ 420 ml/ 500 ml/min, ±10% ml
Water temperature control	Level 1/Level 2/Level 3/Level4 : Room temp. / 31.5±1.5°C / 34.5±1.5°C / 37.5±1.5°C
Heater power consumption	750 W + 450W
<b>Heated seat</b>	
Surface temperature	Leve 1/Level 2/Level 3/Level4 : Room temp. / 31±3°C / 34±3°C / 37±3°C
Heater power consumption	50W
<b>Additional Information</b>	
Permissible ambient temperature	5°C~35°C
Water connection	1/2"
Ingress protection rating	Product : IPX4, Remote Controller : IPX2

# Important User Guidance Information



If you want to dispose this product, do not mix it with general household waste. There is a separate collection system for used electronic products in accordance with legislation that requires proper treatment, recovery and recycling.

Private households in the member states of the EU, Switzerland and Norway may return their used electronic products free of charge to designated collection facilities or to a retailer (if you purchase a similar new one).

For countries not mentioned above, please contact your local authorities for the correct method of disposal.

By doing so you will ensure that your disposed product undergoes the necessary treatment, recovery and recycling, which prevent potential negative effects on the environment and human health.

Only discard discharged batteries. They should not be disposed of with household waste, but rather at appropriate collection sites or at the product retailer.

# Warranty

This electronic bidet seat has been designed and manufactured with great care and attention to detail. It is an illustration of quality, beauty and longevity.

We give our word on that and 24 months warranty.

In the following cases the warranty does not apply:

- a) Damage or loss sustained in fire, earthquake, flood, thunder, or other act of providence, pollution, gas damage (hydrogen sulfide gas), salt damage and abnormal voltage
- b) Damage or loss resulting from any installation against the installation manual, any unreasonable use, misuse, abuse, negligence against the cautionary statements of owner's manual and label on the product, or improper maintenance of the product against the user manual
- c) Damage or loss resulting from modification, disassembly and destruction of the product
- d) Damage or loss resulting from water stain retention, sediments or foreign matter contained in a water system
- e) Damage or loss resulting from the quality of water in the region where the product is used
- f) Damage or loss resulting from relocation after installment, improper installation or hazardous environment
- g) Damage or loss resulting from defect other than product such as change in shape of building frame
- h) Damage or loss resulting from bite by animals or insects such as mouse, or residual of dead animals or insects
- i) Damage or loss resulting from freeze of product
- j) Damage or loss resulting from undesignated power supply (voltage, frequency) and electromagnetic wave generated in outside of product such as power lines and peripheral device
- k) Damage or loss resulting from the use mounted on moving vehicles such as cars and ships
- l) Damage or loss resulting from consumption of battery, etc
- m) Damage or loss resulting from abrasion of daily maintenance points (water drain valve, filter, O-ring, packing, etc.)

# VILLEROY & BOCH

## GERMANY

*Villeroy & Boch AG  
Unternehmensbereich Bad und Wellness  
Hauptverwaltung  
66693 Mettlach*

**EN**

02-2014

Shades and dimensions subject to the usual tolerances. We reserve the right to make technical modifications to the range and alter colours