

**ALICO EGYPT®** is one of **Orascom Construction** subsidiaries and one of the leading companies in the Middle East and North Africa in the field of Aluminum & Glazing works founded in 2000.

**ALICO EGYPT®** range of products extends from aluminum doors & windows to curtain walls, skylights, handrails, architectural metal works as (aluminum, stainless steel, expanded metal mesh and perforated metal Cladding) and Laminated Stone products.

**ALICO EGYPT®** is licensed by **Schüco International-Germany** .

**ALICO EGYPT®** currently employs staff of 650 qualified people.

**ALICO EGYPT®** plant at Ain-Sukhna 120 km east of Cairo in new Suez Industrial Area. The total plant area is 6 hectares and factory building of 18000M2.

<http://www.alicoegypt.com/>



**Orascom Construction** is a leading global engineering and construction contractor primarily focused on infrastructure, industrial and high-end commercial projects in the Middle East, North Africa, the United States, and the Pacific Rim for public and private clients. The Group also develops and invests in infrastructure opportunities.

*1950: Onsi Sawiris founded a construction company in Upper Egypt.*

*1976: Onsi Sawiris founded Orascom Onsi Sawiris & Co (the Predecessor Partnership) as a general contracting and trading company*

*1995: In the mid-1990s, Mr. Sawiris transferred management control to his son, Nassef Sawiris, who embarked upon an ambitious diversification strategy through investments in complementary businesses.*

*2003: Orascom was recognized as a Top 225 International and Global Contractor by Engineering News Record for the first time.*

**Strategy:** Orascom strategy is guided by five key pillars with the aim of maintaining our market leadership, expanding our geographic footprint and delivering top and bottom line growth to maximize shareholder value.

<http://www.orascom.com/>





**Schüco** Based in Bielefeld, the Schüco Group develops and sells system solutions for windows, doors and façades. With more than 4900 employees worldwide, the company strives to be the industry leader in terms of technology and service today and in the future. In addition to innovative products for residential and commercial buildings, the building envelope specialist offers consultation and digital solutions for all phases of a building project – from the initial idea through to design, fabrication and installation. 12,000 fabricators, developers, architects and investors around the world work together with Schüco. The company is active in more than 80 countries and achieved a turnover of 1.575 billion euros in 2017.

<https://www.schueco.com/>

# SCHÜCO





**WICONA** delivers intelligent high-tech aluminium building systems, technical expertise for international building projects and all-around service for the creativity of architects and fabricators. WICONA is a part of the Norwegian Hydro group, which also owns the Technal, Domal, Sapa Building System and Askey brands. With its new brand slogan, WICONA is pointing the way to the future. The dynamic effect underlines its claim as the leading aluminium systems company: to offer the best know-how, intelligent high-tech products and perfect service for the creative performance of architects and metal workers.

Across the world, WICONA products are used for facades, windows and doors, and thus to a large degree determine the aesthetics, usefulness and longevity of countless buildings.

[https:// www.wicona.com/](https://www.wicona.com/)



**ALICO EGYPT®  
BOARD**

**Mr. Gamal Farid**  
Managing Director



**Mr. Mohamed Wahid**  
Commercial Manager



**Mr. Ayman Ibrahim**  
Group Projects Manager



**Mr. Shahir Labib**  
Operations Manager



**Mr. Ahmed Elakad**  
Finance Manager



**Mr. George Eryan**  
IT Manager



**Mr. Mohamed Mohie**  
HR Manager





## Why Aluminum?

1. *Aluminum is a modern material: Strong, flexible, conductive, durable, and extremely lightweight. Its remarkable strength enables exceptionally sturdy structures- due to the low material weight, the structures weigh just one third of equivalent steel constructions.*

2. *Aluminum products have an extremely long service life. Approximately 75 % of the construction products ever made using aluminum are still in use today. What's more, aluminum is easy to maintain: There's no need for any measures to protect against mold or corrosion, nor does the paintwork require any solvents.*

3. *Aluminum is the third most abundant element on earth. From extracting the raw material to recycling, the material is suitable for achieving the highest degree of sustainability.*



**ALICO EGYPT® PLANT** at Ain-Sukhna 120 km east of Cairo in new Suez Industrial Area. The total plant area is 6 hectares and factory building of 18000M2.

The factory is divided into 3 bays, as follows:

- Aluminum Fabrication Plant.
- Glass Processing Plant.
- Paint Plant.

**\*Paint plant** is equipped to provide:

- PVDF Coating.
- Polyester Powder coating.

**\*Glass processing plant** is equipped with:

- State-of-art, most up to date two computerized horizontal tempering lines to produce high quality heat-treated glass, i.e. tempered and heat-treated.
- Sophisticated automated line to assemble double glazed unit (DGU's) including D.G.U. for structural glazing applications.
- Two separate cutting lines for flat and laminated glass.

**\*Aluminum Processing Plant** is equipped with:

- Most up to date machineries; design and experienced factory management supervise and control the work according to the highest international standards.
- Most Up to Date two Unitized System Lines.



# ALICO EGYPT® PLANT Equipment List

AL.I.C.:C List Of Equipment 2019 Form no. FMP-01-F-02 Issue A/0

Eq.Nr.	Name Of Equipment / Description	Machine Marker	Machine Type	Machine SNr.	Cons.	Year
AL1	Doble Head Saw	Fom Industrie	BUT245 C	1828	----	2000
AL2	Natchwng Mac*le	GRAULE	AS...	-	-	2000
ALI	StopClting	GRAULE	-	-	-	2000
ALA	Pnetmak Punc*lg MacNne	SCHUCO	290124	79210-11	1695	2000
ALS	Emmegl Doble Head SAW	Emmegl	Classic Magic SOOTU/6	C109126	2009	2009
ALO	SISKd InSerfing M/K.Noc.	SCHUCO	219A2	-	1999	1999
AL7	Copy Rouer	YILMAZ	FR221	2107	2001	2001
ALI	Copy Rouer	YILMAZ	FR221	2099	20M	2001
ALI	Comer Of*lg Mac*le	AllaCoop	ITACA	A6485	2011	2011
AL10	Vertial Drilling Mac	IXION	BT23F	152614	1999	1999
AL11	Vertical Drilling Machine	SCHUCO	-	792 1685	2010	2010
AL12	Small CltAng Machine	-	-	-	-	2002
AL13	Patwade Punc*lg	SCHUCO	-	290124	2000	2000
AL14	SMI Clling Mac*le	-	-	-	-	2000
AL15	Comer of*lg Mac*le	AUICoop	ITACA	AIW&6	2017	2017
AL10	Comer Of*lg Mac*le	SCHUCO	-	1230	2001	2001
AL17	Vertical Drilling Machine	SCHUCO	297338	1667	2010	2010
AL11	Vertical Drilling Machine	SCHUCO	297138	-	1099	1099
AL11	ALIO.Cltng MC	LGF	NUMA	81	2001	2001
AL20	Hydnlule Pns1 MC	JANGSUYANG	JG23-40	-	2002	2002
AL21	CNCWOftg cawe	Emmegl	SATEL UTEX T 7800	C118578	2017	2017
AL22	Copy Roldng MC	ALTECH	MASTER	102SM	2005	2005
AL23	Mirc Saw F ons MC	GRAULE	ZS170 N	-	2001	2001
AL24	Yenk dDrilling MC	SX	ZQSX 5025 A	22093	2002	2002
AL2S	Invegl Doble Head S.	Emmegl	Ctssic M gk 500TU/6	C122523	2018	2018
AL21	Nate*lg MC	GRAULE	AS...	3mo	2000	2000
AL27	CopyROter	Emmegl	Copia.310	E214943	2017	2017
AL21	SQ.Nng Crlr Ar Saw	SICARGROUP	EXPRESS 32008	A1300065	2003	2003
AL29	Vertkal Panel SdW Mad*le	STRIEBIG Stand...d	5206A	33899	2003	2003
AL30	Akman.Im Fronle Crmpng Me	SCHUCO	ATLA COOP	-	2003	2003
AL31	Spitting S. Macdpe	-	-	-	2003	2003
AL32	SOMAT 4 MIOAHE	SCHUCO	ART.N0.296411	792.224	2003	2003
AL33	Cindng-Oc	Local	-	-	2003	2003
AL34	SNW Wzrnc Cmp*lg M/Mng	Emmegl	Diamant	C113284	2012	2012
AL35	Emmegl Doble Head SAW	Emmegl	Classic M.gk: SOOTUIS	C113311	2012	2012
AL10	AL.Lomacka SdW 450 w/ta MG4	Emmegl	Automatic 4.S0	C113325	2012	2012
AL31	Single head upward saw	Emmegl	SCA Mini 400M	C112360	2012	2012
AL31	Single hNd up w.-d saw	Emmegl	SCA Mini 400M	C112361	2012	2012

AL.I.C.:C List Of Equipment 2019 Form no. FMP-01-F-02 Issue A/0

Eq.Nr.	Name Of Equipment / Description	Machine Marker	Machine Type	Machine SNr.	Cons.	Year
AL41	Emmegl Copy Roll er Tine	Emmegl	Copia 310	E213445	2012	2012
AL42	Comer Crtllng	Emmegl	Presta 2000	E8841	2012	2012
AL43	Comer Crtllng	Emmegl	Presta 2000	E8926	2012	2012
AL44	Comer Crtllng	Emmegl	Presta 2000	E8925	2012	2012
AL45	Comer Crtllng	YILMAZ	KP120	395	2009	2009
AL4S	Manual saw Madin&	THOMAS Italy	Th1S400	0412012	2012	2012
AL47	Single Gider Crane	ABUS	GM 41000.4-2	220-102095	2012	2012
AL41	The Fronle Bending Millhne	Prontibiegetechnik AG	PBT2S PC50	647	2012	2012
AL49	Emmegl copy Rouer Macrine	Emmegl	Copia 310	E213444	2012	2012
ALSO	Parter Nothing AJumanuln SAW	Parker	TM25	069	2014	2014
ALSI	Noterfll hne	Graule	AS 450	42312	2015	2015
AL52	Radial Ann Saw Midlle	Graule	ZS 200 N	2018746	2015	2015
AL53	Comer Crtllng Machine	Ala CoOp	ITACA	A 861	2015	2015
AL54	Emmegl DOLP-1c Head Saw	Emmegl	Classic Magic 500TU/6	C189309	2016	2016
ALSS	Optimum Vertical Orfing Millhne	Optimum	DH40 BV	0075	2015	2015
ALSO	Optimum Vertical Drilling Millhne	Optimum	MB4	520013	2015	2015
AL57	YerUal Orfing Machine	MAG	PK 504	2212	2012	2012
AL58	Horronral Table Strip Saw	Italy	SS15WS	-	2016	2016
ALSO	Horizontal Table Strip Saw	Italy	SS15WS	-	2016	2016
ALOO	Manual seating Silicon Mad11ne	Wagner	ECO STAR EVOCLASS	7170	2018	2018
AL01	Drilized Suction uter	GGR	DSZ2112V	2503	2018	2018
AL02	Drilized Suction uter	GGR	DSZ2112V	2168	2017	2017
AL03	Single Gider Crane	ABUS	GM410006-2	220-182908	2018	2018
AL04	Single Gider Crane	ABUS	GM410006-2	220-1929909	2018	2018
ALOS	Single Gider Crtline	ABUS	GM410006-2	220-1929910	2018	2018
AL..	Electric Chain Hoist with Motorized Trolley	PODEM	CH2 500.8-1	193981.0031	2018	2018
ALOT	Electric Chain Hoist with Motorized Trolley	PODEM	CH2 500.8-1	193981.0036	2018	2018
AL68	Electric Chain HOIST with Motorized Trolley Prep-ed by Maintevnet Manager	PODEM	CH2 500.8-1	187847L0024	2018	2018

Eng.Usama All Sanaid

Eng. ShaNv Labib

AL.I.C.:C List Of Equipment 2019 Form no. FMP-01-F-02 Issue A/0

Eq. Nr.	Name Of Equipment / Description	Machine Marker	Machine Type	Machine SNr.	Cons.	Year
GL1	Pool Glass-Cltng Millhne	BYSTRONIC	XY2F98	000034-1	2000	2000
GL2	Edge PolShng Machine	GMB	ROTS	5330100	2000	2000
GL3	Sone HoZontal Teffl)Mng F. mace	TAMGLASS	HTF-22364	Sonic 063	2006	2006
GL4	Cross-Belt Grndng Millhne	KNOPP	DUPLOKANT 2	7366 2 111S 2	2000	2000
GL.S	FomePerHeatSouk Test	Glasco	Jumbo	35D002001	2002	2002
GL8	Glass Saw Mclline P2.55 Kw	KNOPP	-	7370 2.15	2000	2000
GL7	Drilling Machine Doble Head	KNOPP	-	7368 2.20	2000	2000
GLI	Mihal Sealing Sllkon Machine	HOT	HD 200 GL SI	1164	2017	2017
GU	Hor'ontal Washing Machine	TRIULZI	SYVAL-E 25000	NNA 20175	1999	1999
GL10	Horizontat Teffl)ng F. mace Matline	TAMGLASS	HTF 2448	487	2000	2000
GL11	Vertkal Washing Machine	LISEC	VHW 2516	313.002650	2000	2000
GL12	Double Pressing Machine	LISEC	HLP-25125	341002654	2000	2000
GL13	A OIMic Edge SeMng Mlcrine	LISEC	VIAN25	361.002658	2000	2000
GL14	Mihal Mxng SllkR Machine	LISEC	TAL-60 S11N	364002665	2000	2000
GL1S	Freezer (Hot & Cold) Equipment	UBSC	KHB-45	494.002666	2000	2000
GL18	Mountng Table Machine	LISEC	ER-40	352.002656	2000	2000
GL17	Spacer Bencng Machine	RUKAN METAL	MB-430	2321 Rm1100	2000	2000
GL18	Disscart Fill Sllka.JI	RUKAN METAL	TF-300811447	Typet300	2000	2000
GL19	Manual Spacer CLT'ng Machine	LISEC	ARF A	593-007834	2001	2001
GL20	Shy Loading Machine	LISEC	LBH +25V	571.002664	2000	2000
GL21	Single Gider Crane	MORRIS	YTON	-	2000	2000
GL22	SiW d-slustng Madline	PEZZA	GHIBU 140	6150601	2001	2001
GL23	Cross-Belt Grndng Mill*le	Bohle	Twinbelt KSA.C 1.8.30	152118	2018	2018
GL2A	ALIO.Mic Silk Sa-ten Printer/voryer	Cugher	IR1302-2-961 ISB87	111001102.-(3)	2011	2011
GL25	Mllng Gorgea PnMT e Machine	AL7-ME PA	7000	100.003	2001	2001
GL26	Gorgea Clving Machine	AL7-MEJPA	7020	100.003	2001	2001
GL27	BUSETH Drilling Mclline	INTCRMAC	(G)O7	627	2002	2002
GL21	Space SdW Machine	Makia	LS10B	3168433	2001	2001
GL29	ManUal Allng Odsant	LISEC	A44L	506 11363	2002	2002
GL30	ManUal Gas Fllng Machine	LISEC	GM	491-023797	2004	2004
GL31	Skenus 37 CT RS Machine	INTCRMAC	Genius 37 CT RS	SN19813	2011	2011
GL32	CHC Polr'ng 3-axis Glass	Denver	Prima	130610	2011	2011
GL33	CHC Polr'ng J-axis Glass	Denver	Prima	150111	2011	2011
GL34	Bystronic SLUCion Lner	Bystronic	-	-	2011	2011
GL3S	Double Head SAW	Emmegl	NORMA VIS 400 TU	C113353	2012	2012
GL30	Glass Sac.Uon Uter PowerGrip	PowerGrip	MRTA4ILDC	1479K	2000	2000
GL37	Comer Crtllng	Emmegl	Presta 2000	EB842	2012	2012
GL31	Glas Suction Uter PowerGrip	PowerGrip	MRTA81 ILDC O	20121236	2012	2012
GL30	Glass Sac.Uon Uter PowerGrip	PowerGrip	MRTA81 LLOC2	20121236	2012	2012
GL30	Manual Seating Silicon Machine	Wagner	ECO STAR EVOCLASS	7170	2018	2018

Eng.Usama All Sanaid

Eng. ShaNv Labib



# ALICO EGYPT® PLANT Equipment List

ALICO EGYPT	List Of Equipment 2019	Form no. FMP-01-F-02 Issue A/0
----------------	------------------------	--------------------------------------

Eq. No.	Name Of Equipment/ Description	Machine Marker	Machine Type	MachineS. Nr.	Cons. Year
FB1	HACO Hydraulic Shearing	Haco	YSX 3008	00065729	2000
FB2	HACO Hydraulic Press Brake	Haco	PPM30150	00090337	2000
	Hydraulic PU/TShinQ & Shear Ing	Kingland 65XS	DP	249400	2000
	Hydraulic Press Brake Box & PanMIC	China	012UM	-	2004
FB5	Vertical DrillingMIC		PK20J	-	2000
FBO	Hydraulic & Combined Punch/Shear Ing	JINGGONG	QA-SY-20	60-W8	2003
	Disc cut/Ing Steel Mac**c	THOMAS Italy	33MINOR-EXP	-	2015
FB8	Rolling Machine	China	H2	-	2004
FBO	Welding Machine	ISIKAYNAK	INV-AC, JIC TIG250 A	EN60974-1	2011
FB10	Wagon Weaving NYC	Minar	Synrowave 351	KJ04247	2000
178-11	Magic AC Tig 350 D	China	MF	01612061647	2017
178-12	Magic AC Tig 350 D	China	MF	01612061649	2017
FB-13	Magic AC Tig 350 D	China	MF	01612061637	2017
FB-14	Magic AC Tig 350 D	China	MF	01612061846	2017
FB-15	JHCOLH Wetting Machine	Bester	SPF 420 D	P114080606	2016
17B-16	JHCOLH Wetting Machine	Bester	SPF 420 D	P1140806094	2016
Fa17	SoKiBlastMC	-	-	16366	2003
FR18	Steel Cutting Disc Machine	-	-	14632	2010
FB-19	Drilling & Milling M/C	-	zx 6350 c	ZX8350c	2003
17820	Lathe Machine Model	-	CDK260 C	300147	2003
FB21	Magic AC Tig 350 D	China	MF	01603013486	2016
FB22	Magic AC Tig 350 D	China	MF	01603013487	2016
FB23	Magic AC Tig 350 D	China	MF	01603013488	2016
FB24	Magic AC Tig 350 D	China	MF	01603013489	2016
17825	Milling AC Tig 350 D	China	MF	01603013490	2016
FB26	Vertical Drilling Machine	SX	YD90L-6/4	22147	2003
FB27	Vertical Drilling Machine	SX	YD90L-6/4	22148	2003
FB28	MASIEA Tig Welding	Kemppi	MIS 2300ACDC	2029549	2010
178-29	EMching Motor	Japan	GB 800	9606080688	2006
	Pull/ing Motor	local	-	-	2003
	Welding Machine	Jackie Germany	HHHHH	07730216	2016
	Welding Machine	Jackie Germany	G45-1 S	09110216	2016
	Magic AC Tig 350 D	China	MF	01703010850	2016
	Magic AC Tig 350 D	China	MF	01703010852	2016
	Magic AC Tig 350 D	China	MF	01703010853	2016
	Magic AC Tig 350 D	China	MF	01703010854	2016
FB30	Magic AC Tig 350 D	China	MF	01703010855	2016
FB31	Magic AC Tig 350 D	China	MF	01703010856	2016
FB32	Magic AC Tig 350 D	China	MF	01703010857	2016
FB33	Magic AC Tig 350 D	China	MF	01703010858	2016
FB34	Magic AC Tig 350 D	China	MF	01703010859	2016
FB35	Magic AC Tig 350 D	China	MF	01703010856	2016
FB36	Magic AC Tig 350 D	China	MF	01703010855	2016

ALICO EGYPT	List Of Equipment 2019	Form no. FMP-01-F-02 Issue A/0
----------------	------------------------	--------------------------------------

Eq. No.	Name Of Equipment/ Description	Machine Marker	Machine Type	MachineS. Nr.	Cons. Year
PN1	Control Panel	Ercon			2000
PN2	Manual Spraying Booth	Ercon			2000
PH3	Rheostatic Panel & r.P.S Rectifier	Ercon			2000
PH4	Low Oven & Bmw Model EK-3 and P	Ercon	EK-3	CS130-01	2000
PN5	Well Oven & Bmw Model EK-3 and P	Ercon	EK-3	CS180-2	2000
PH6	Painting Tbs	Ercon			2000
PN7	Complete in Holst Motor Ger MORRIS	Ercon			2000
PN8	Complete Twin Hold Motor Ger MORRIS	Ercon			2000
PH9	Computerized AIT-Dyer (Ultrasonic) P.P	Ercon			2000
PN10	Automatic Spaying Booth BAUIO GISIS	Ercon			2000
PN11	Exhaust Fan	Ercon			2000
PH12	Blowing Fan	Ercon			2000
PN13	Closed Control Cabinet Booth System	Ercon			2000
PN14	conveyor Motor Drives, Ger ac, sgs	Ercon	RR8		2000
PH15	Diaphragm Pump ANESTA WATA	ANESTA WATA	DDP90CE		2000
PN16	Diaphragm Pump ANESTA WATA	ANESTA WATA	DOP90CE		2000
PN17	Diaphragm Pump ANESTA WATA	ANESTA WATA	DDP90CE		2000
PH18	Wrapping Dual skin P/ank Protection			C113332	2017
PH19	Treatment Room and Phosphating Tanks				2003
PN20	CEMA Spaying Millonul Powder-2G/5ts	GeMA	Optifex-2F	2000120095	2018
PH21	CEMA Spaying Millonul Powder-2G/5ts	GeMA	Optifex	17001.17896	2009
PN22	CaM Spraying Manual POWGer-2G, alS	GeMA	Optifex-2F	20001.04059	2018
PH23	Diaphragm Pump BINKS Type DX200AN	SINKS	DX200AN	S106412017	2017
PN24	Diaphragm Pump BINKS type DX200AN	SINKS	DX200AN	S106512017	2017
PH25	Diaphragm Pump BINKS type DX200ARJW	BINKS	OX200AA3W	5035312015	2018
PH26	Manual Saw-Top-Cutting Machine				2006
PH27	Graco LK Krosstitle Spraying Guns	GRACO	PRO XSI	S9536-SB639	2004

Eng. Usama Ali Sanad

Eng. Shahr Labib

ALICO EGYPT	List Of Equipment 2019	Form no. FMP-01-F-02 Issue A/0
----------------	------------------------	--------------------------------------

Eq. No.	Name Of Equipment/ Description	Machine Marker	Machine Type	MachineS. Nr.	Cons. Year
AID1	AK-C0074) essor	Atlas Copco	GA5510bar	A11468-931	2000
AID2	Air Compressor	Atlas Copco	GA55-10bar	A11468-171	2000
AIOO	Air Dryer	Atlas Copco	F0250	AJQ700908	2000
AID4	Generator 300KVA	Caterpillar	3406C	128-71125	2000
AID5	Generator 16KVA	Hand o			2011
AID6	Transformer (12500 KVA + Panels)	●●●			2010
AID7	Stone Overhead Crane Aluarm Store	Konecrane	XID3 12x21 1m Ho-5m	2352HI	2000
AID8	Stone Overhead Crane Filite/GUSS Store	Konecrane	XL195x23.3m Ho-5.5m	28025	2000
AID9	Stone Overhead Crane Glass Store	Konecrane	CXT40410050P15FCIOF	CXFLUR	2003
AID10	R.O Reverse Osmosis starton Liril				2000
AID11	AC SPUTI WHOOV AirCondition	Carrier/Trans/Sharp			2000
AID12	Electrical Switch Ger	HBS2 4L26			2000
AID13	Transformer (1 & 2) 1500 & 2500 KVA				2000
AID14	Medium Voltage Pinets Altm. & GHISS				2000
AID15	Ring Pinet nPunC40HP	MNGG-200			2000
AID16	D/Water Station	Soft Cell			2013
AID17	9-rolling Doors	Batzbach			2000
AID18	Kaesar Air Control Unit	Kaesar	CSD12S		2015
AID19	Kaesar Air Dryer	Kaesar	TE141	3375	2010
AID20	Forlift Equipmef.	TCM	FD30T3Z	2UE33051	2015
AID21	EMS Station	CityGu			2011
AID22	Over Head Crane Glass Loading	Japan			2000
AID23	Workoff Equipmef	TCM	FD30T3Z	2Ua34711	2017

Prepared by Maintenance Mitnige  
Eng. Usama Ali Sanad

Approved by Factory Managers  
Eng. Shahr Labib

## List OF Products

### 1. Aluminum Curtain Wall:

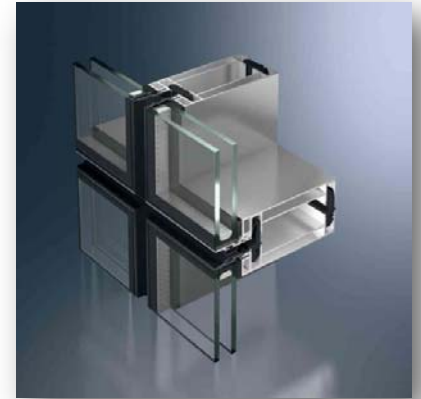
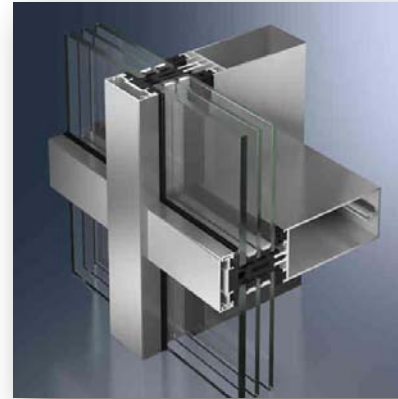
- Stick Curtain Wall Conventional and Structural Glazing systems (two/four sided)

SCHÜCO: FW 50+ / FW50+ SG

- Unitized Curtain Wall

SCHÜCO UCC 65 SG

SCHÜCO Male & Female



### 2. Aluminum Windows, doors and louvers:

- Fixed, pivoted & Hinged Windows and Doors:

SCHÜCO ALICO: DX411

- Sliding Windows & Doors

SCHÜCO ALICO: DX 611

- Bullet and Burglar Resistance Windows / Screens

- Fire rated Doors/Screens



## List OF Products

### 3. Aluminum Skylight, Roof light:

- Pyramid, Dome, Barrel Vault

SCHÜCO: FW 50+ / FW 60+

- Slope Glass and Suspended Glass Assemblies



### 4. Balustrades and Handrail:

- Aluminum & Glass Balustrade and Handrail

### 5. Cladding:

- Aluminum, Stainless Steel, Composite Panels, Solid Panels, Expanded metal Mesh panels and Perforated metal cladding.

### 6. Partitions:

- Aluminum and Glass
- Frameless Glass Screen

### 7. Suspended Glass:

- Mechanically Bolted Glass Walls (Spider)

### 8. Architectural Finishes:

- PVDF Liquid Coating - Polyester Powder Coating

### 9. Laminated Stone Products

- Design, Fabrication, Supply, Delivery, and Installation of laminated stone/stone and stone/glass products with the latest lamination technology.





# Schüco License

Aluminium  
Stahl  
Kunststoff  
Solar  
Design  
Service

**SCHÜCO**

Schüco International KG - Postfach 10 25 53 - 33525 Bielefeld

Alico Egypt  
15 Ramo Building  
Al Nasr Road  
ET - Nasr City  
Cairo / Egypt

Department International Division  
Contact Thomas Hausfelder  
Abbreviation  
Tel. 0049 521 783 7223  
Fax 0049 521 783 9461  
e-Mail THausfelder@schueco.com  
Date 01.01.2009

**To whom it may concern**

This is to certify that the below stated company

Alico Egypt  
15 Ramo Building  
Al Nasr Road  
ET - Nasr City  
Cairo / Egypt

is an official licensee of SCHÜCO International KG. Alico Egypt is provided with SCHÜCO-Aluminium Systems for the fabrication of doors, windows and facades on a permanently base. All articles which Alico Egypt purchases at SCHÜCO International KG are the original SCHÜCO articles. These articles comply with the high standards of the international Schüco quality.

We furthermore confirm that the staff members of Alico Egypt are participating continuously in our special SCHÜCO training programme in order to gain theoretical knowledge and practical skills. In addition, they have been trained towards SCHÜCO processing and handling guidelines for the fabrication of SCHÜCO Aluminium Systems.

Therefore Alico Egypt meets all preconditions for the fabrication and installation of SCHÜCO systems and complies with the high requirements of SCHÜCO International KG. Alico Egypt has a long experience in the field of fabricating SCHÜCO curtain wall systems and has carried out several international projects with SCHÜCO.

We have a close partnership with Alico Egypt as one of the most suitable partners who will deal in cooperation with SCHÜCO International for further international projects.


SCHOCO International KG  
i. V.  
  
Thomas Hausfelder

Schüco International KG  
Karolinenstraße 1-15 - 33609 Bielefeld  
Telefon +49 521 783-0  
Telefax +49 521 783-451  
www.schueco.de - info@schueco.com

Sitz der Gesellschaft und Registergericht:  
Bielefeld - Handelsregister HRA 8135  
USt-Id.Nr. DE 124 00 13 63

Deutsche Bank Bielefeld  
Kto. 058 07 87 - BLZ 480 700 20  
Sparkasse Bielefeld  
Kto. 65 00 22 55 - BLZ 480 501 61  
Westdeutsche LB Düsseldorf  
Kto. 99 99 38 - BLZ 300 500 00

# WICONA License

 **Hydro**

**WICONA**  
TECHNIK FÜR IDEEN

Dubai, May 20<sup>th</sup>, 2019

M/s.: Alico Egypt

Subject: Authorized Fabricator for Wicona in Egypt

**TO WHOM IT MAY CONCERN**

Dear Sir, Madame,


We hereby certify that Alico Egypt is qualified to fabricate and install our comprehensive Aluminum Systems in their premises and production setups and they meet our standards and requirements to undertake any project using Wicona products in the Egypt.

Considering Alico Egypt is Wicona's authorized fabricator in Egypt, we hereby confirm our intention to share and extend all our technical expertise in the project segment, starting from selection of products, design, logistics, fabrication and installation, throughout the project in line with our own standards and prerequisite performance noting that All our systems are certified and tested based on the international norms and standards (EN, BS, ASTM, AAMA).

Furthermore, all our profiles will be extruded by Wicona approved extruders in Egypt and Middle East, which means that all deliveries are 100% supplied and guaranteed by Wicona as we manage the full procurement process.

Alico Egypt can count on the full support of WICONA technically and logistically in order to provide the highest service and quality as per system recommendations and guidelines.

Should you require any further information or details, please do not hesitate to contact the under signed.

Best Regards,  
Ahmad JOUNAIDI  
  
**WICONA**  
TECHNIK FÜR IDEEN

Commercial Manager  
Wicona / Hydro Building Systems Middle East

Hydro Building Systems Middle East FZE  
137866  
P.O Box 263237 - Dubai  
Jebel Ali Free Zone  
122759  
United Arab Emirates

Visiting Address: www.hydro.com  
JAFZA One Business Center  
Office 2512 - 2513

Registration No.  
T: +97 1 4 8870096  
License No.

# DOW License



# ISO Certificate



## List Of Projects

*ON GOING*

1- Grand Egyptian Museum



2- The New Opera House (New capital)



3- Ministry of Defense Main Building, B1 & B2



4- The New Cabinet (New capital)



5- Massa Six Towers (New ALAMIEN)





## List Of Projects

---

### *High Rise Buildings*

1. Nile City Towers Complex (Corniche Al-Nile)
2. Saint Regis Hotel Qatar Diar (Corniche Al-Nile)
3. Saudi Embassy (Corniche Al-Nile)
4. San Stefano Complex (Alexandria)

## List Of Projects

---

### *Embassies*

1. Kuwait Embassy (Corniche Al-Nile)
2. Oman Embassy (Corniche Al-Nile)
3. Saudi Embassy (Corniche Al-Nile)
4. French Embassy (Corniche Al-Nile)

## List Of Projects

---

### *Complex*

1. City Stars Mall, Sky Lights & Capitals ( Heliopolis)
2. Nile City Complex (Corniche Al-Nile)
3. San Stefano Complex (Alexandria)
4. Cairo Festival City Retail, IKEA & Sales Center (New Cairo)

## List Of Projects

---

### *Hospitals*

1. Dar AL-Foad New Hospital (Nasr City)
2. Salam AL-Katamyia Hospital (Katamyia)
3. AL-Salam AL-Dawly Hospital Renovation (Maadi)
4. Air Force Army New Hospital (Abassia)
5. Children's Oncology Hospital (Cairo)
6. Children's Oncology Hospital (Tanta)
7. National Eye Hospital (Cairo)

## List Of Projects

---

### *Ports*

1. Cairo International Airport (Transit Hall TB 1)
2. Cairo International Airport TB3
3. New Control Tower
4. VIP Hall - Cairo International Airport
5. Port Said East Port
6. Hurghada Airport
7. Sharm EL-Sheikh Airport Mall
8. Borg EL-Arab Airport

## List Of Projects

---

### *Hotels*

1. AL-Massah New Entity Hotel (New Capital)
2. Vida Alamien Hotel (Emaar) (Alamien)
3. Marriot Renaissance Hotel (Alexandria)
4. Saint Regis Hotel Qatari Diar (Cornish Al-Nile)
5. Hilton Heliopolis Extension (Heliopolis)
6. Nile City Fairmont Hotel (Cornish Al-Nile)
7. Sofitel Gezira Hotel Renovation (Cornish Al-Nile)
8. Sonesta Hotel Cairo - New Extension (Cairo)
9. Golden Domes (Cairo)

## List Of Projects

---

### *Schools & Universities*

1. Arab Academy for Sci. & Tech. (Maadi)
2. Smart School Phase 2 (Smart Village)
3. Smart School Phase 3 (Smart Village)

## List Of Projects

---

### *Banks*

1. National Societe Generale Bank (QNB) (Down town Cairo)
2. Arab United Bank (Down town Cairo)
3. NBD (ADIB) (Down town Cairo)
4. African Export - Import Bank (Heliopolis Cairo)
5. HSBC New Office Building (Maadi)
6. Ahly United Bank (New Cairo)
7. BNP Paribas (Emirates NBD) (New Cairo)
8. Credit Agricole (New Cairo)
9. HDB (NBE) (New Cairo)
10. National Bank of Abu-Dahbi (New Cairo)
11. HSBC (Smart Village)

### *Conference Exhibition Centers*

12. Conference Exhibition Centers Building (ABK) (Smart Village)
13. Alexandria Bank (Intesa Sanpaolo) (Smart Village)
1. New Conference Exhibition Center (AL-Moshier)
14. AEGIC (Smart Village)

## • List Of Projects

## List Of Projects

---

### *Office Building Smart Village*

1. Pyramids Smart Village-Call center & IT Headquarters
2. Smart Village Pavillion
3. Ministry Of Communication - Building b1
4. Vodafone Link Building - Smart Village
5. Ministry of Communications B124 Buildings
6. Mobinil Office Building
7. Nile Financial Leasing Building
8. Raya Office Building
9. Delta Securities Headquarteres buildings
10. Piraeus Bank New Headquarters Building
11. HSBC
12. CICH (CIB)
13. HC Securities
14. Belton Financial
15. EFG Herms
16. ACT Co. & Incolase Co. Building (A-13)-Smart Village

## List Of Projects

---

### *Office Building*

1. Dar El-Tahrir El Gomhoria Headquarters (Down Town)
2. Tawakol Office building (Heliopolis)
3. Pfizer Office Building (Dokki)
4. Mr. Sherif El Zayat Office Building (Maadi)
5. Boomerang Office Building (New Cairo)
6. Pgesco Office Building (New Cairo)
7. Living In New Head Quarters Building (New Cairo)
8. 47th Project (New Cairo)
9. Chamber of Commerce (New Cairo)
10. Misr Clearing (New Cairo)
11. The Polygon SODIC (Sheikh Zayed)

## List Of Projects

---

### *Over Seas*

1. Sonal Gas Office Building (ALGERIA)
2. Hotel Mogador Casablanca (MOROCCO)
3. Swani Hospital (LIBYA)



## List Of Projects

---

### *Residential Compounds*

1. Marassi 19 BP (North coast)
2. Marassi Catanya village (North coast)
3. Marassi 18 BP (North coast)
4. Marassi 13 BP (North coast)
5. Marassi 11 B (North coast)
6. Hyde Park Town Homes @ Garden Heights Project (New Cairo)
7. Uptown Cairo Village ( I ) package 12 A (Mokatam)
8. Uptown Cairo Village H & J (Mokatam)
9. Mivida parcel 2,4 (New Cairo)
10. Mivida parcel 3 (New Cairo)
11. Sharm El Sheikh Resort - Estate Villas Development (Sharm EL-Sheihk)

Photos Gallery

Dar HQ Smart Village





Photos Gallery

Nile City Towers Complex





Photos Gallery

Cairo Airport TB3



Photos Gallery

Borg AL-Arab Airport



Photos Gallery

City Stars Complex





Photos Gallery

San Stefano Complex





Photos Gallery

Hilton Heliopolis Hotel



Photos Gallery

Oncology Hospital (57357)





Photos Gallery

Emirates NBD



Photos Gallery

Smart Village





Photos Gallery

Hotel Mogador Casablanca



## Photos Gallery

Misc.



Saint Regis Hotel Qatar Diar



Saudi Embassy



Air Force Hospital Abbasia



B47 New Cairo

## Contact Us

---

### **Headquarter :**

*Address:* 105 Omar Ibn El-Khattab, Oscar Building, Heliopolis, Cairo-Egypt.

*Telephone:*+ (202) 241 700 44 (5 lines).

*Fax:* + (202) 241 535 08

### **Factory :**

*Address:* Suez Industrial Zone, Ain Sukhna, Suez, Egypt.

*Telephone:*+ (062) 371 06 66.

*Fax:* + (062) 371 06 68

### **E-mail:**

[mail@alicoegypt.com](mailto:mail@alicoegypt.com)

[hr@alicoegypt.com](mailto:hr@alicoegypt.com)

### **Commercial Manager:**

**Mr. Mohamed Wahid**

*Telephone:* +(020) 1207255277

*Mail:* [Mohamed.Wahid@alicoegypt.com](mailto:Mohamed.Wahid@alicoegypt.com)

[Mohamed.Elhamalawy@alicoegypt.com](mailto:Mohamed.Elhamalawy@alicoegypt.com)