

SOLO

PARTITION SYSTEM



SCAN ME :)

HEAD QUARTERS & SHOWROOM Mohandessin
37 Ahrar Street Mohandessin, Giza, Egypt

Website: www.mobica.net
Hotline: 16992

mobica.

mobica.



SOLO

PARTITION SYSTEM



Our world-class SOLO partition system is designed for maximum transparency, flexibility, and durability. The system is composed of glass panels that are tightly bonded together and then fastened to the thinnest aluminum profiles worldwide to present a flush and sleek aesthetic. Either sliding or swing doors, they are seamlessly incorporated in the design. SOLO is available with glass and wood panels.

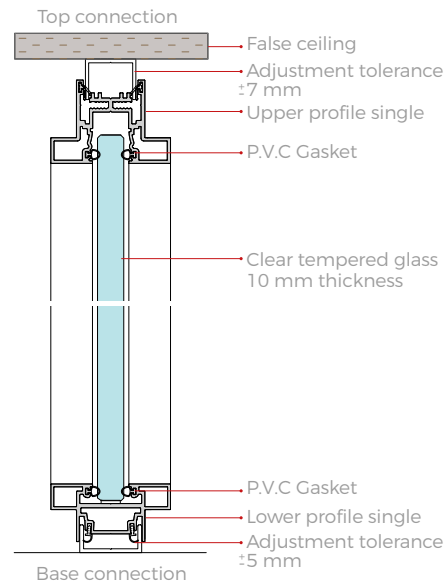
SOLO

DEMOUNTABLE PARTITION SYSTEM - SINGLE PROFILE



DESCRIPTION:

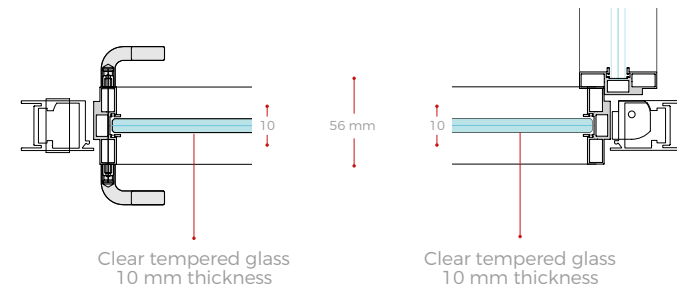
- Solo wall partition single paneling system delivers diversity and flexibility within its electrostatic colored extruded aluminum profiles.
- The partition is provided with a single 10mm tempered glass panel.
- The glass wall system can be supported with a hinge or a sliding doors and a single glass panel (Tempered or Laminated).
- The partition thickness 56 mm, width and length to be determined according to space and customer request.



DOOR PIVOT SYSTEM

DESCRIPTION:

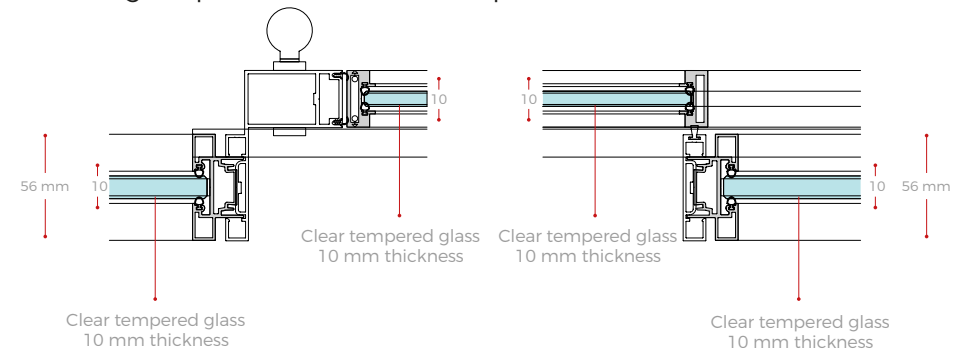
- Solo system pivot single panel door is supported with aluminum profiles in colored electrostatic powder-coated finish.
- The door is provided with a single 10mm tempered glass panel.
- The door system is available only with solo hardware accessories.
- The door thickness is 56 mm, width and length to be determined according to space and customer request.



DOOR SLIDING SYSTEM

DESCRIPTION:

- Solo system sliding single panel door is supported with aluminum profiles in colored electrostatic powder coated finish.
- The door is provided with single 10mm tempered glass panel.
- The door system is available only with solo hardware accessories.
- The door thickness is 56 mm, width and length to be determined according to space and customer request.



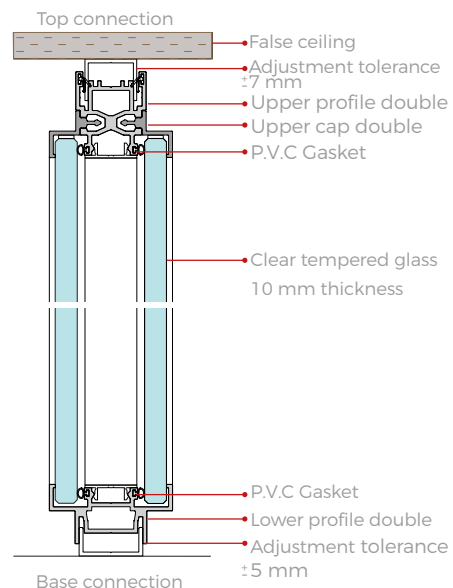
SOLO

DEMOUNTABLE PARTITION SYSTEM - DOUBLE PROFILE



DESCRIPTION:

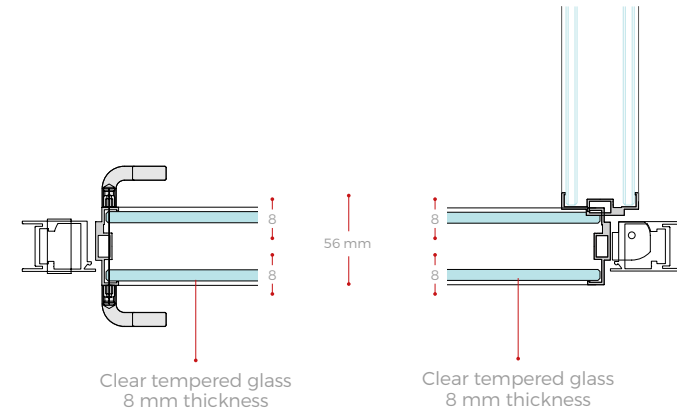
- Solo wall partition double paneling system delivers diversity and flexibility within its electrostatic colored extruded aluminum profiles.
- The partition is provided with double 10mm tempered glass panel.
- The glass wall system can be supported with hinge or sliding doors and with double glass panels (Tempered or Laminated).
- The partition thickness is 56 mm, width and length to be determined according to space and customer request.



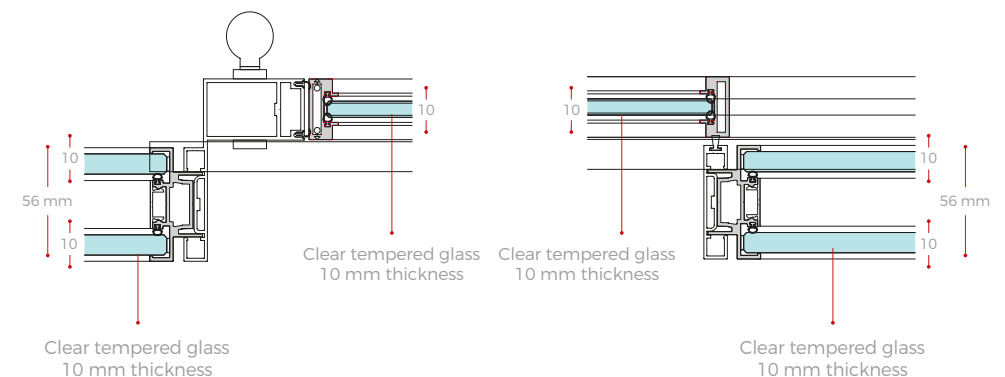
DOOR PIVOT SYSTEM

DESCRIPTION:

- Solo system pivot double panels door is supported with aluminum profiles in colored electrostatic powder-coated finish.
- The door is provided with double 8mm tempered glass panel.
- The door system is available only with solo hardware accessories.
- The door thickness is 56 mm, width and length to be determined according to space and customer request.

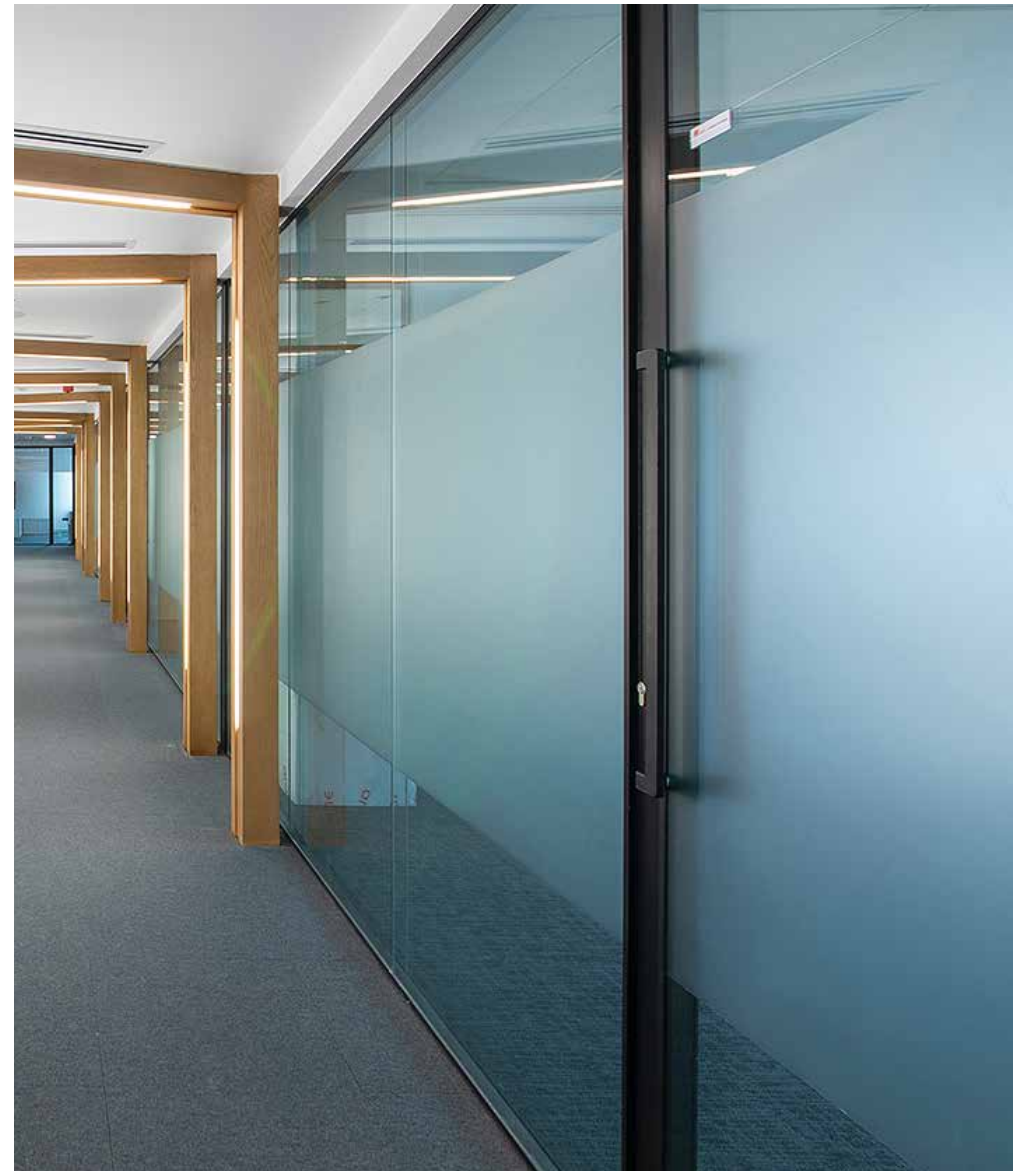


DOUBLE SLIDING DOOR SECTIONS





SOLO PARTITION
(Single)



SOLO PARTITION
(Double)



SOLO PARTITION
(Double)

ALUMINIUM PROFILE



White



Off White



Graphite



Black



Copper

SOLO

DOUBLE PROFILE



SOLO
DOUBLE PROFILE

