

# SLIDING

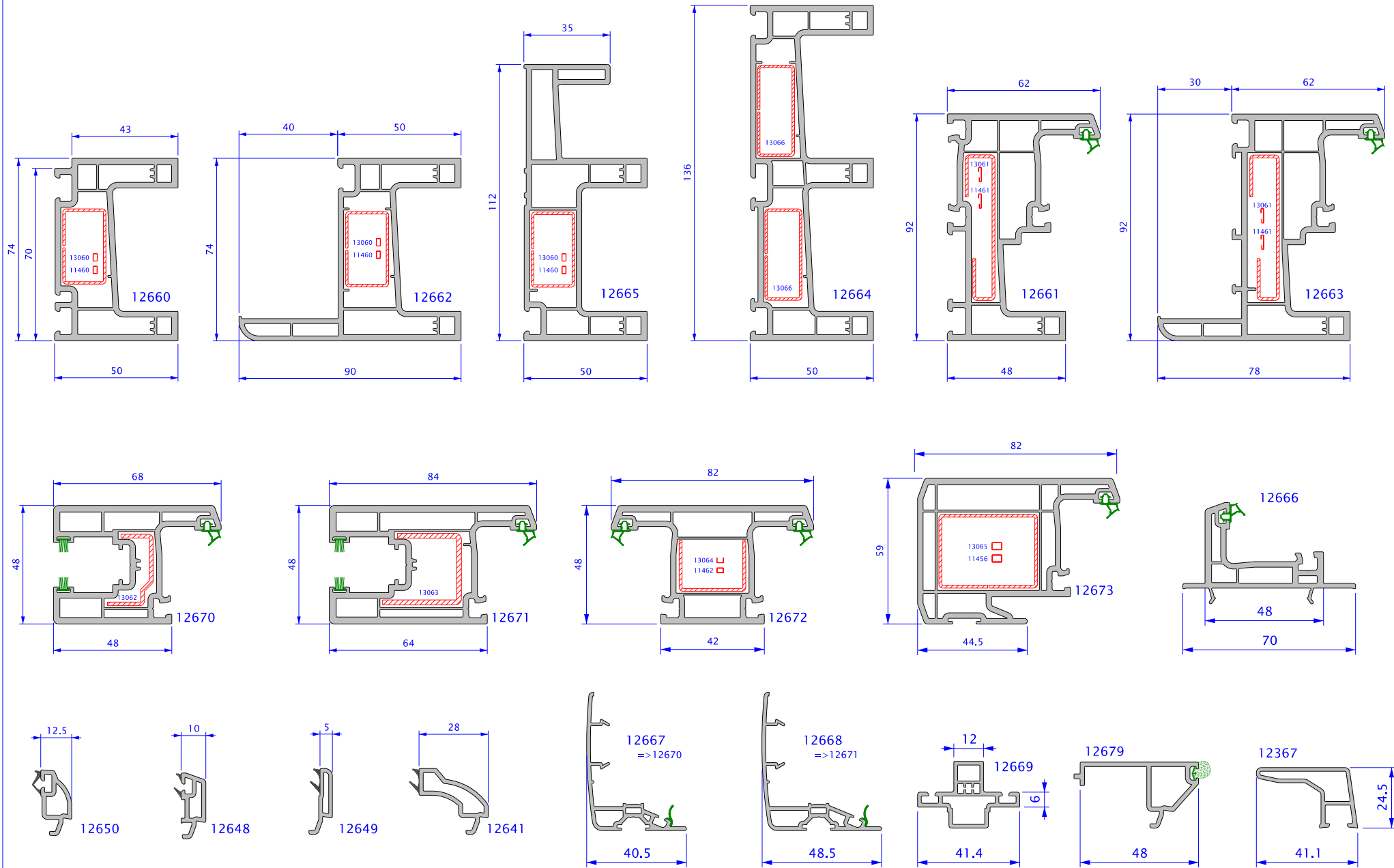


## Technical Manual

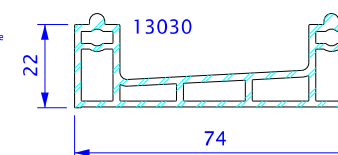
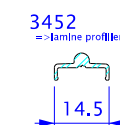
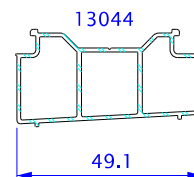
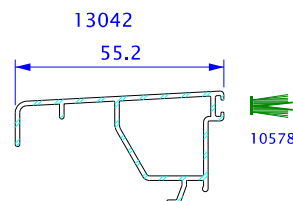
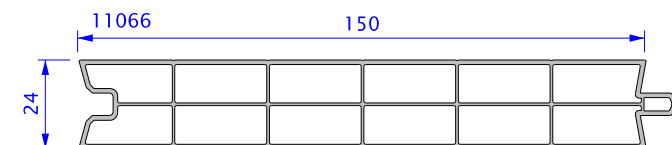
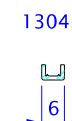
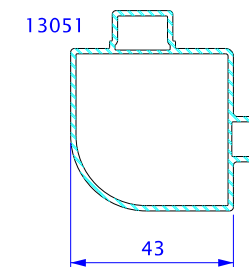
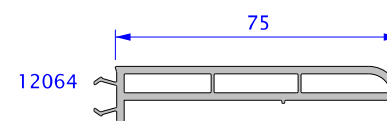
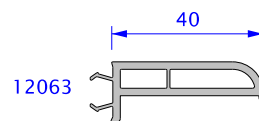
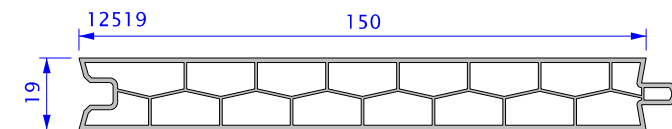
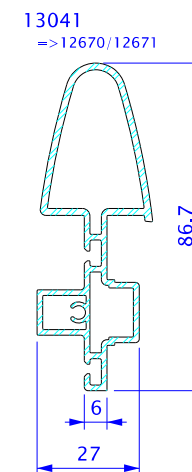
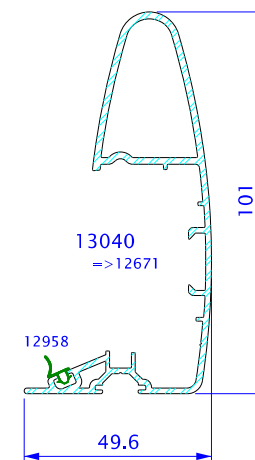
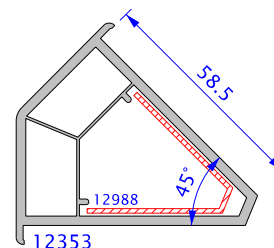
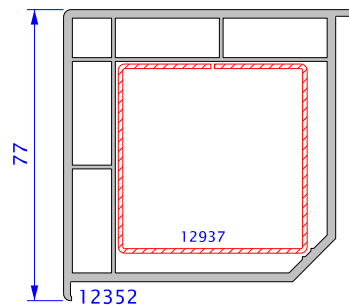
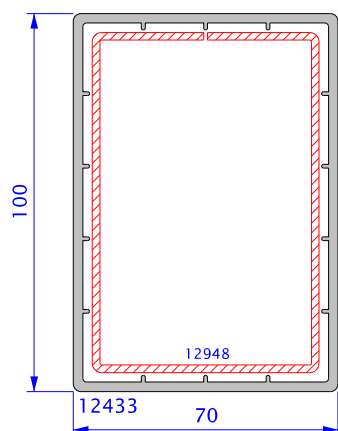
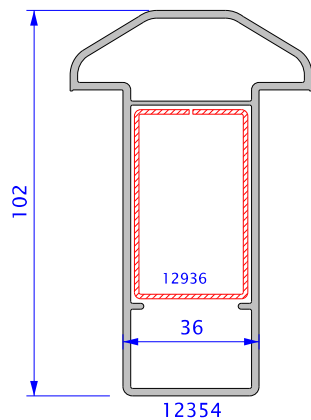
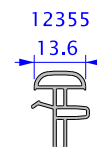
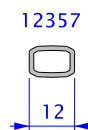
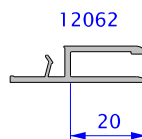
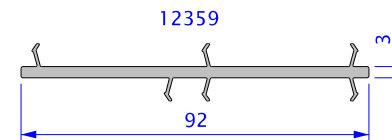
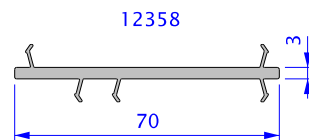
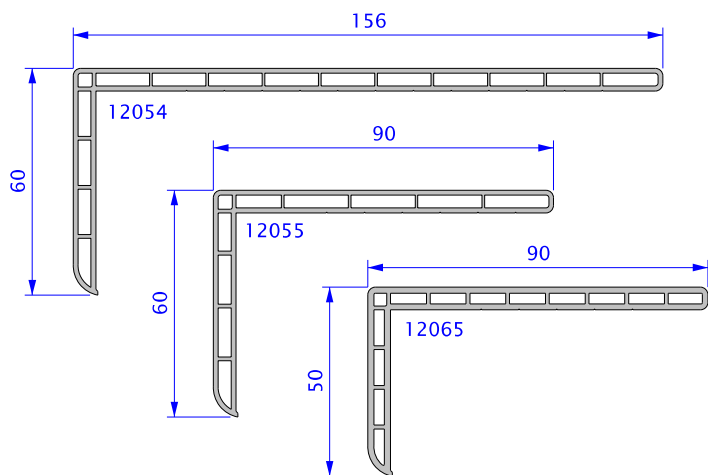
**deceuninck**

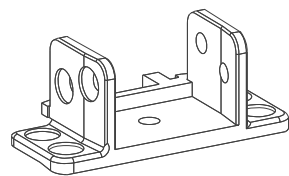
APRIL 2015

	page number
System overview	1.1 – 1.7
Main profiles	1.1
Accessory profiles	1.2
Accessory products	1.3
Glazing beads	1.4
Reinforcements	1.5
Application of accessory products	1.6–1.7
Main profiles	2.1 – 2.6
Aluminum profiles	2.7
Sections	
General sections	3.1 – 3.29
Australia sections	3.30 – 3.52
Flyscreen	
System overview	3.53
Sections	3.54 – 3.77

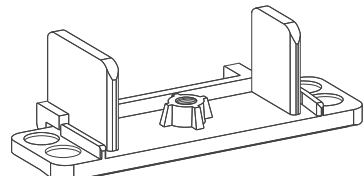


Technical documents are subject to change without notice

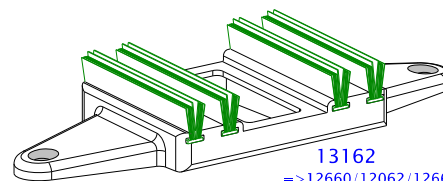




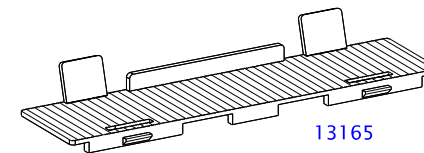
13185  
=>12661/12671



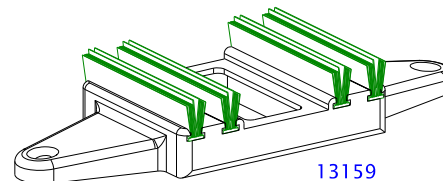
13186  
=>12673



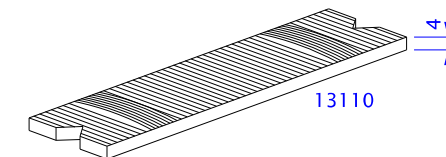
13162  
=>12660/12062/12664



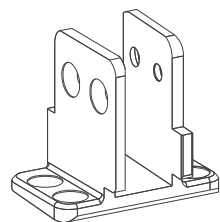
13165



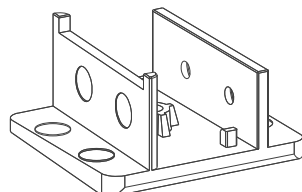
13159  
=>12665



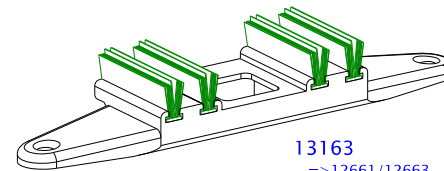
13110



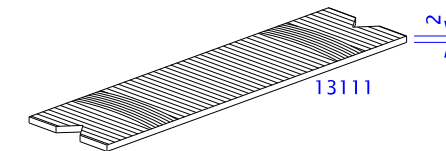
13187  
=>12661



13188  
=>12660

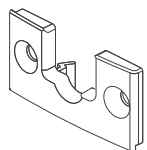


13163  
=>12661/12663

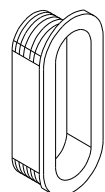
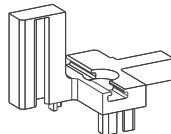


13111

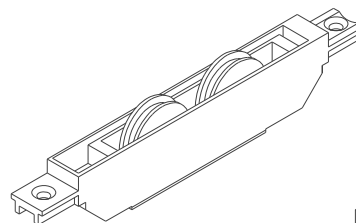
13161  
=>12667-12668



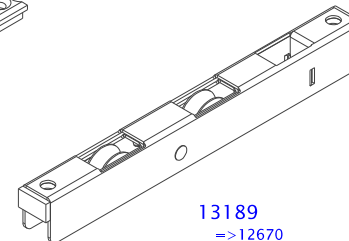
13164  
=>12669



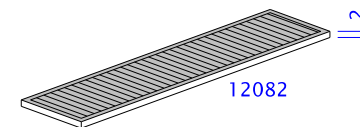
13119



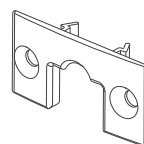
13135  
=>12671



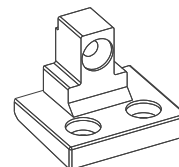
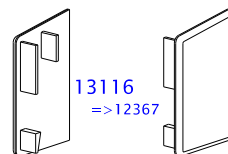
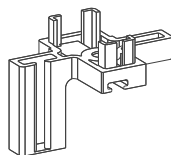
13189  
=>12670



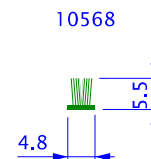
12082



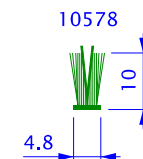
13116  
=>12367



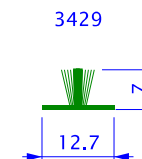
13166  
=>12660/61/63/64/65



10568



10578



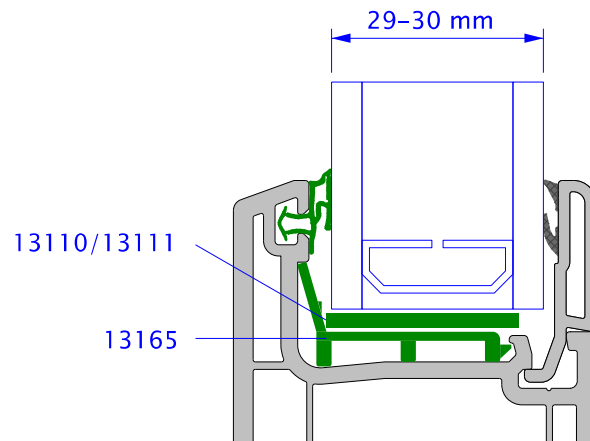
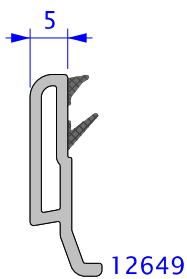
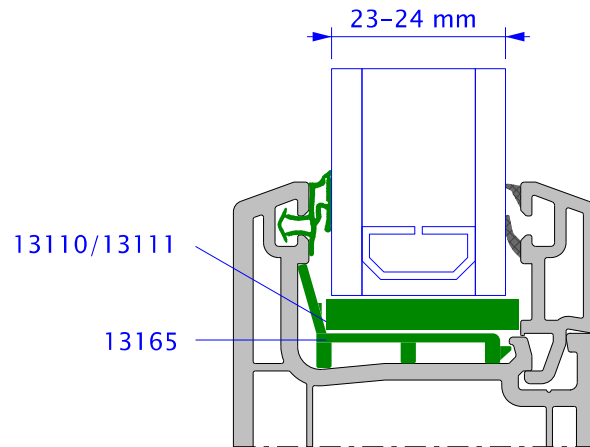
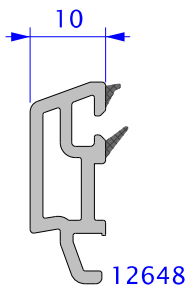
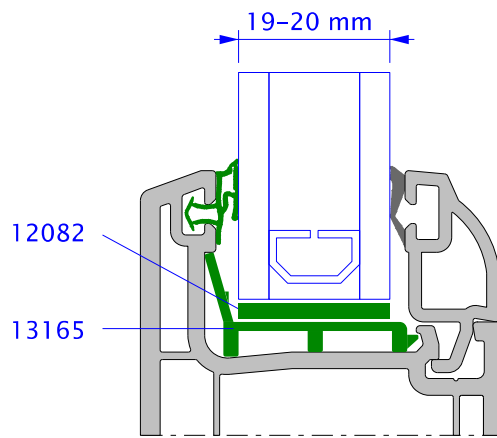
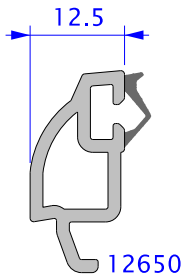
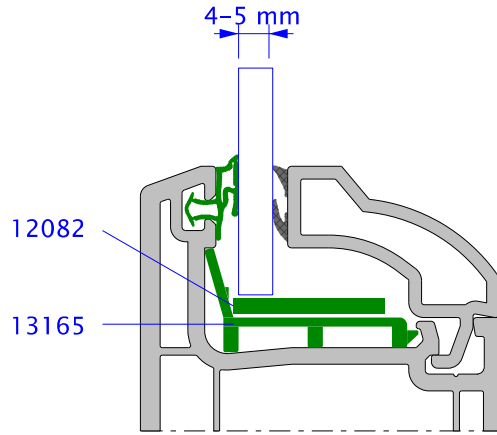
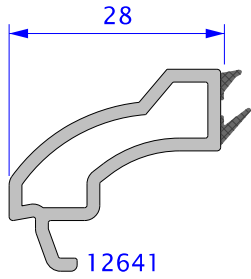
3429

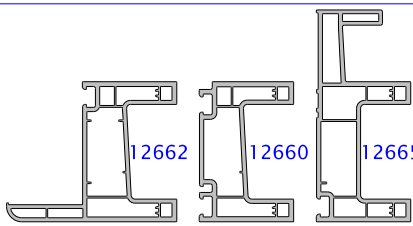
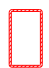

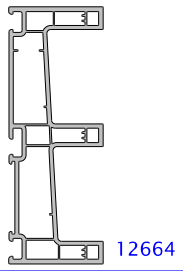

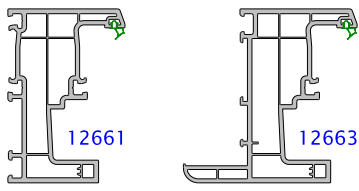
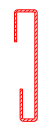

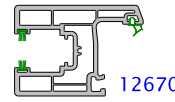

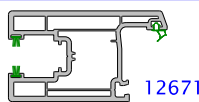

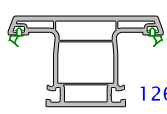


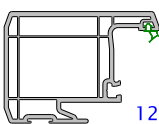


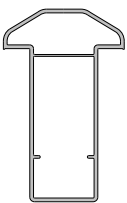
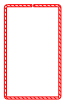
3299

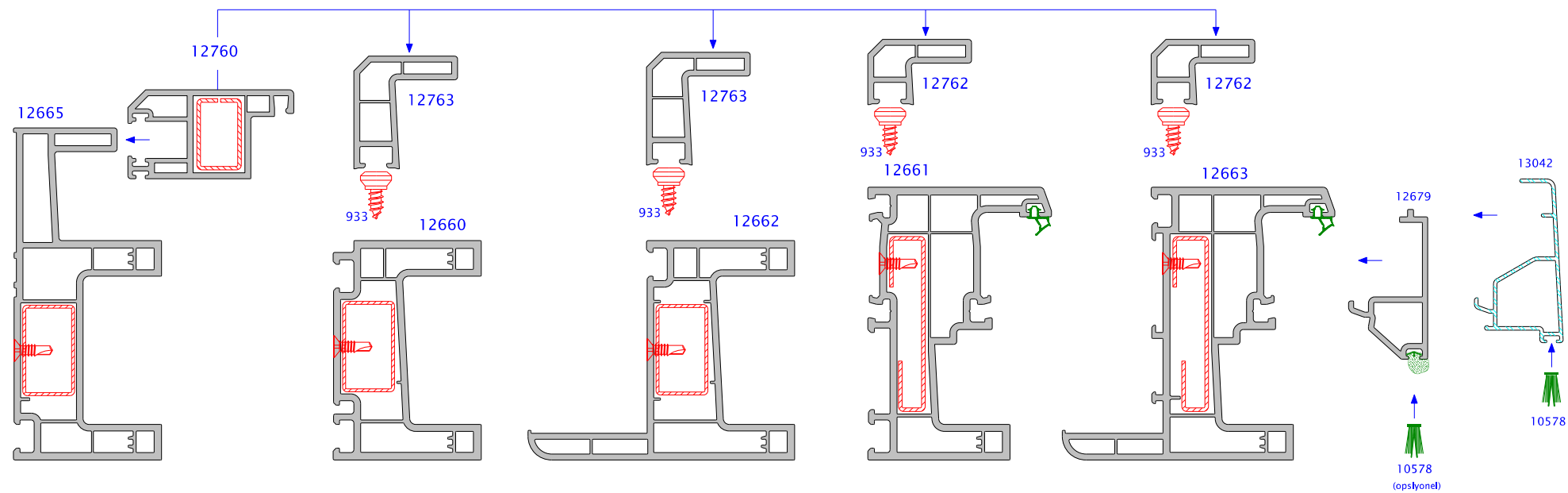
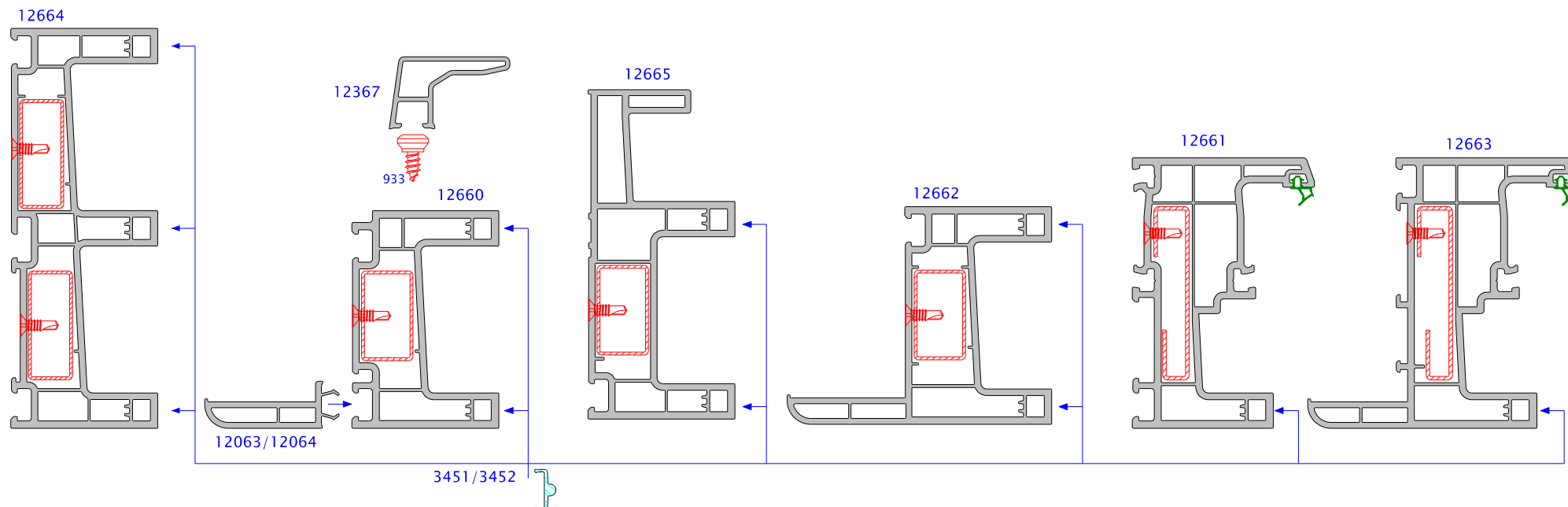


12958

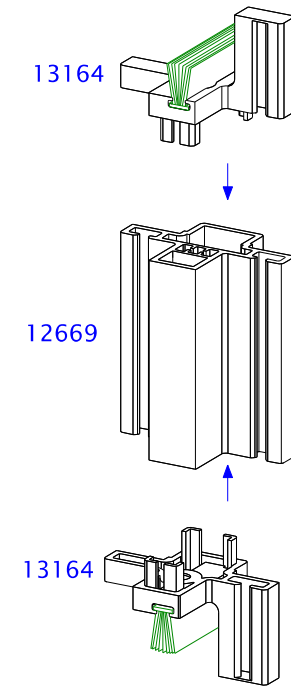
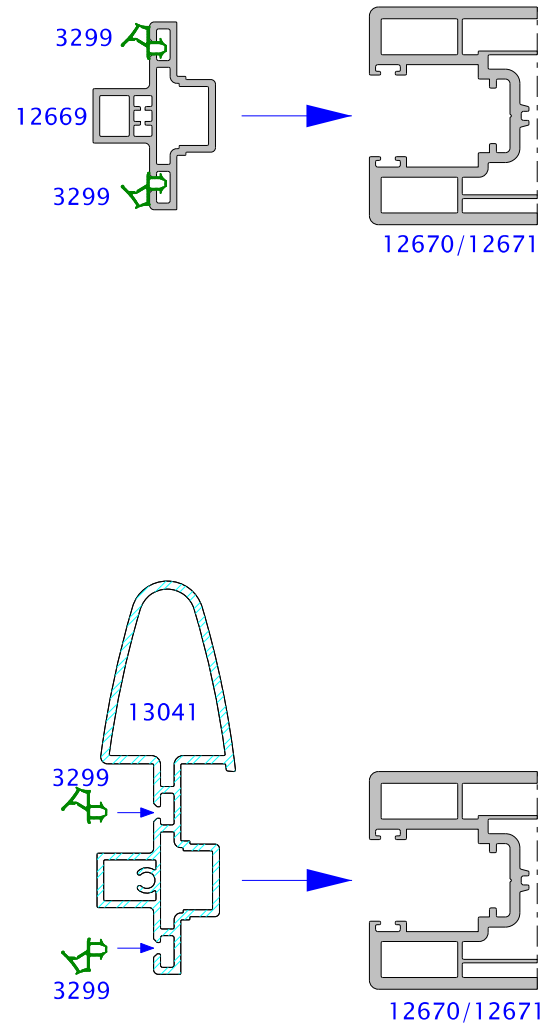
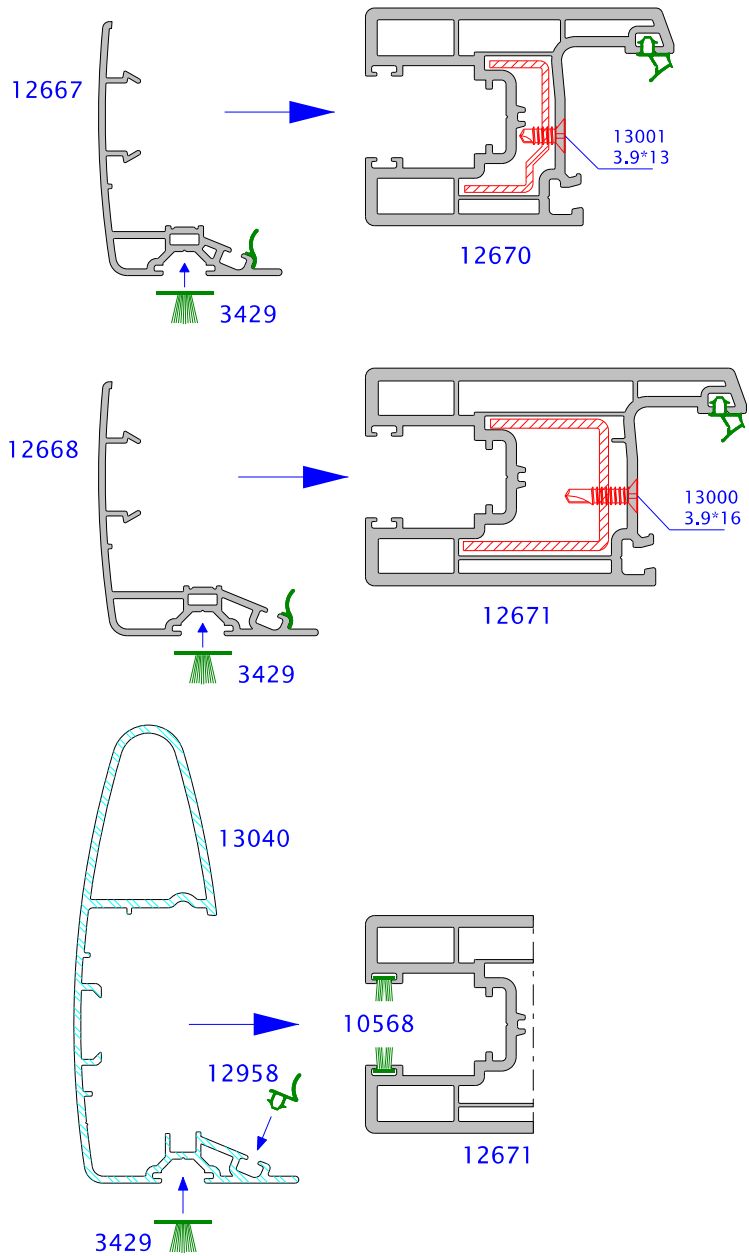


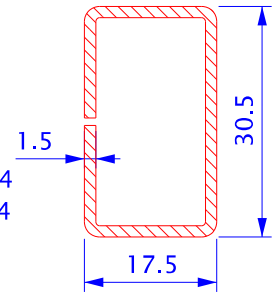
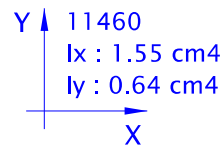
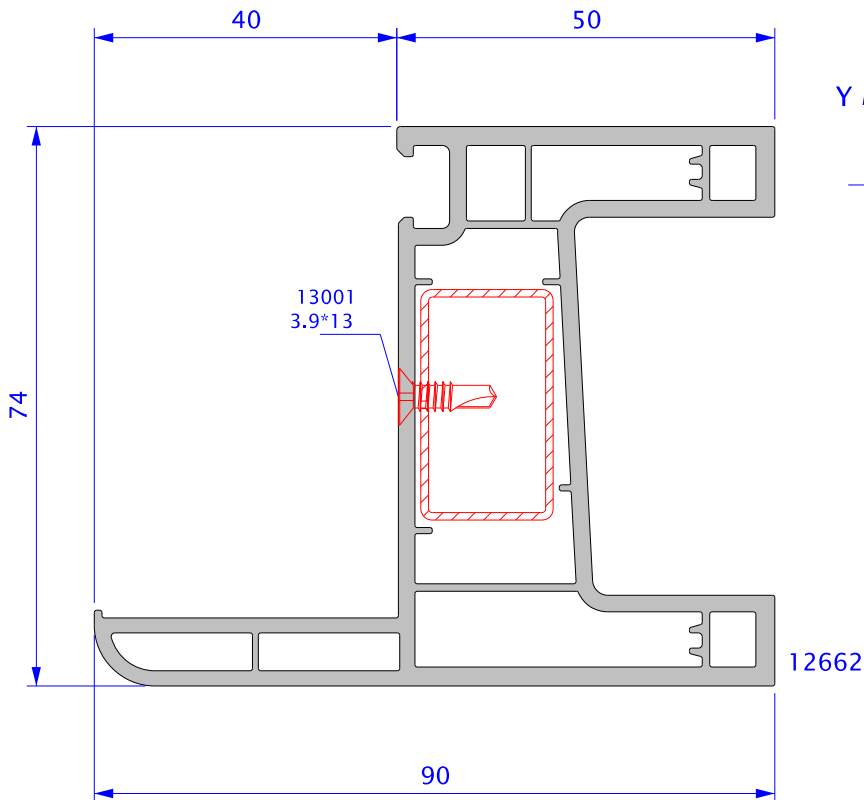
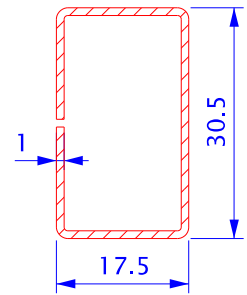
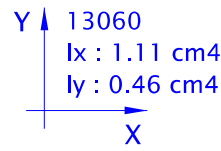
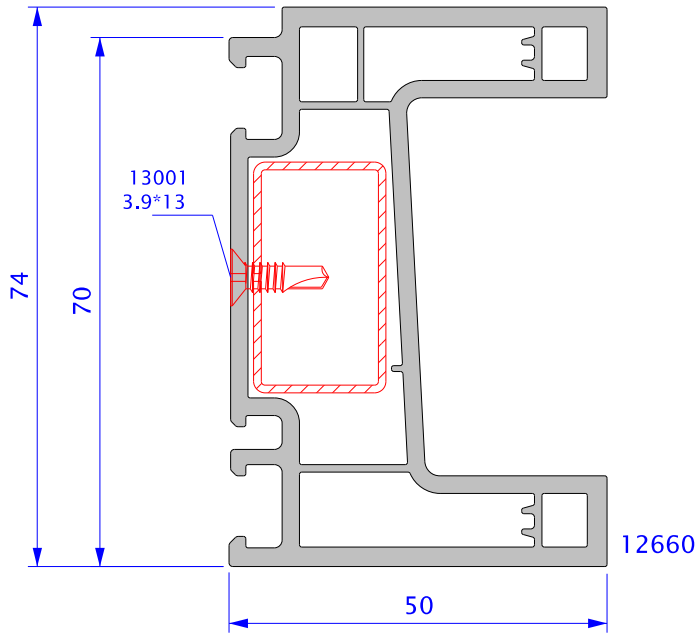


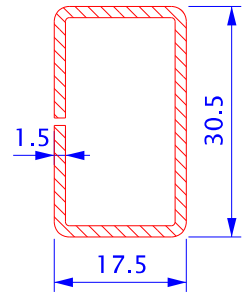
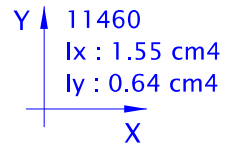
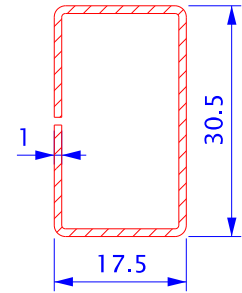
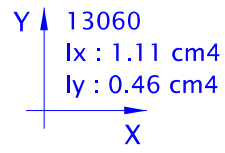
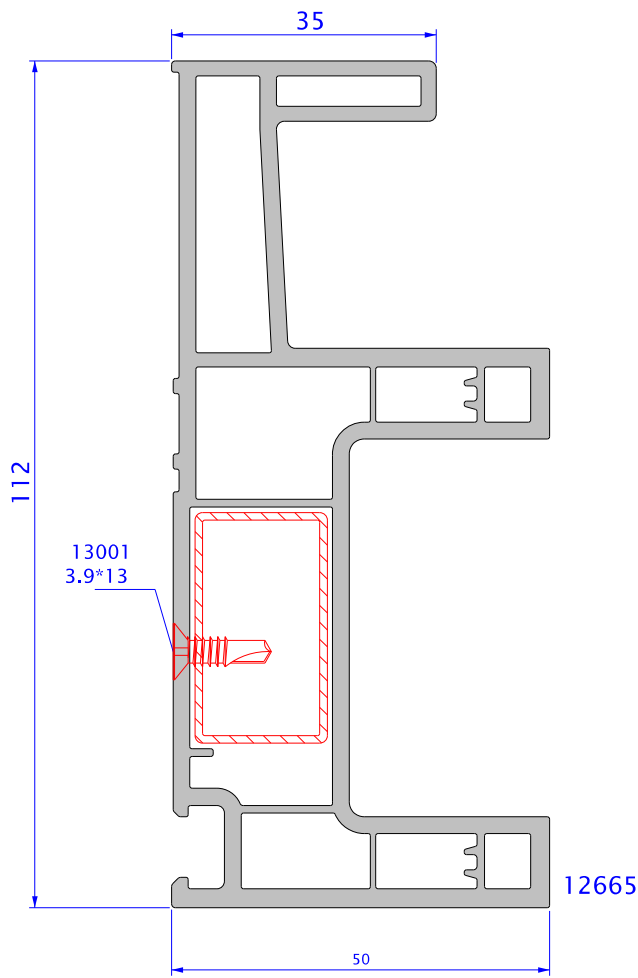
Profiles	Reinforcements	Dimension	Ix (cm <sup>4</sup> )	Iy (cm <sup>4</sup> )
	13060 	17.5x30.5x1	1.1088	0.4653
	11460 	17.5x30.5x1.5	1.5534	0.6409
	13066 	15x37x1	1.6254	0.3952
	13061 	17x12x59x9x17x1.2	5.3734	0.2442
	11461 	17x12x59x9x17x1.5	6.5156	0.2843
	13062 	13x29x18.5x1	0.9879	0.2065
	13063 	26x29x32x1.2	2.3117	1.4916
	13064 	20.5x27x20.5x1.2	0.3398	0.9484
	11462 	20.5x27x1.5	0.8350	1.2909
	13065 	30x40x1.2	2.3507	3.6857
	11456 	30x40x2	3.6187	5.6223
	12936 	50x30x50x14x14x1.2	6.3061	2.8487

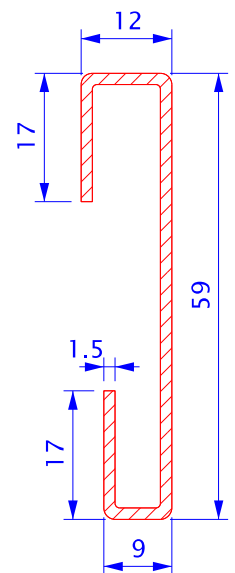
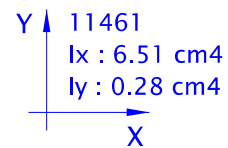
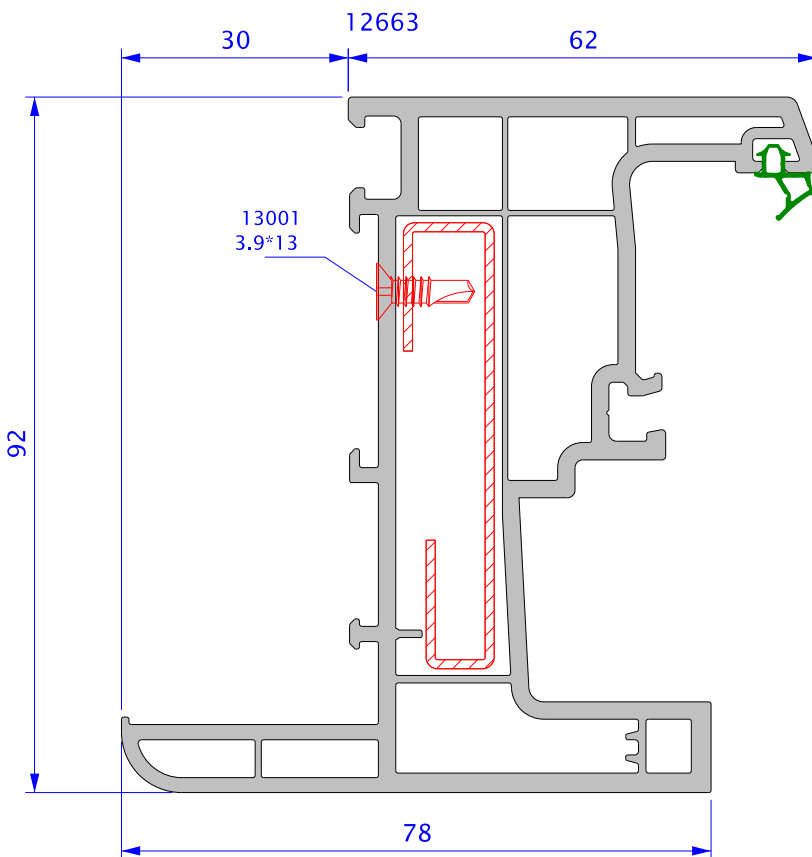
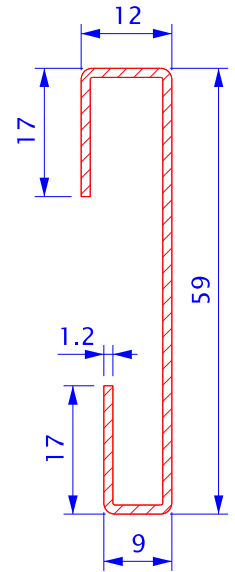
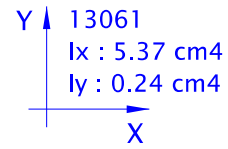
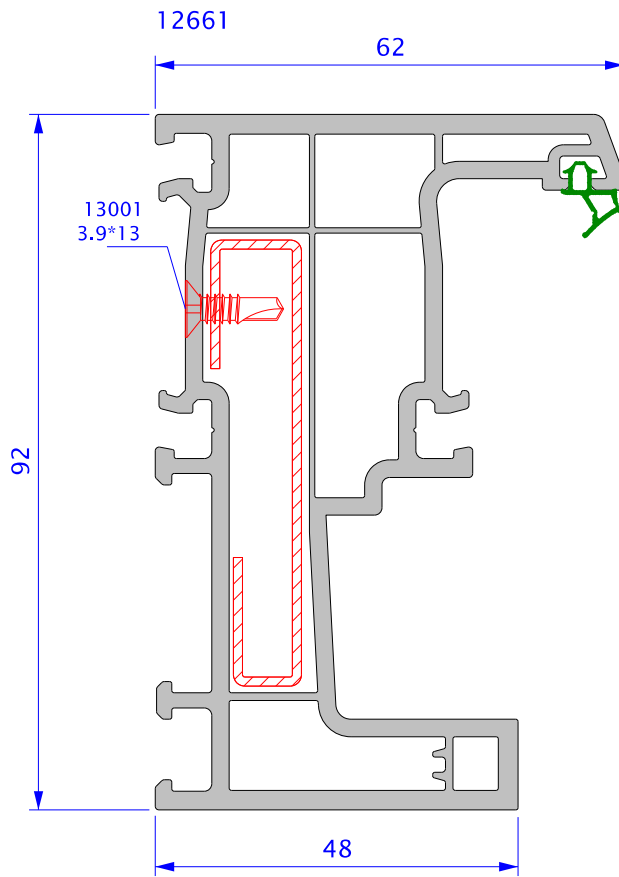


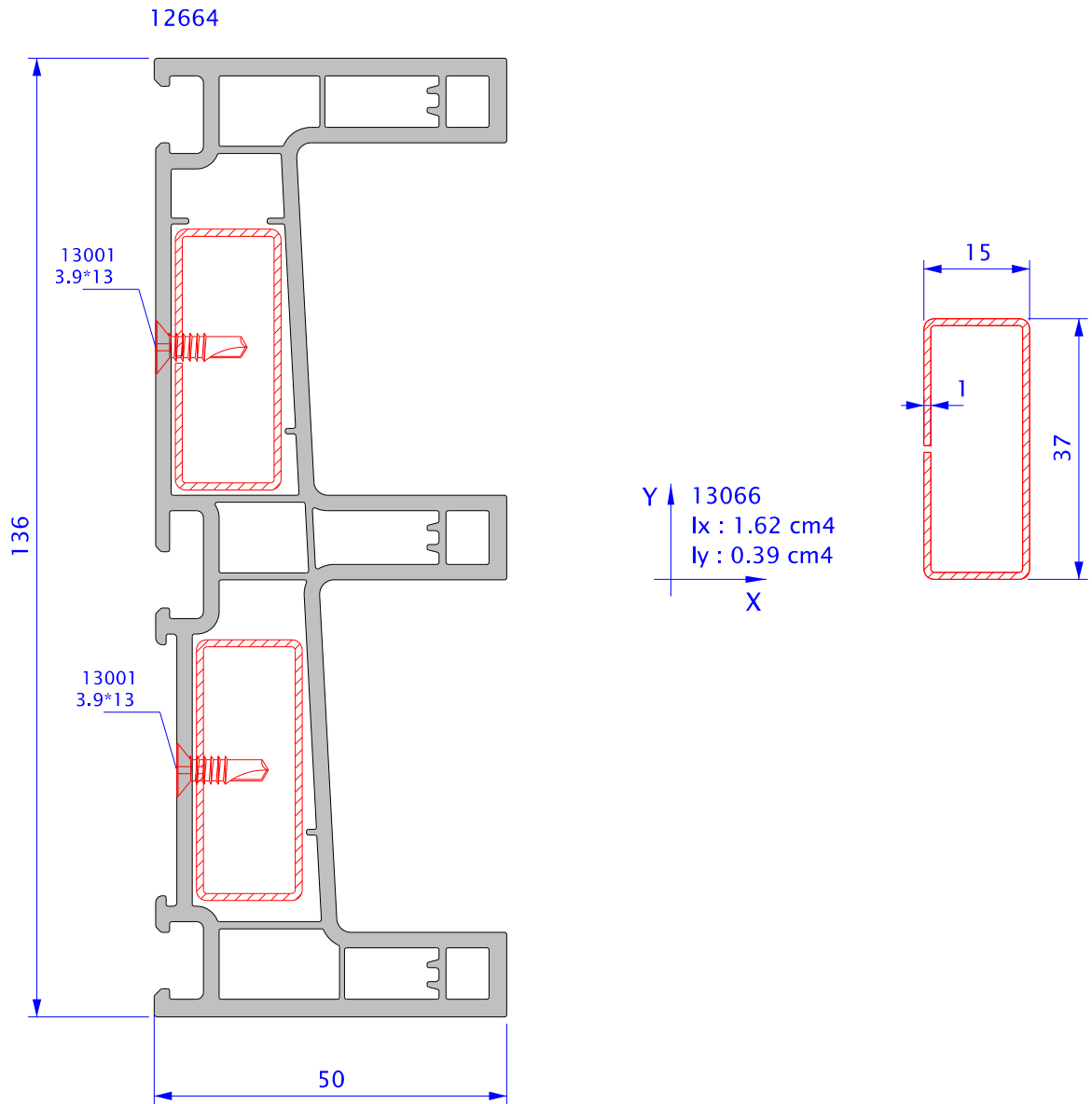


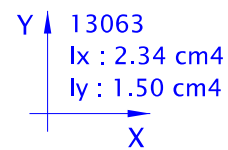
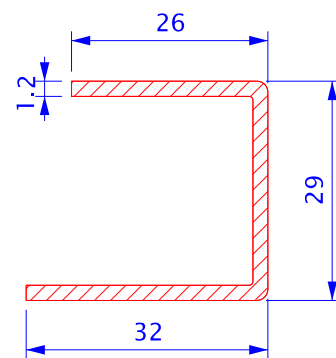
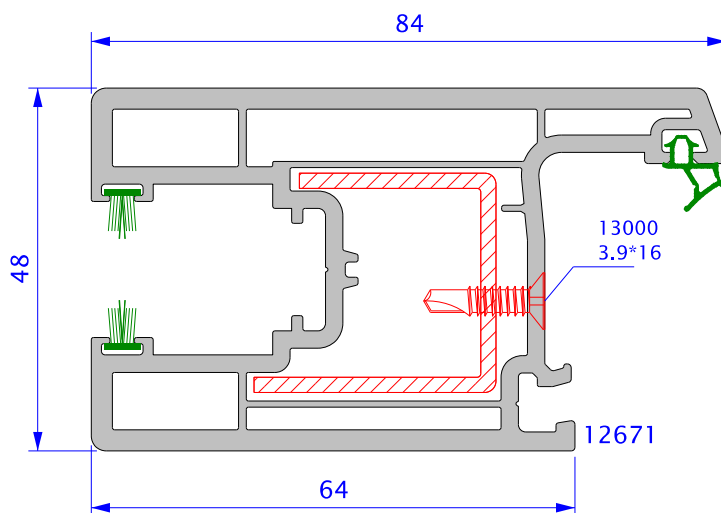
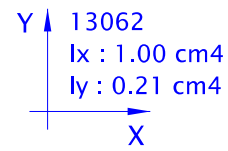
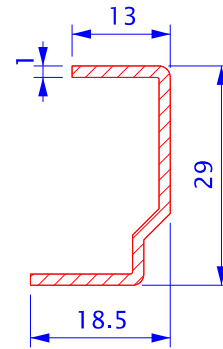
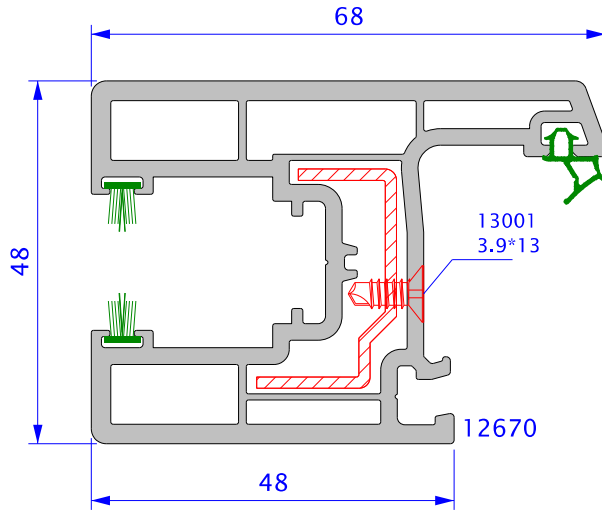


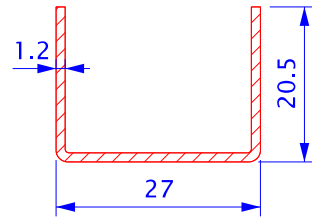
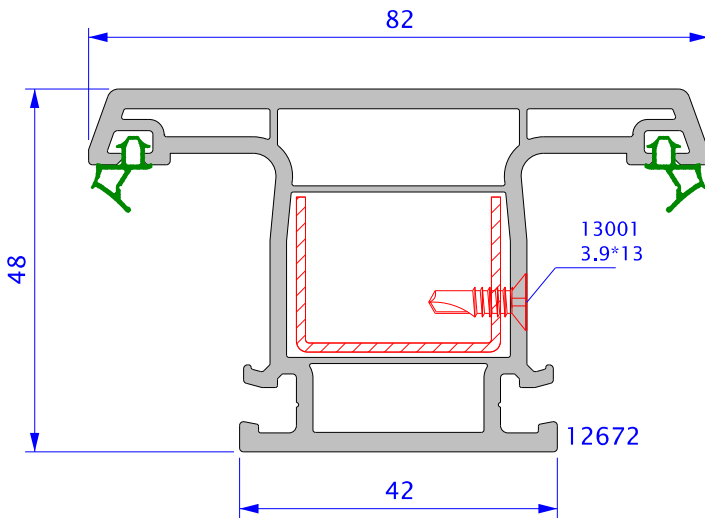




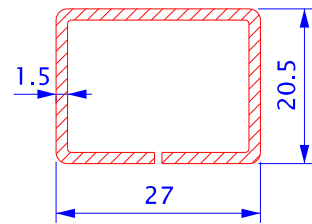




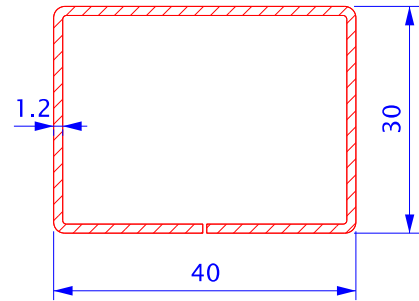
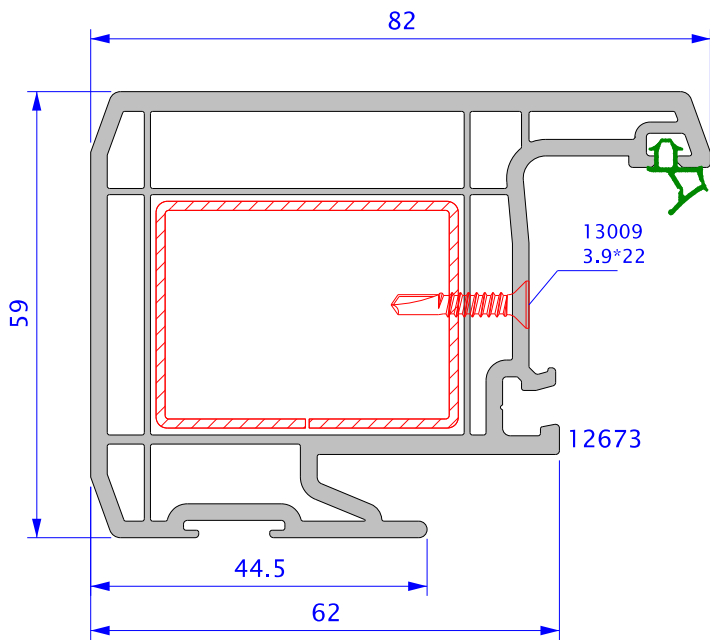




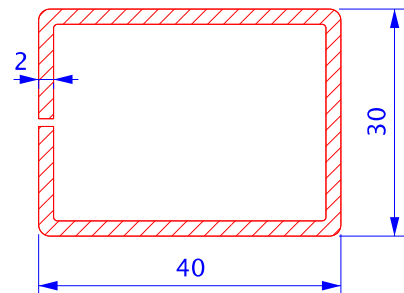
Y ↑ 13064  
 $I_x : 0.34 \text{ cm}^4$   
 $I_y : 0.95 \text{ cm}^4$   
 X →



Y ↑ 11462  
 $I_x : 0.84 \text{ cm}^4$   
 $I_y : 1.31 \text{ cm}^4$   
 X →

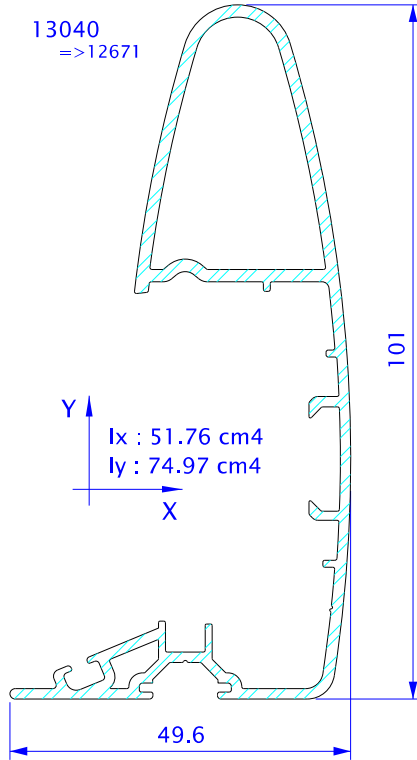


Y ↑ 13065  
 $I_x : 2.36 \text{ cm}^4$   
 $I_y : 3.70 \text{ cm}^4$   
 X →

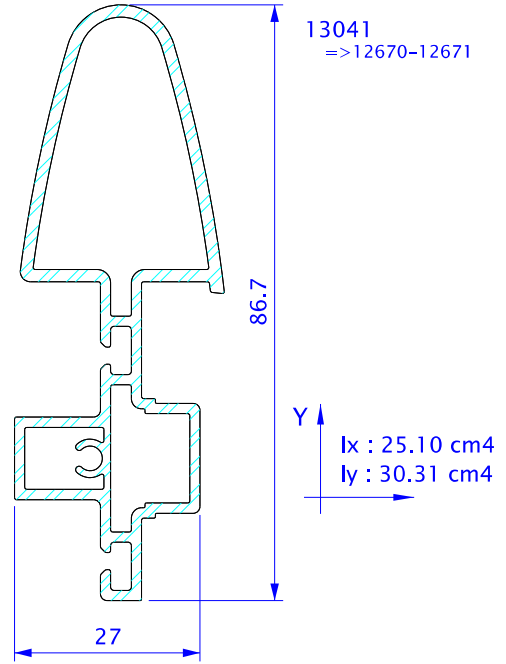


Y ↑ 11456  
 $I_x : 3.68 \text{ cm}^4$   
 $I_y : 5.75 \text{ cm}^4$   
 X →

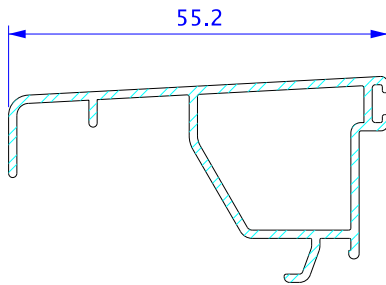
13040  
=>12671



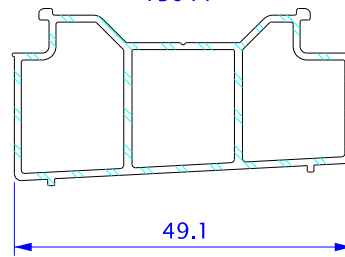
13041  
=>12670-12671



13042



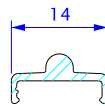
13044



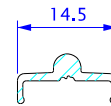
13043



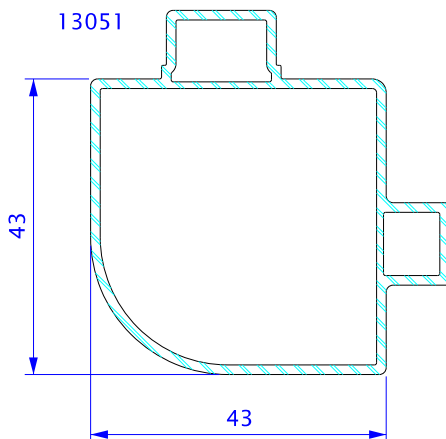
3451  
=>beyaz profiller



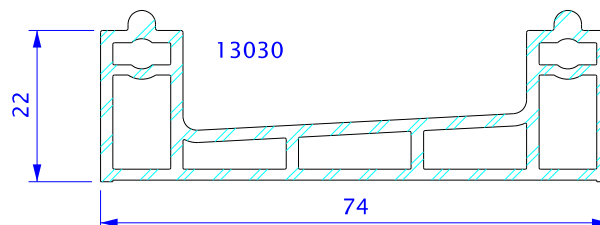
3452  
=>lamine profiller



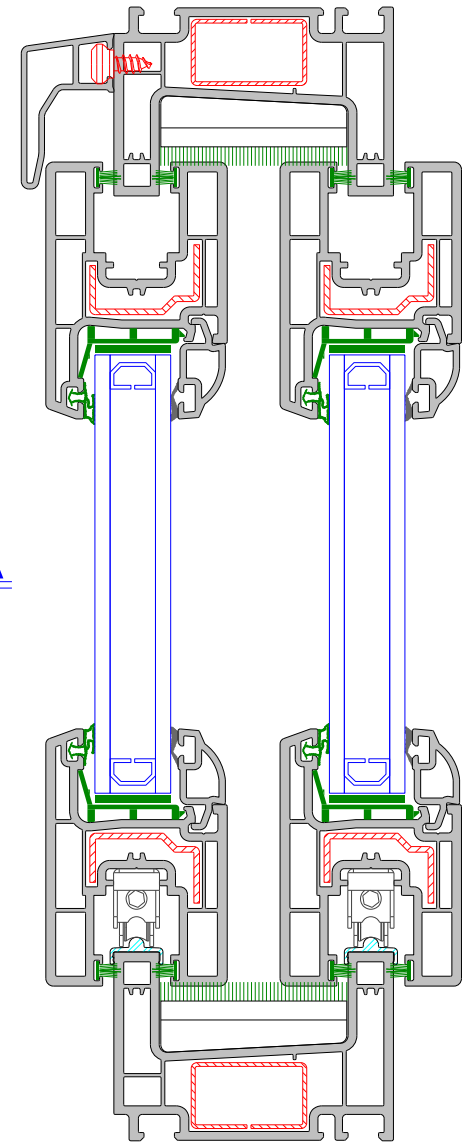
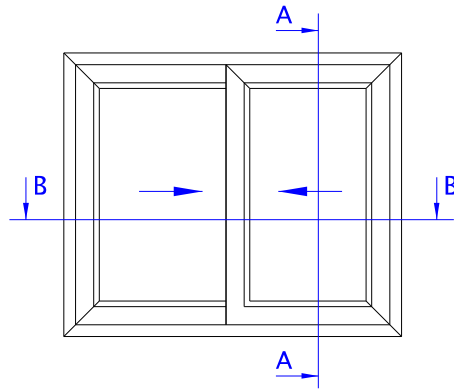
13051



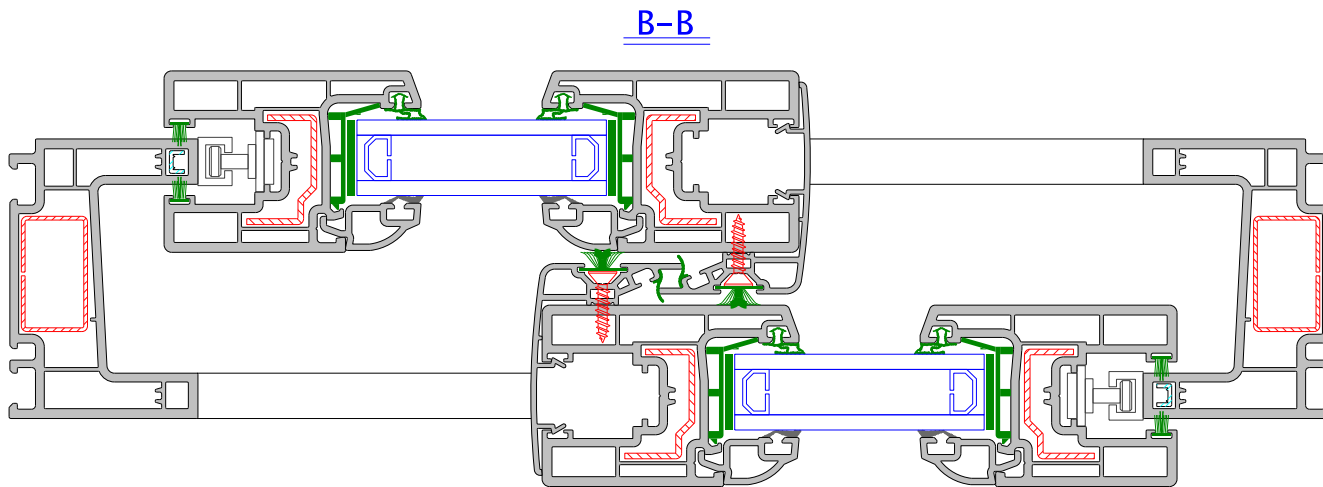
13030



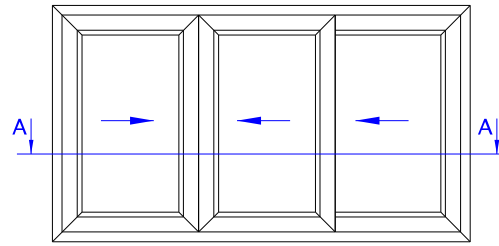




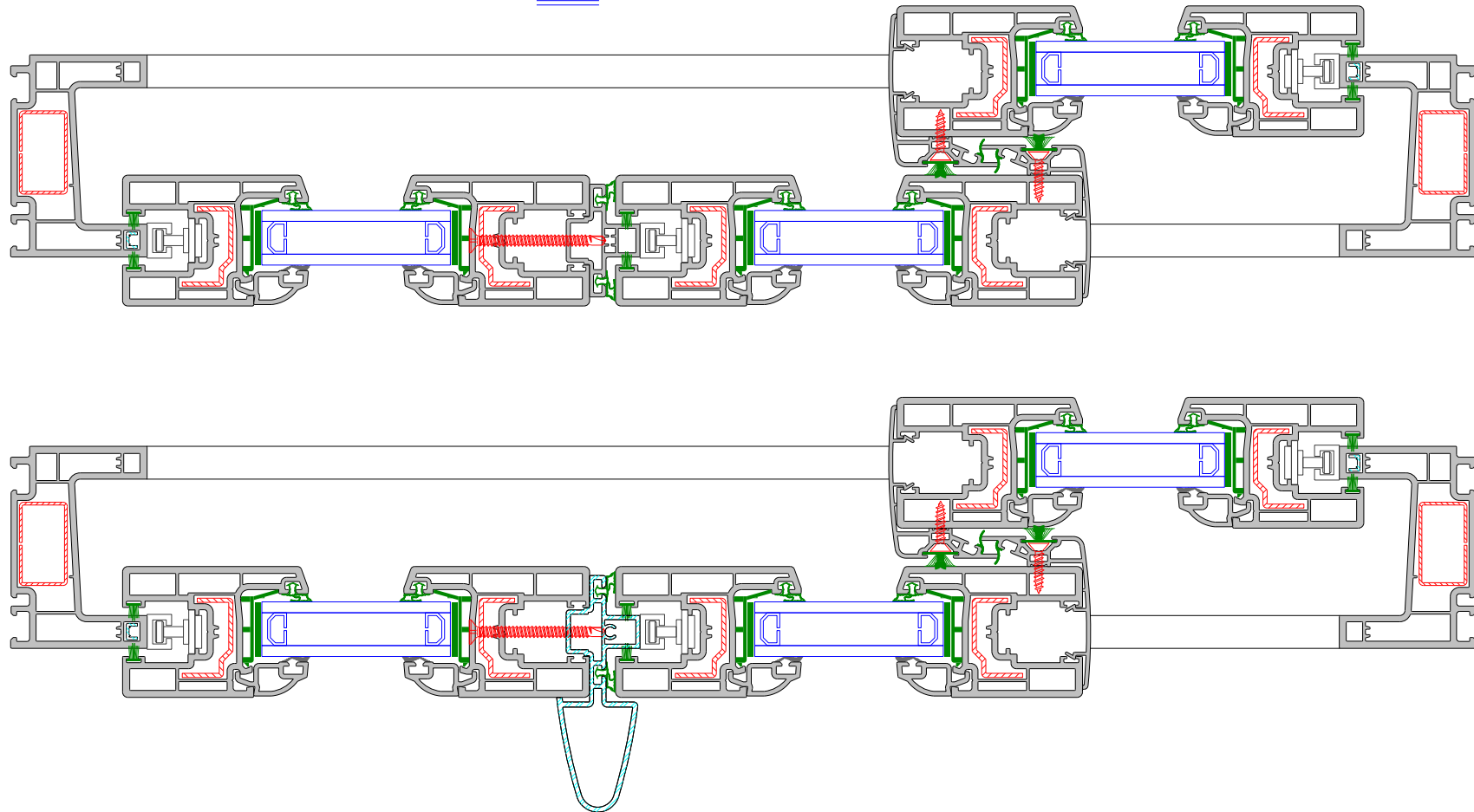
A-A

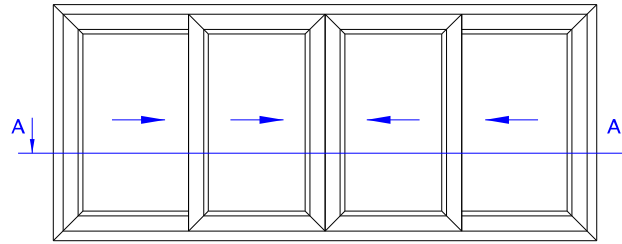


B-B

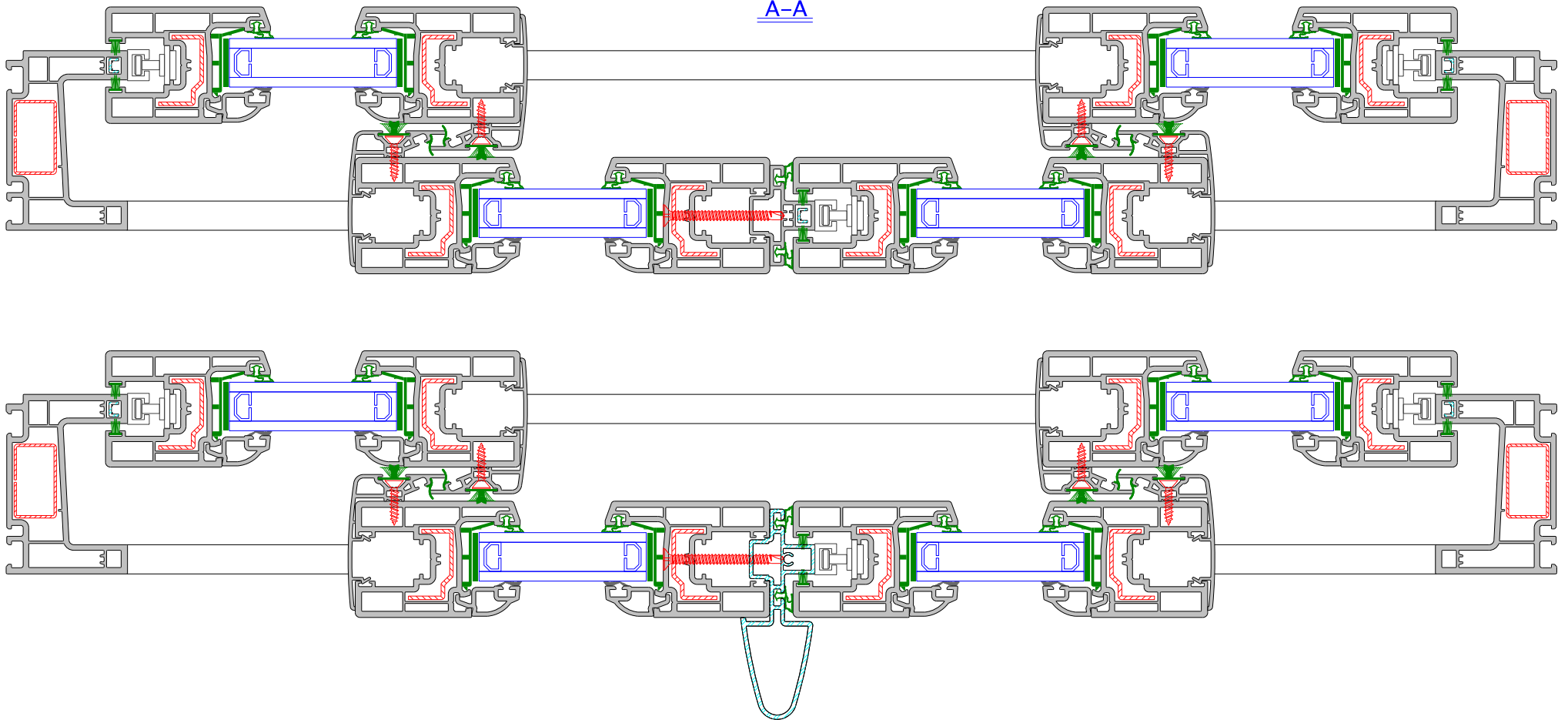


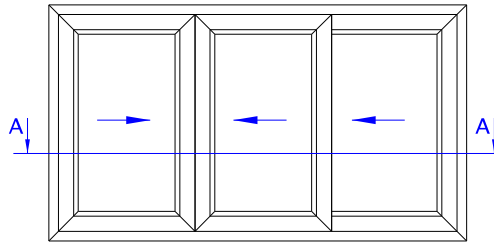
A-A



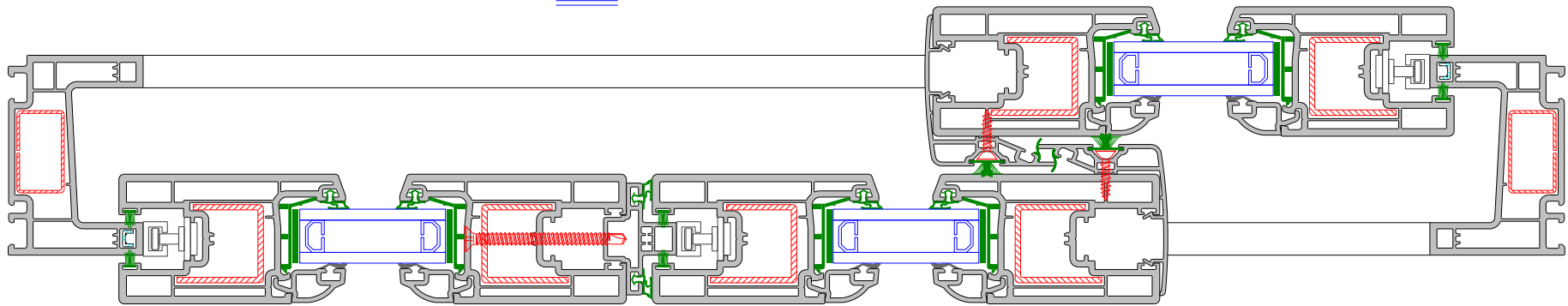


A-A

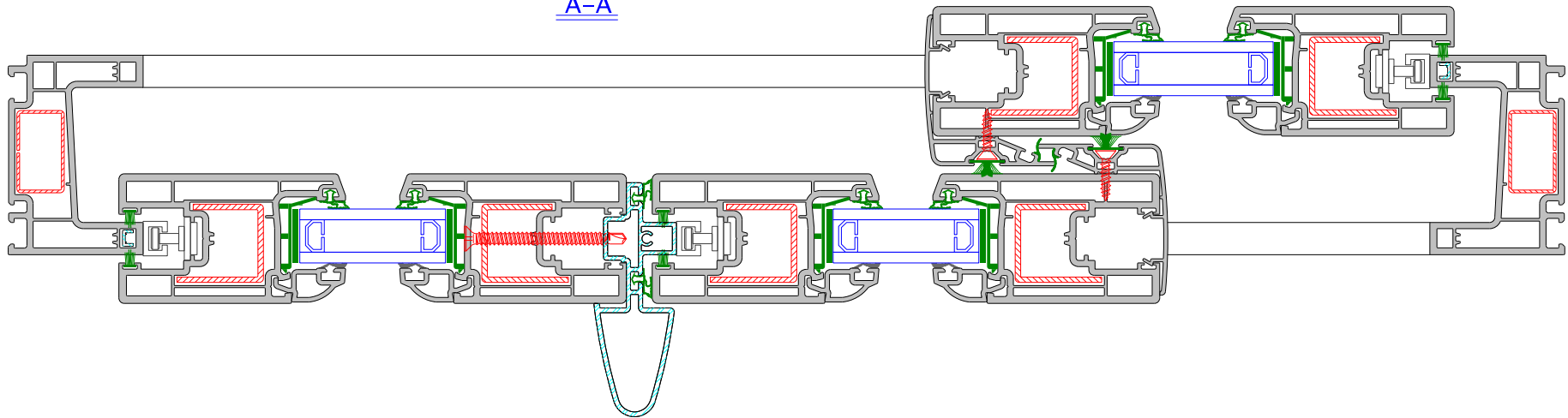


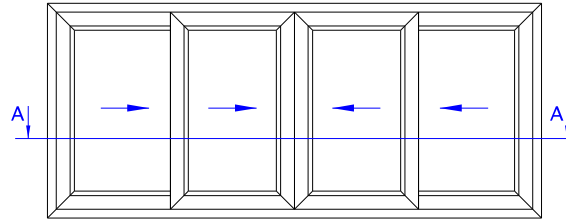


A-A

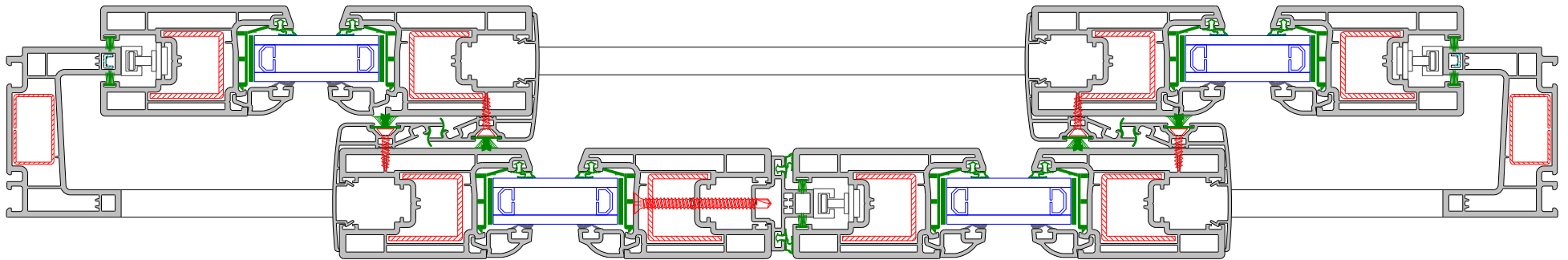


A-A

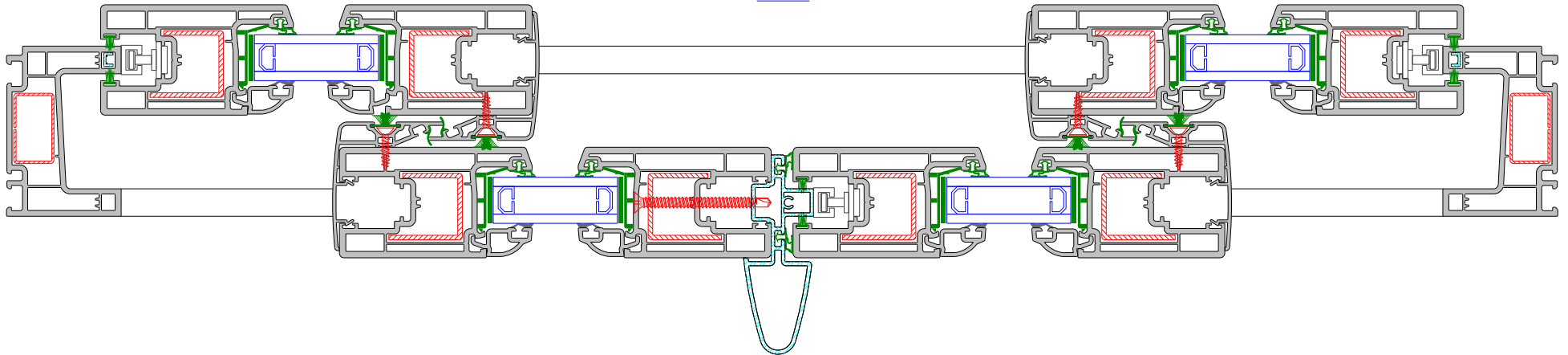


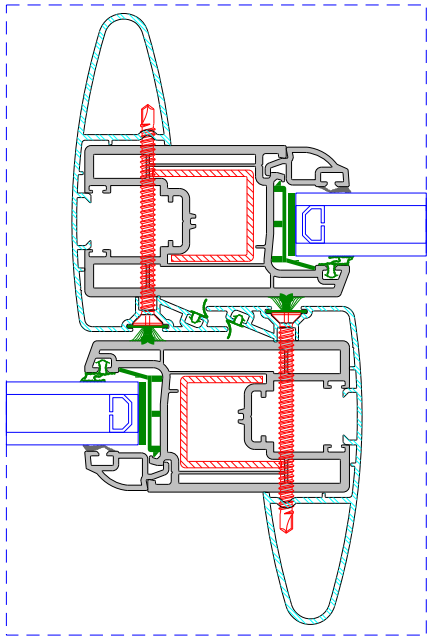
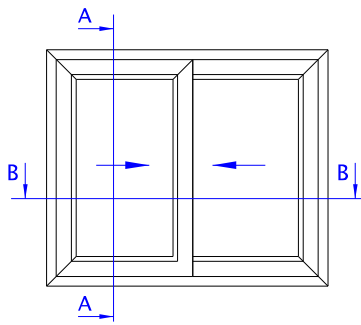


A-A

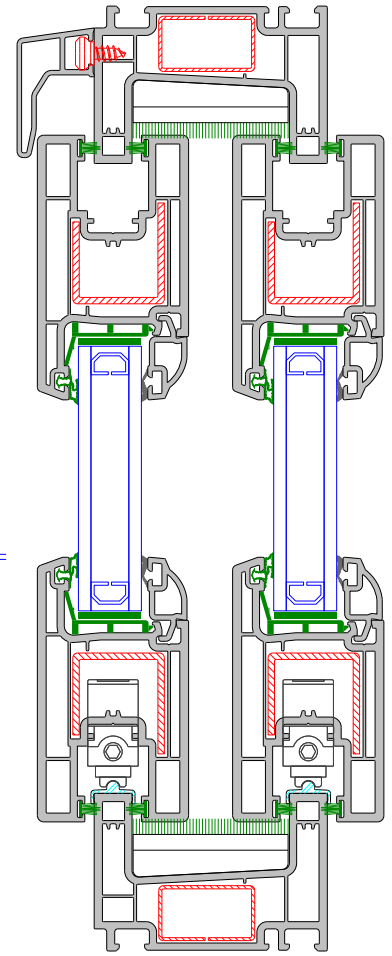


A-A



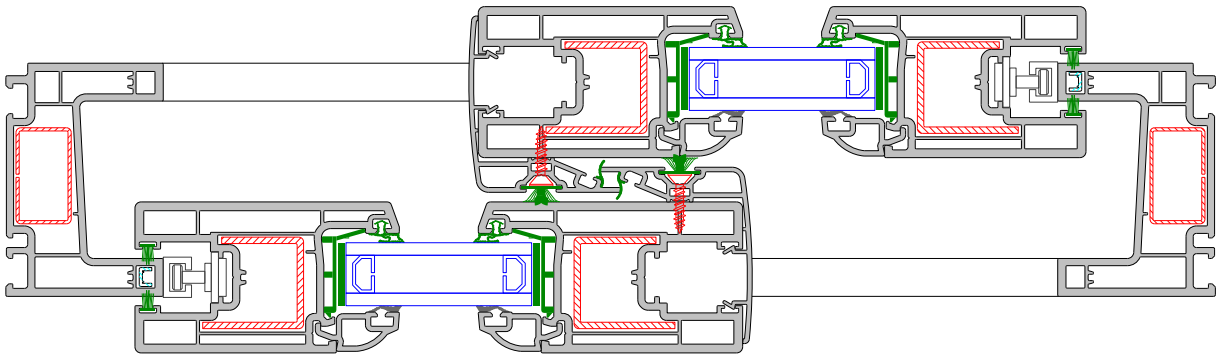


Alternatif-1

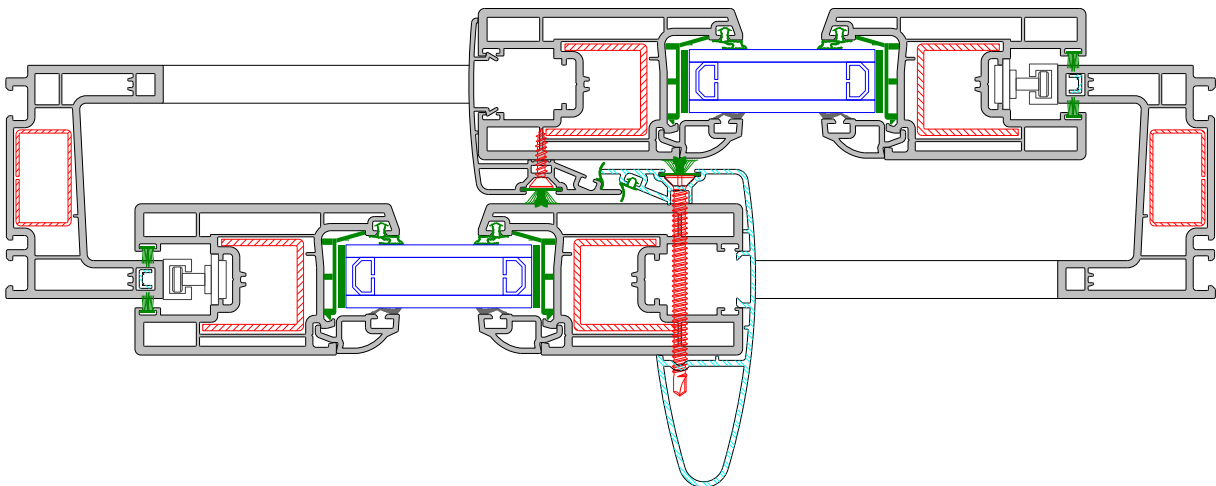


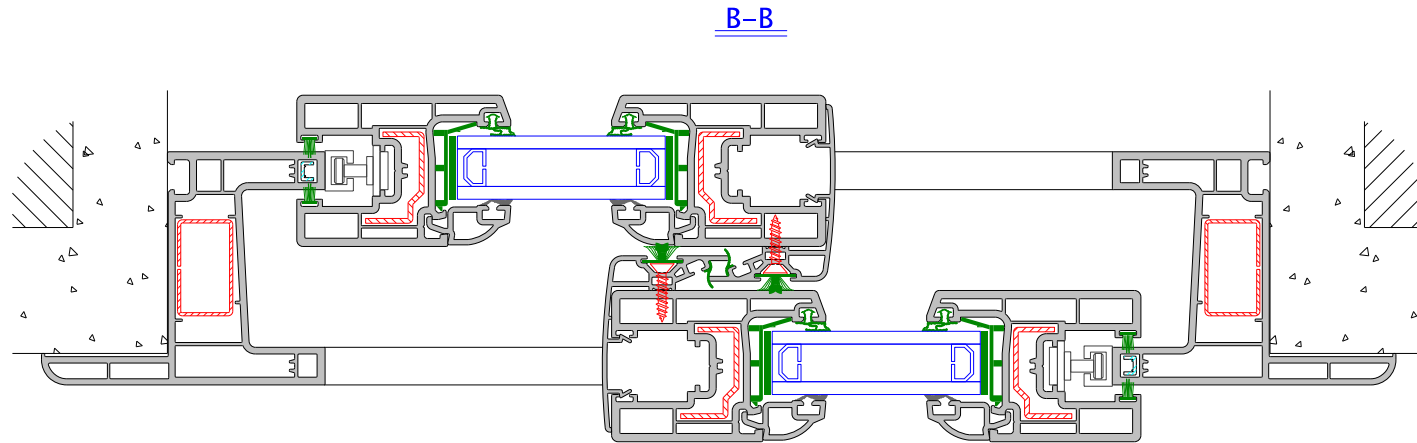
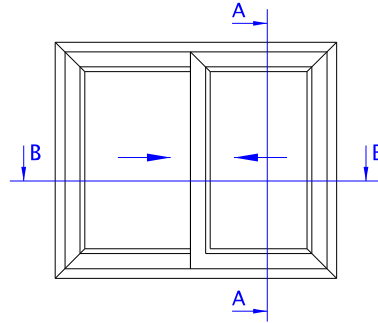
A-A

B-B

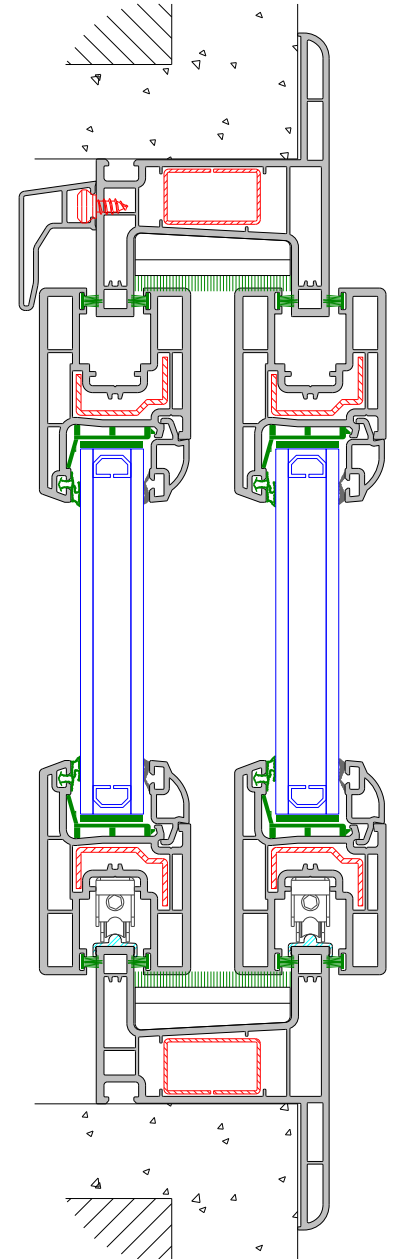


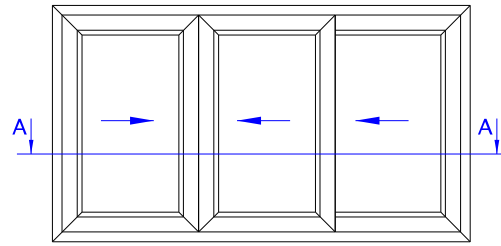
B-B



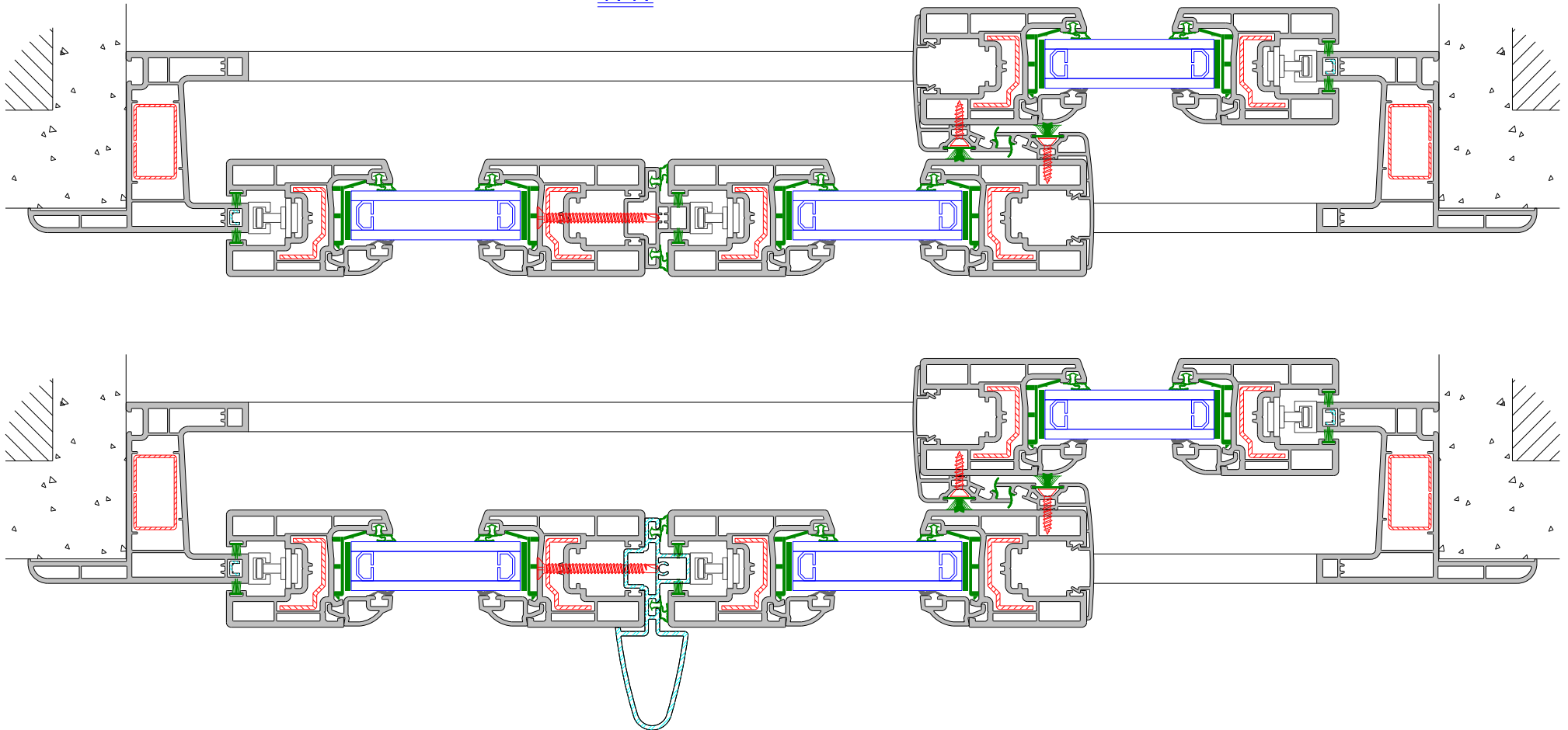


A-A

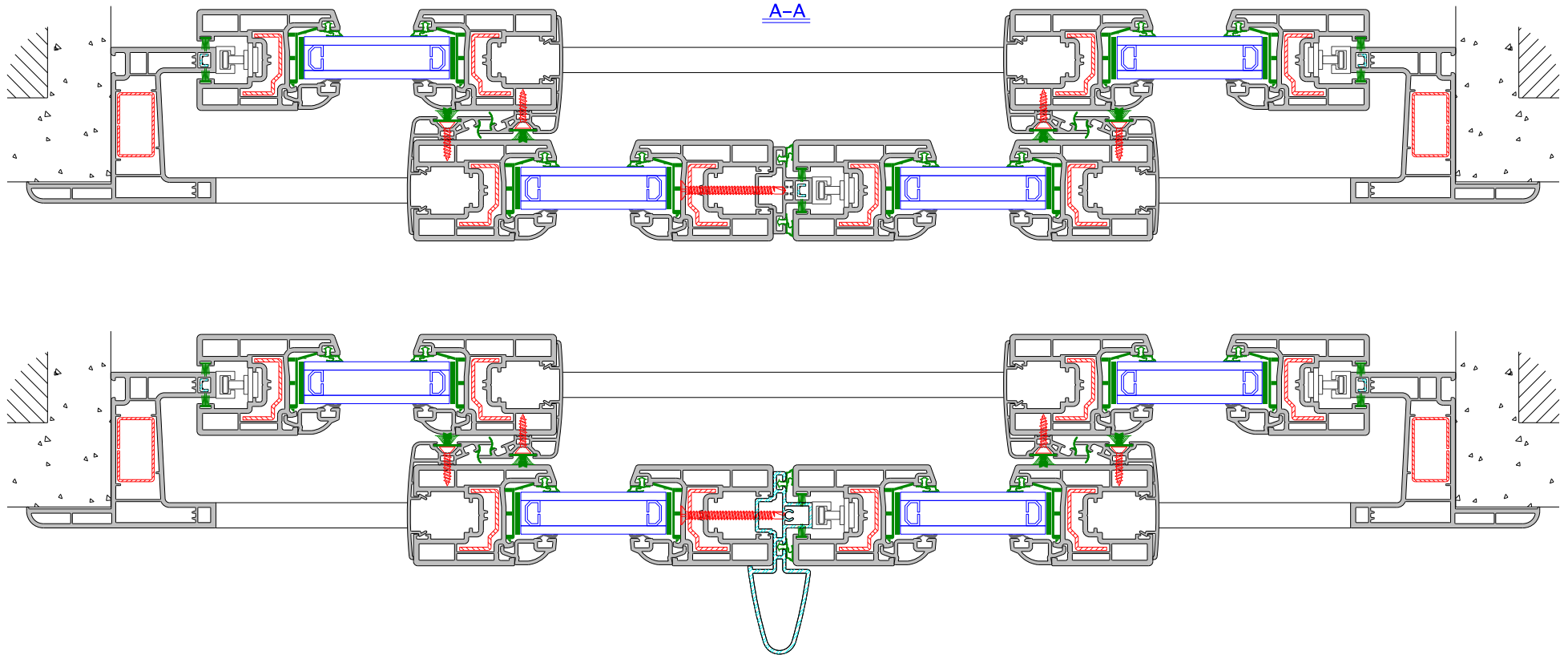
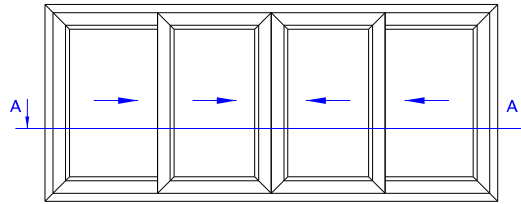


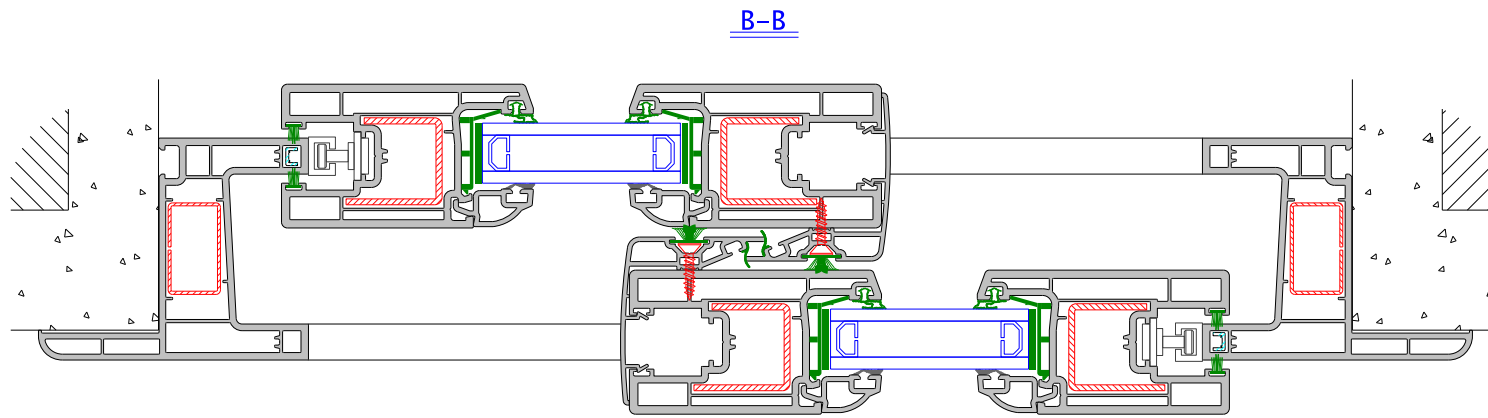
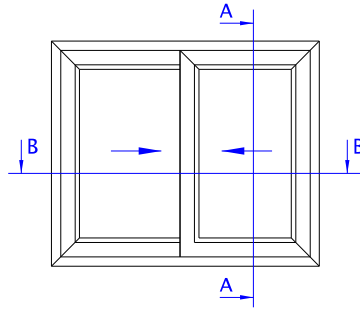


A-A

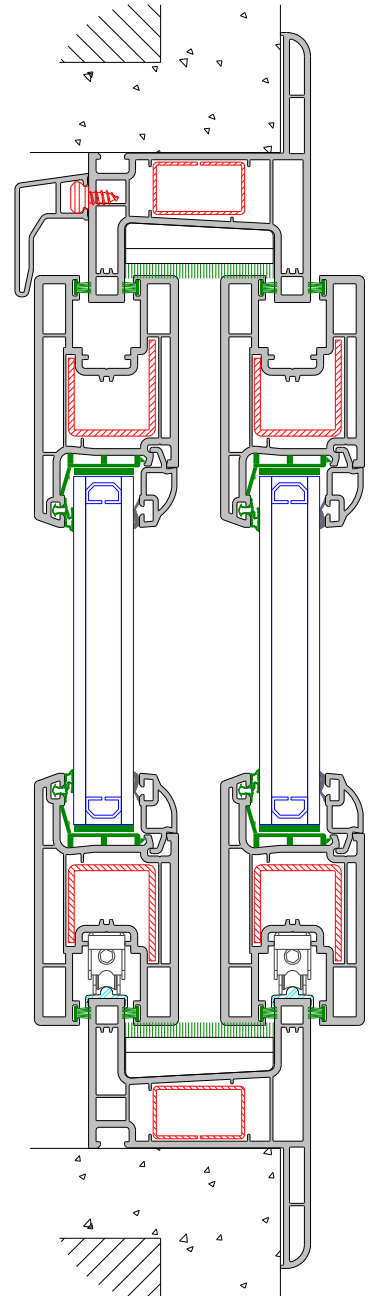


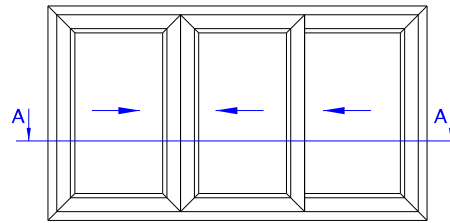




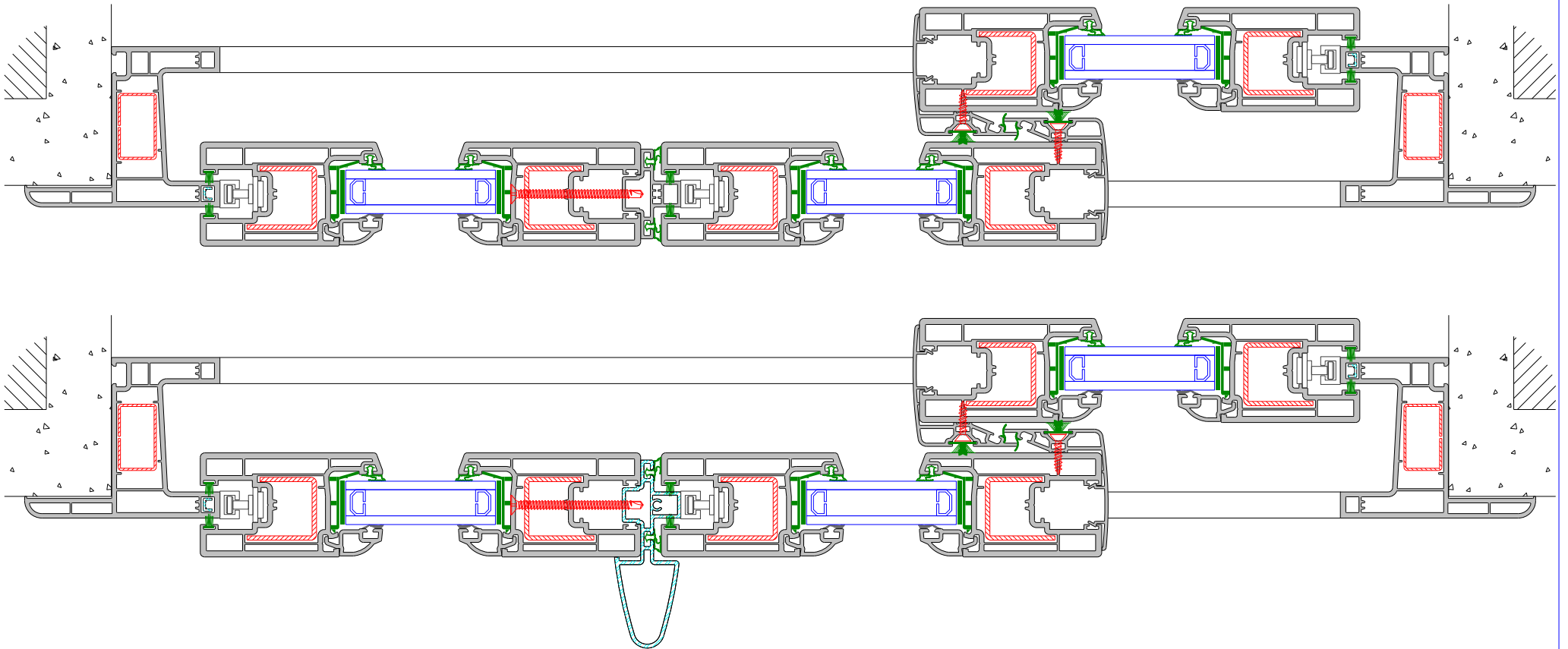


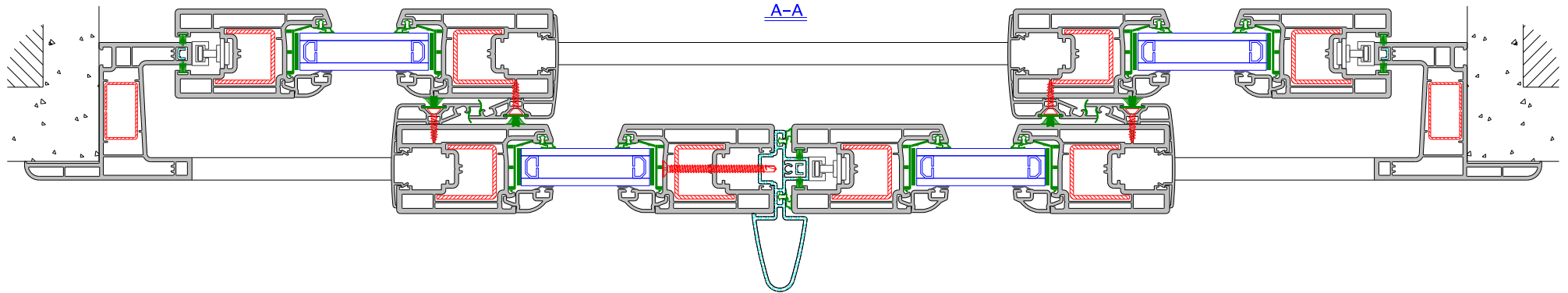
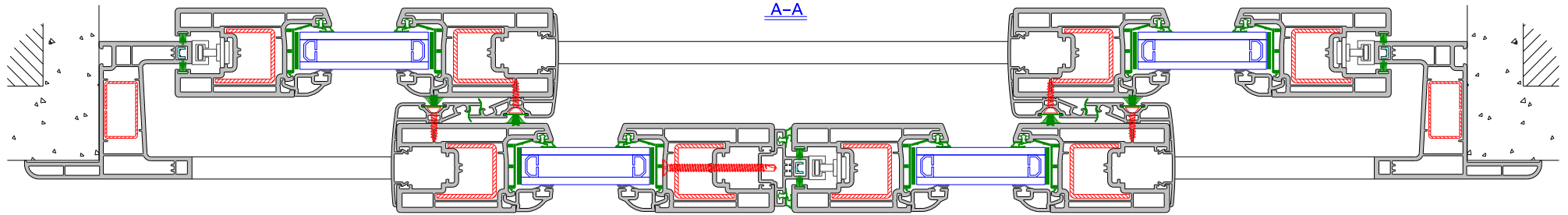
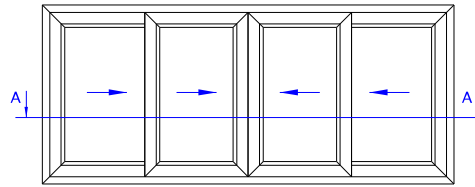
A-A

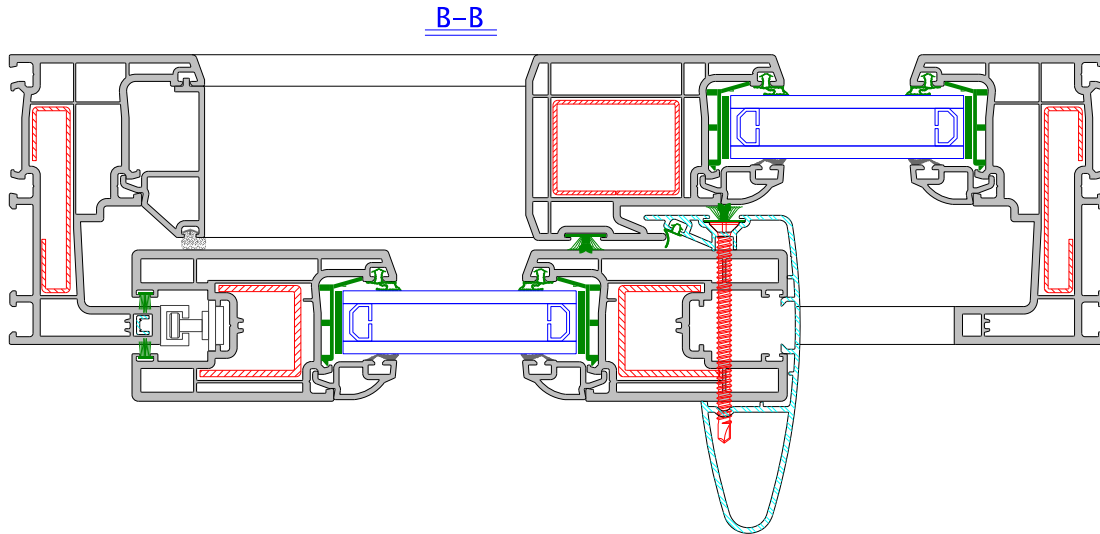
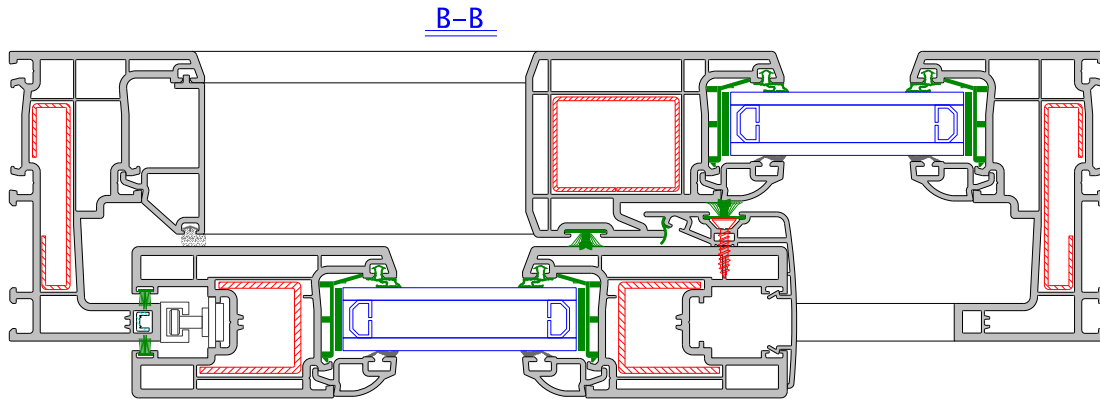
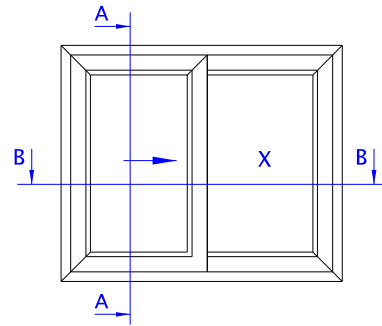




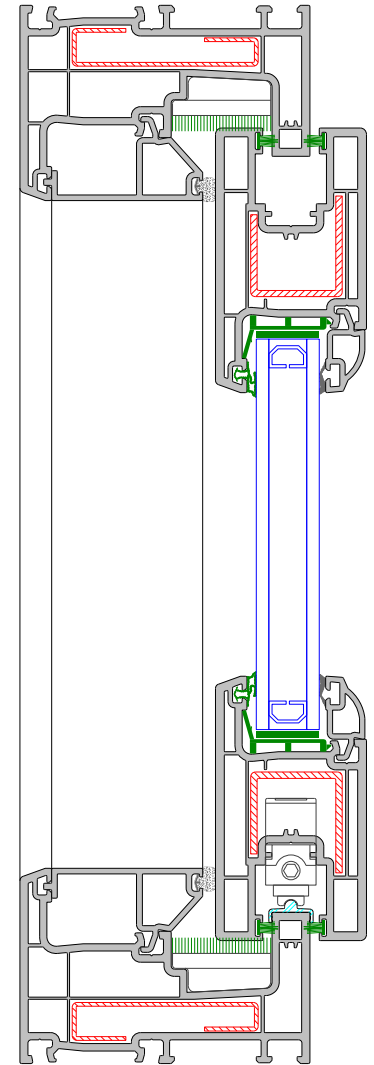
A-A

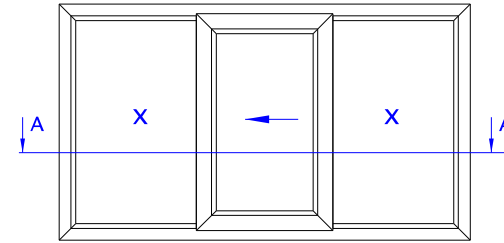




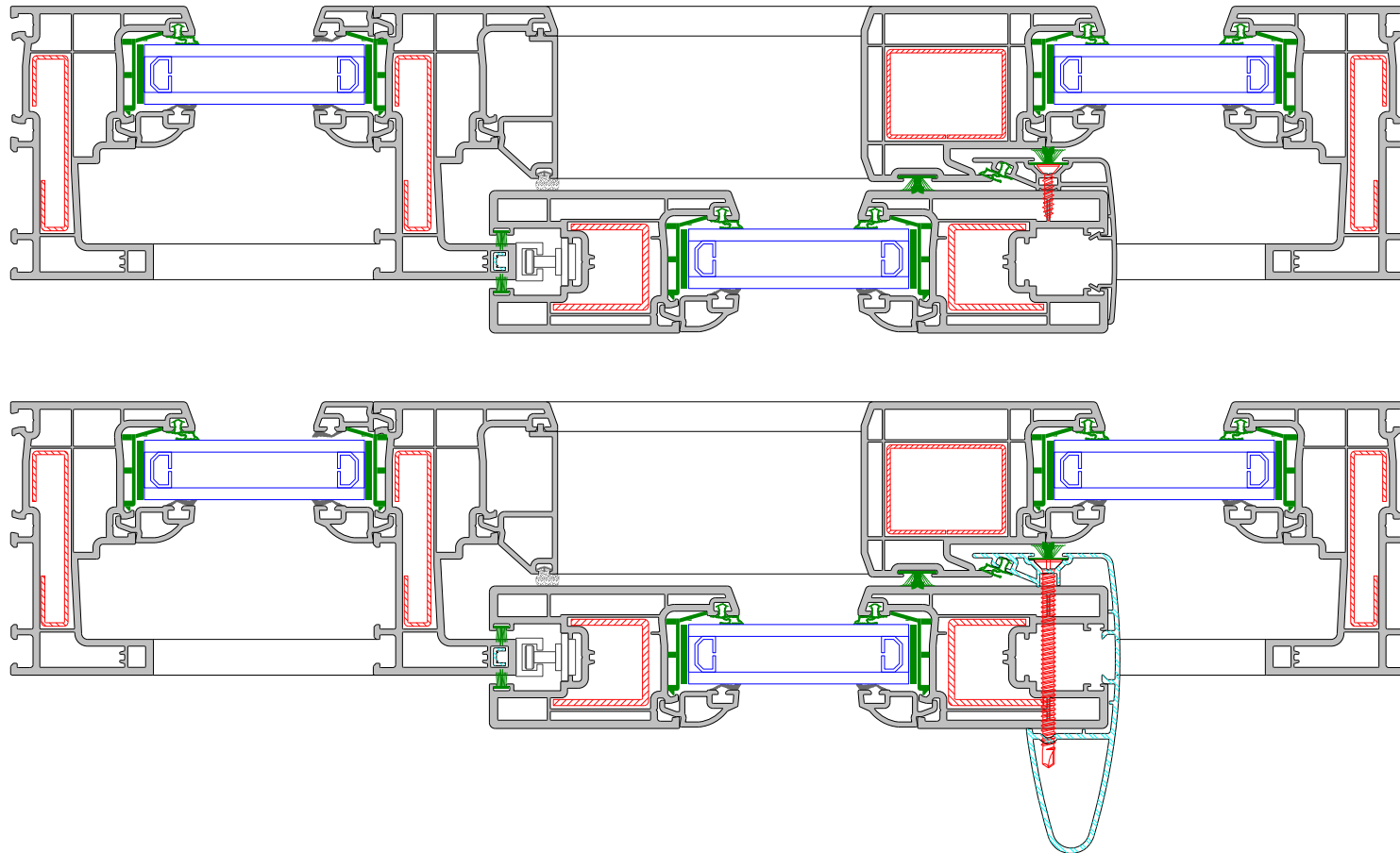


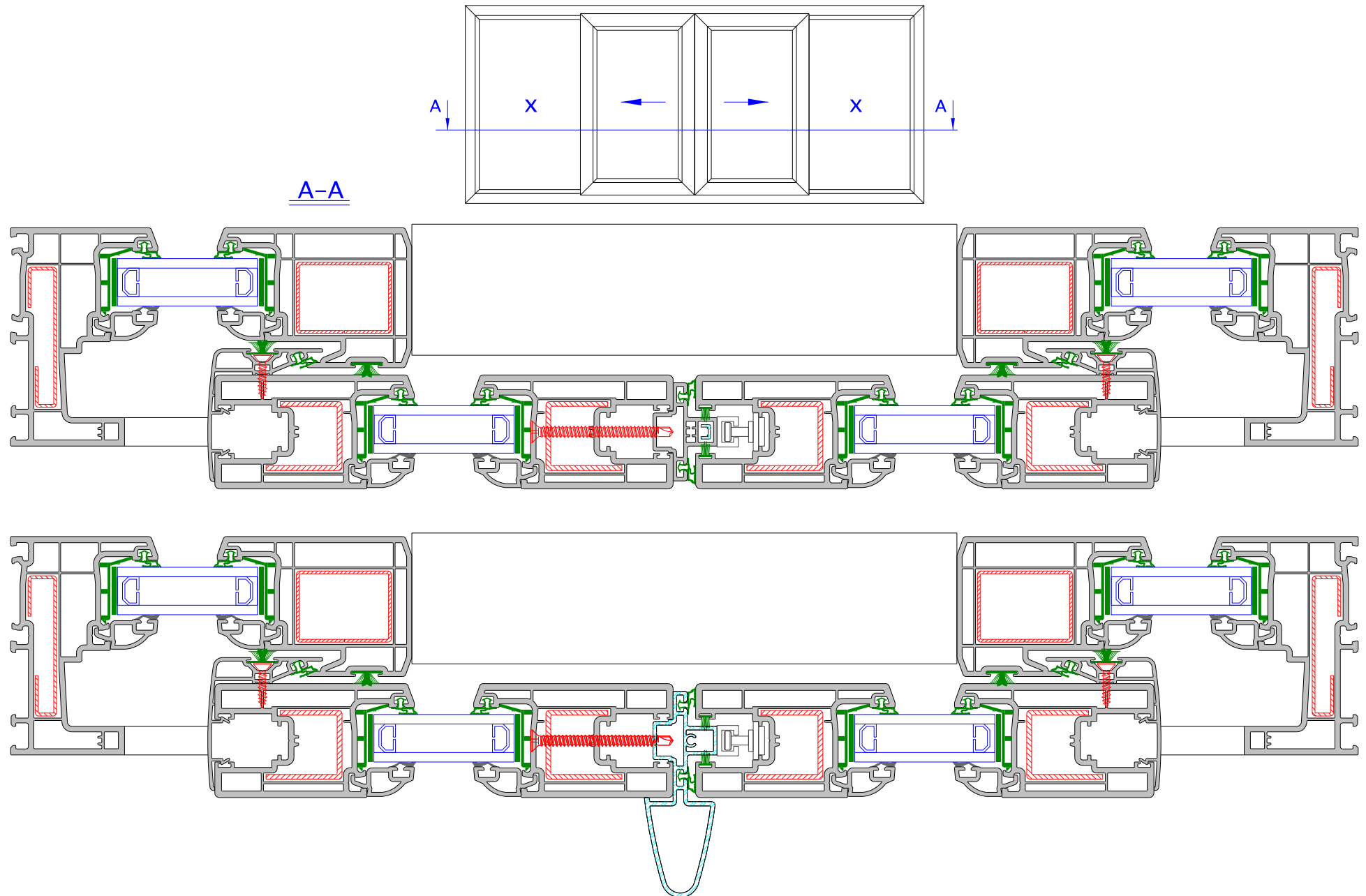
A-A

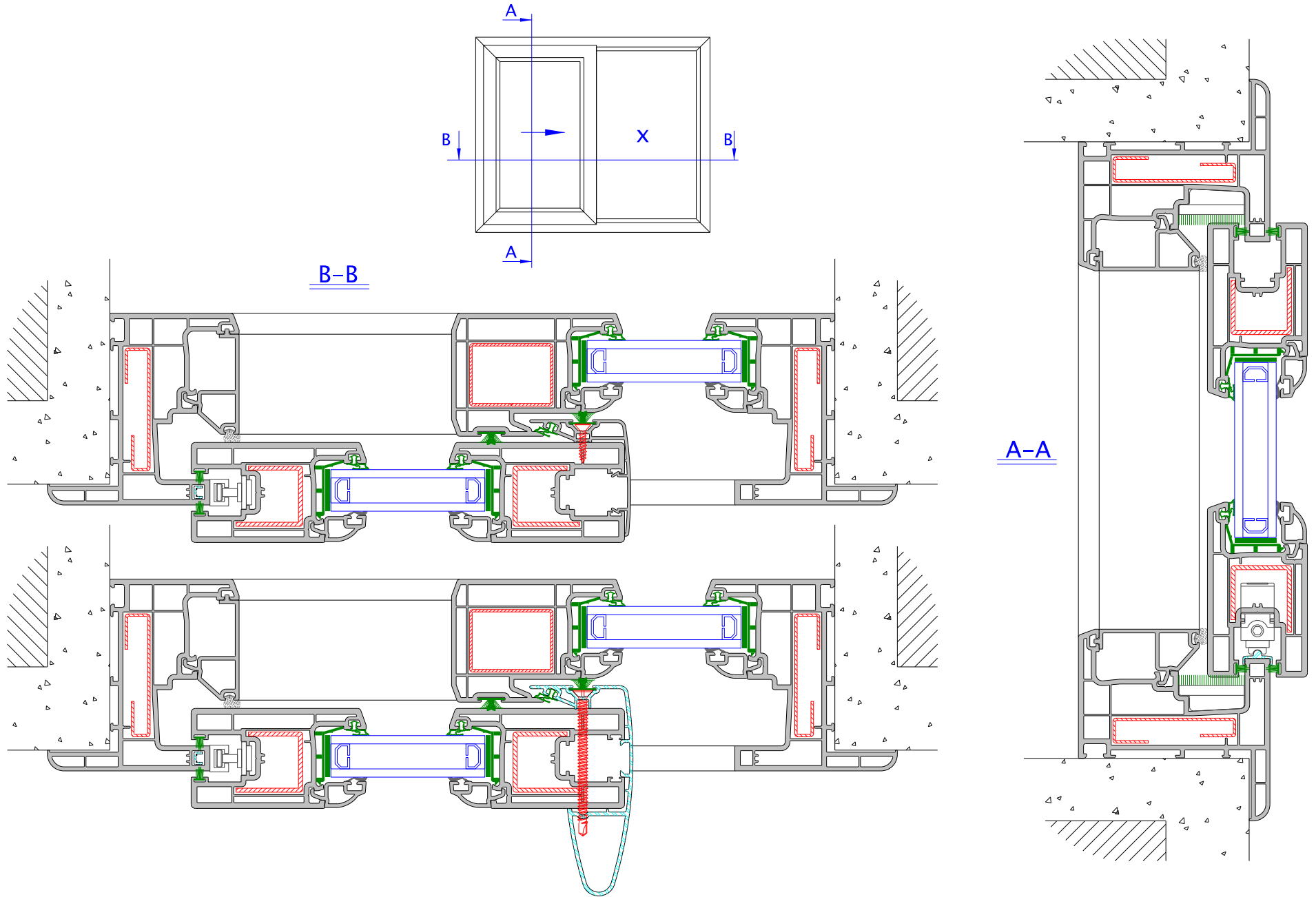




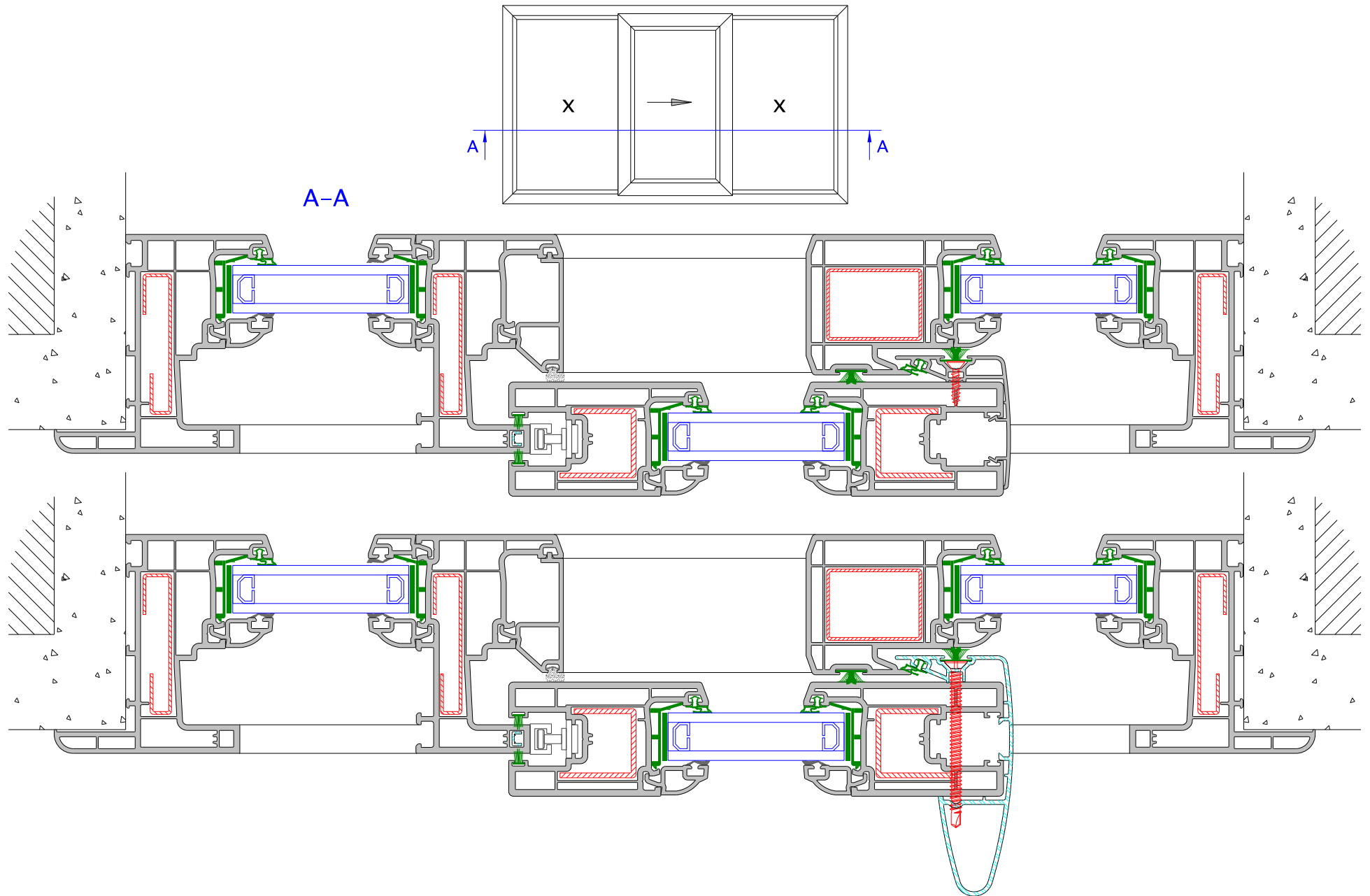
A-A

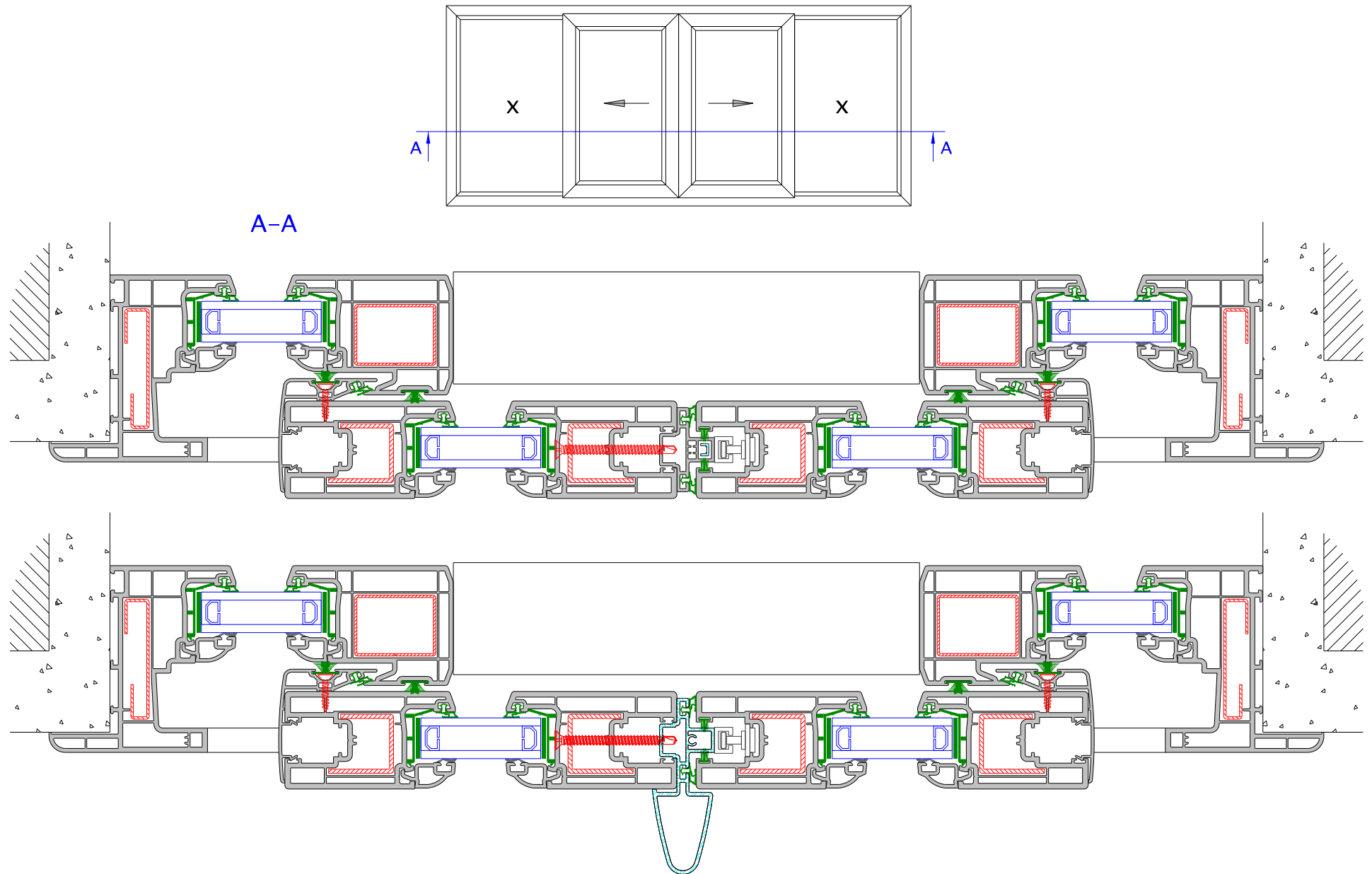


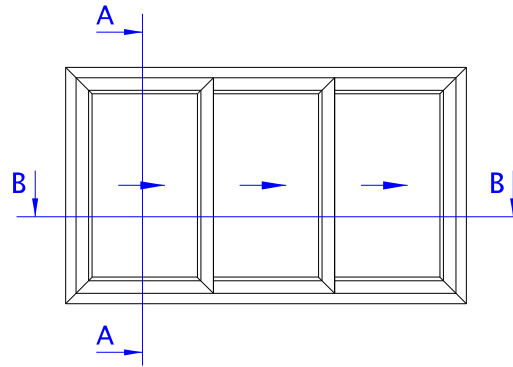




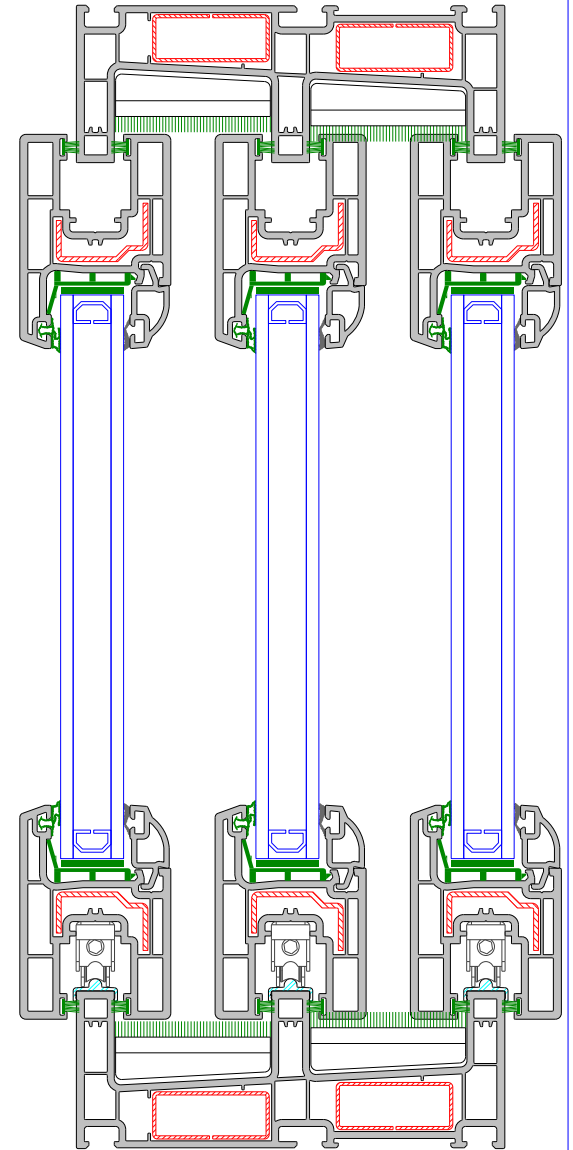




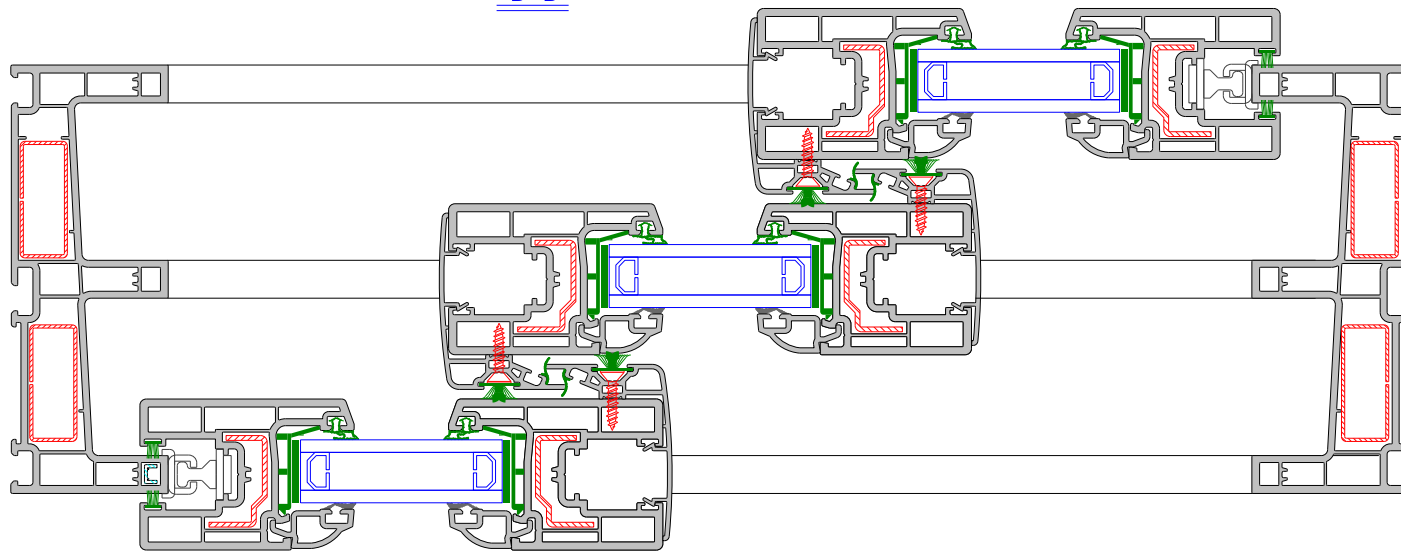


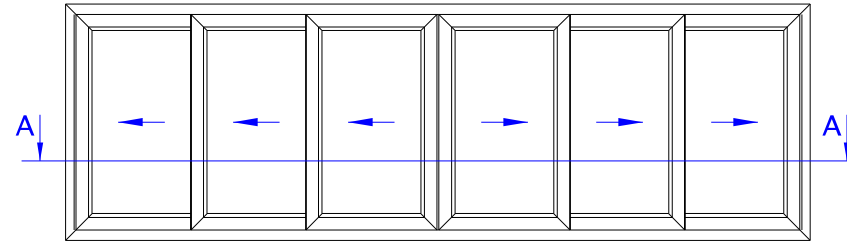


A-A

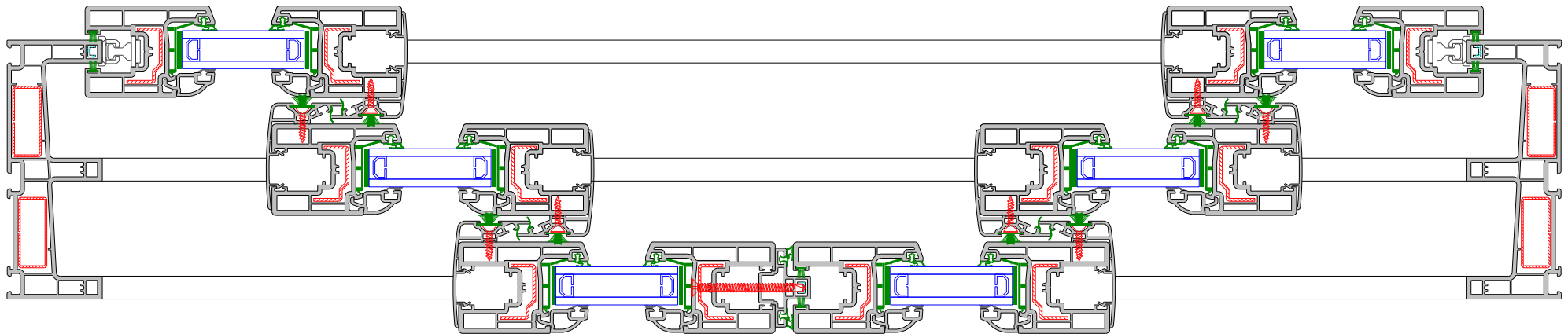


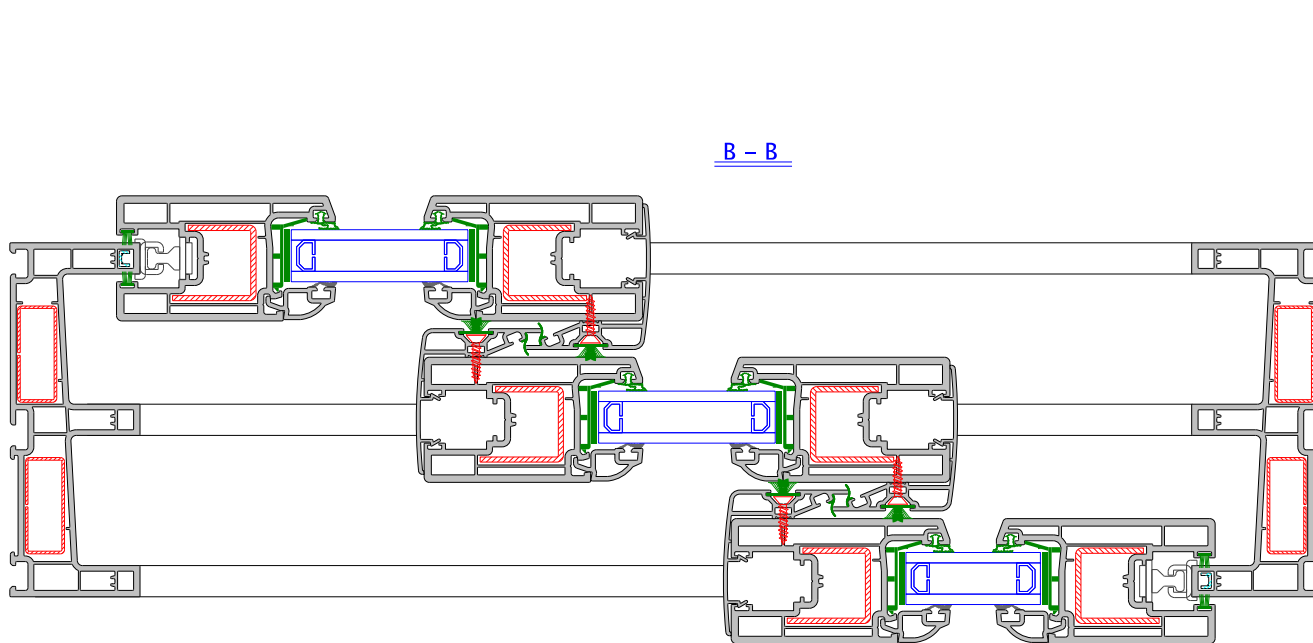
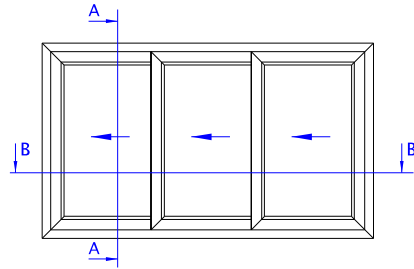
B-B



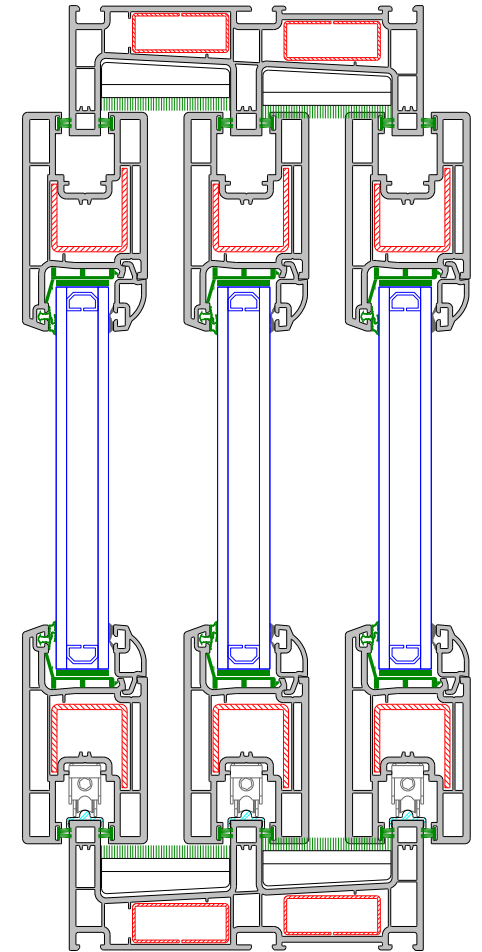


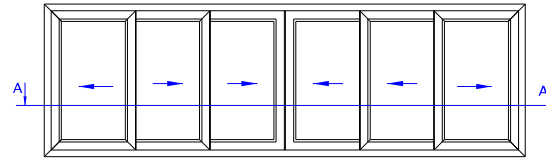
A-A



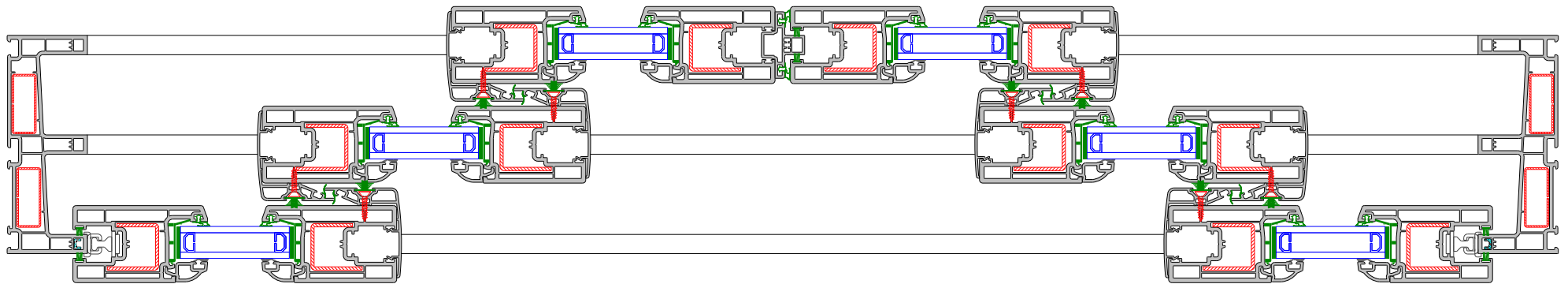


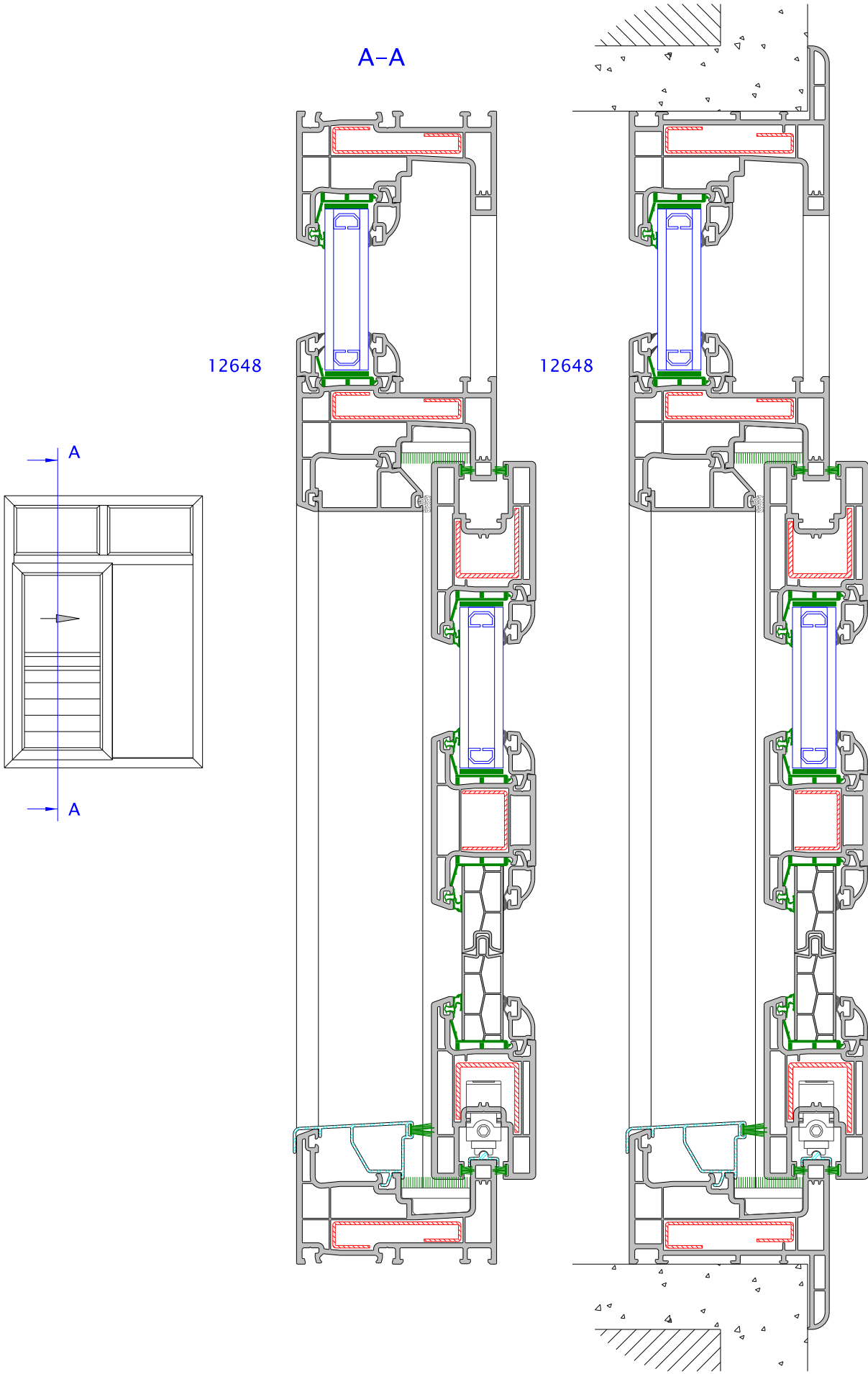
A - A

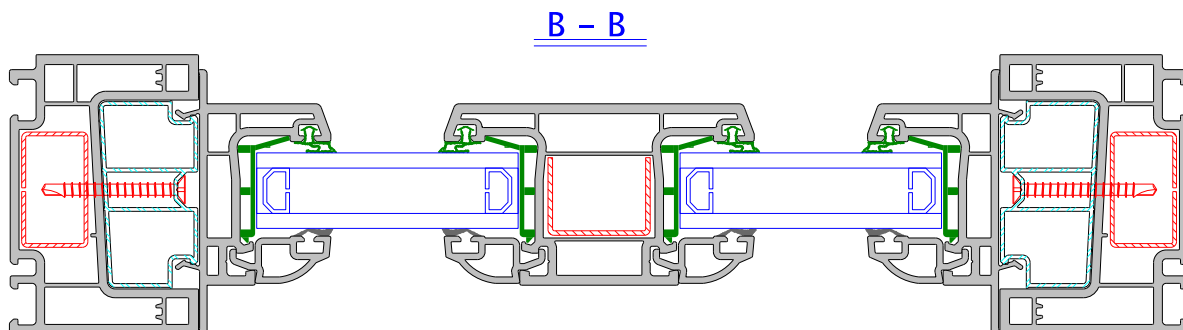
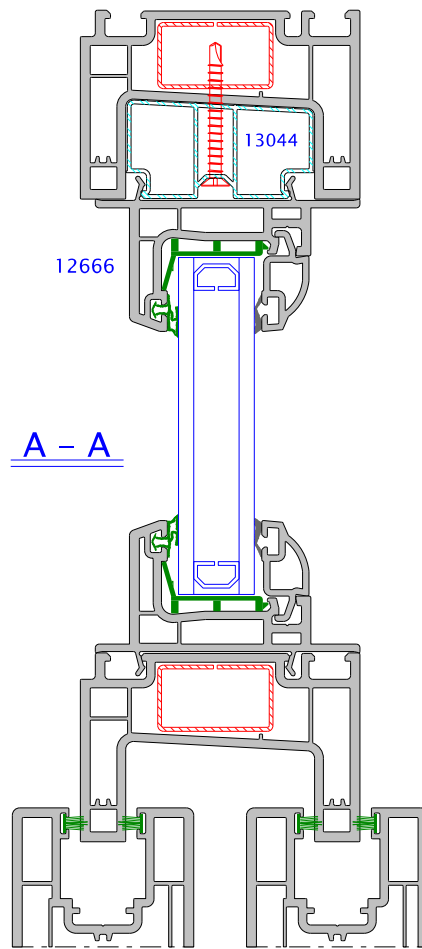
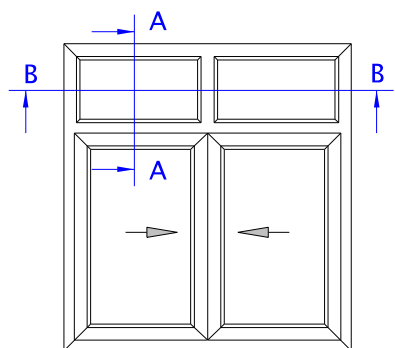




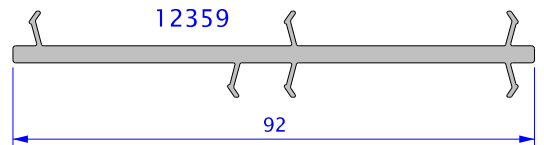
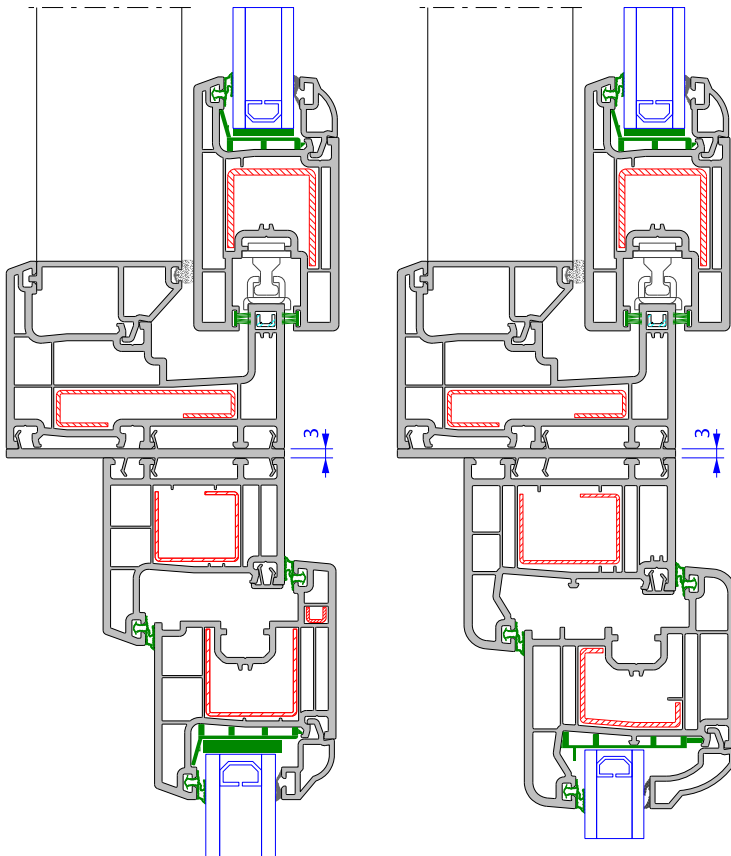
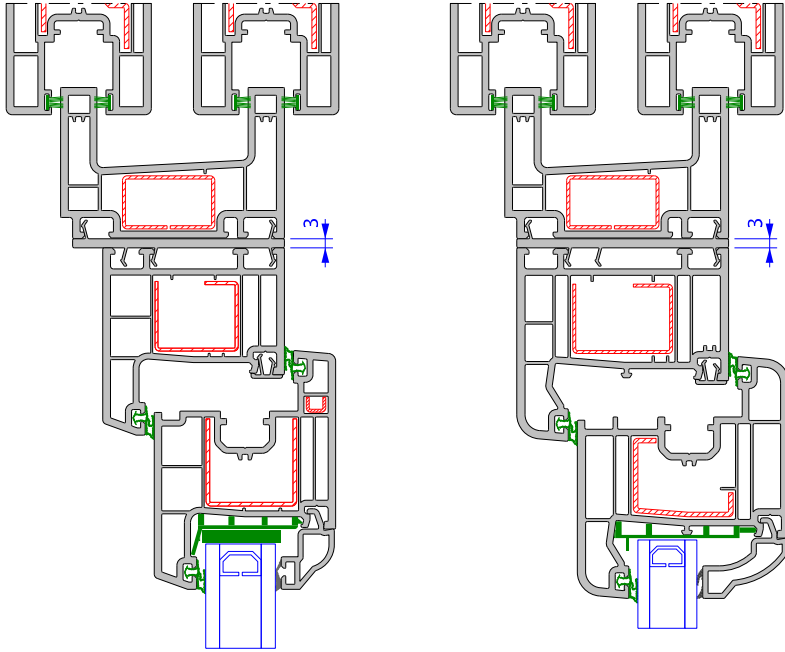
A-A



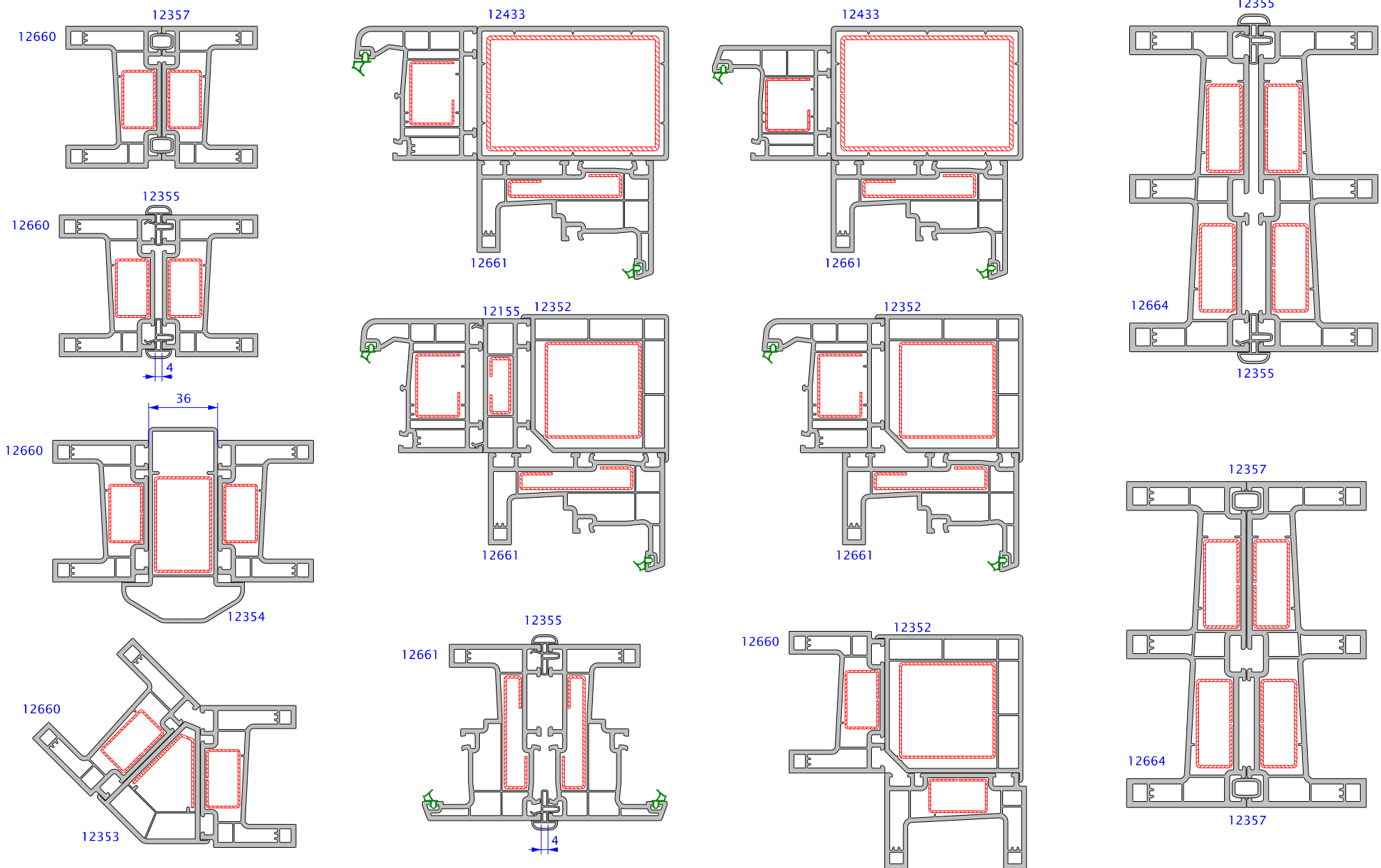




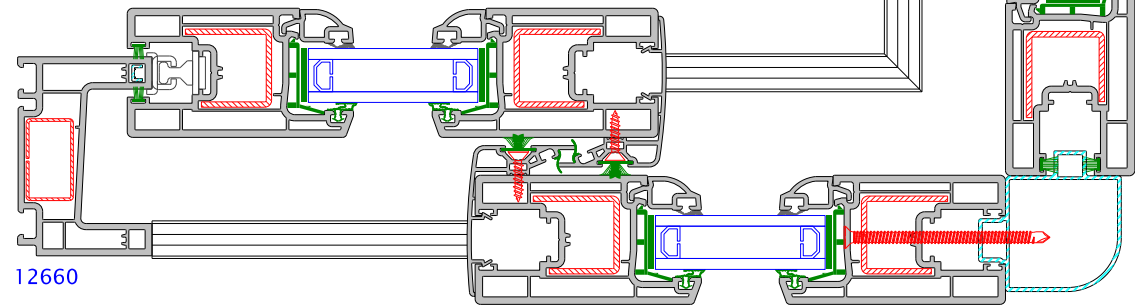
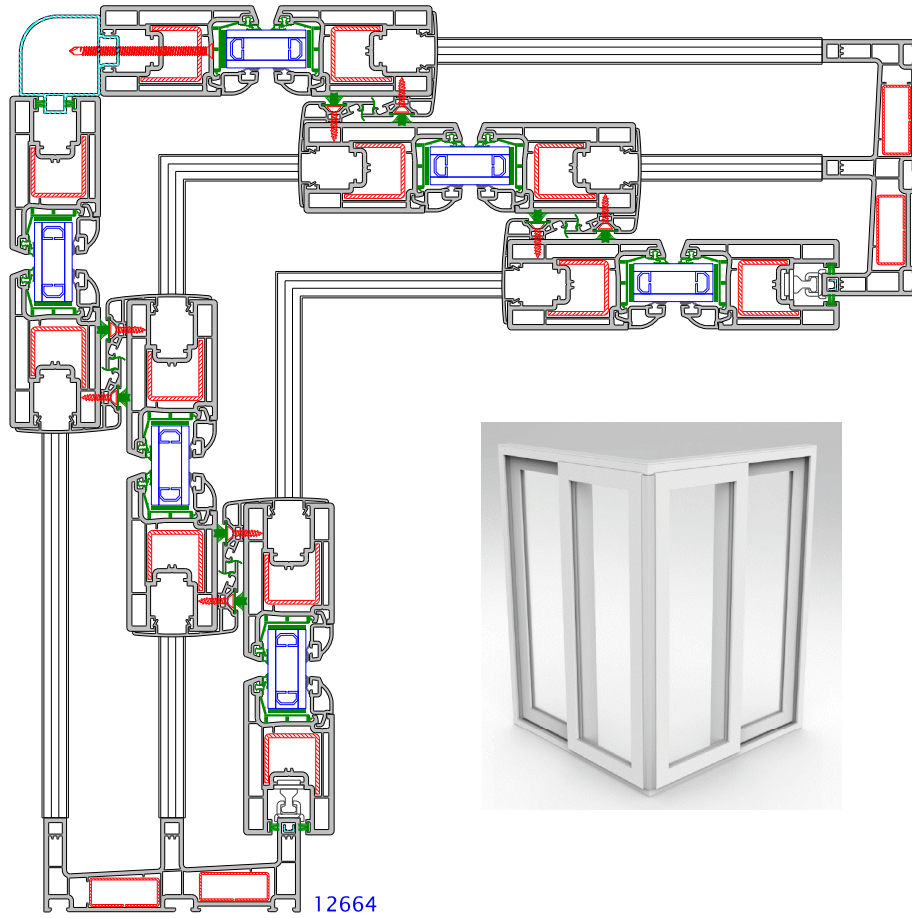


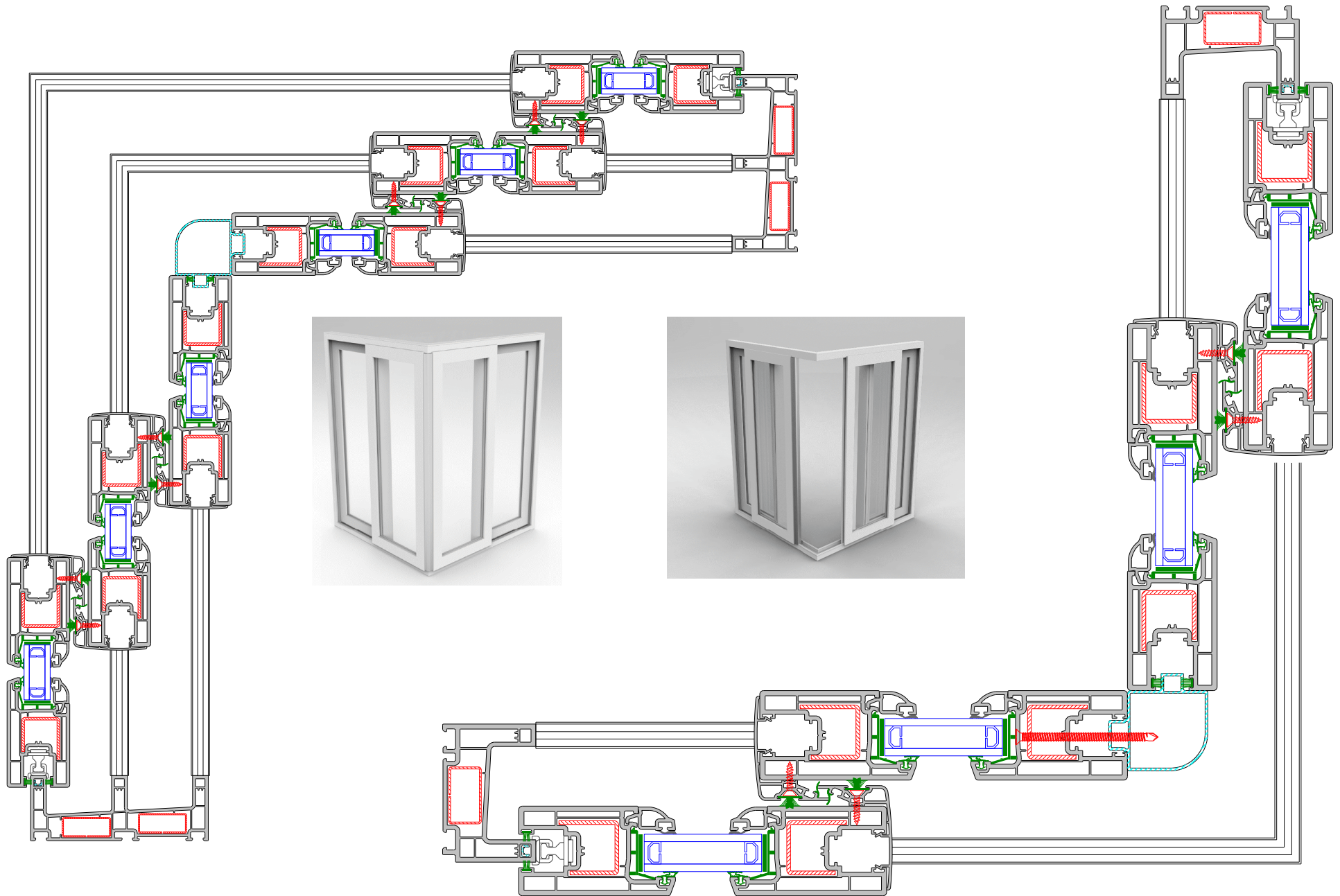


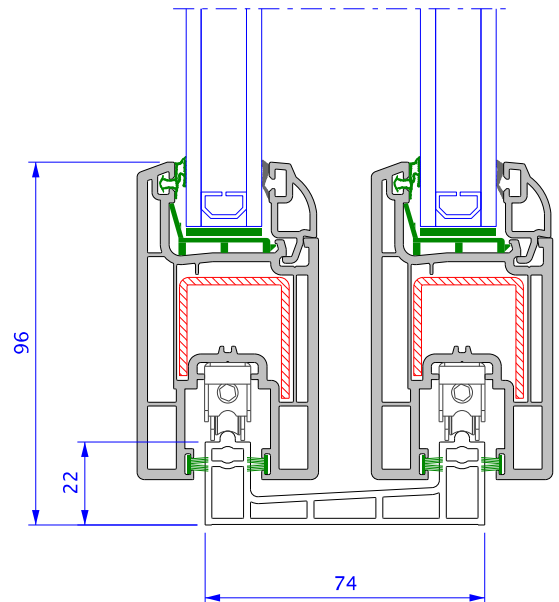
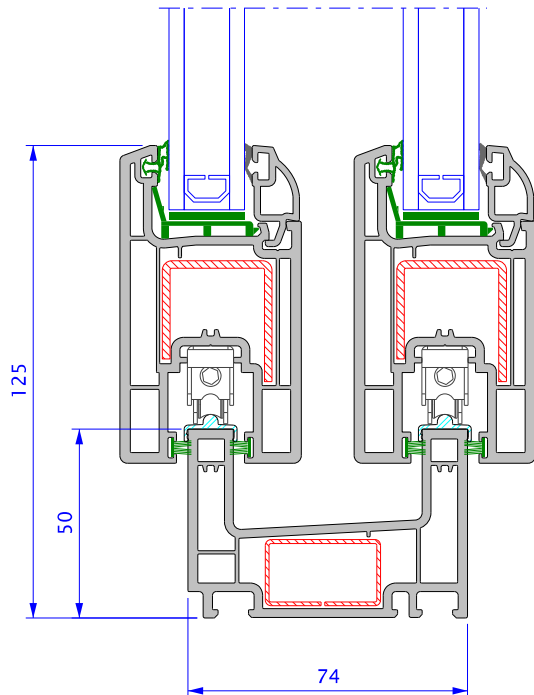
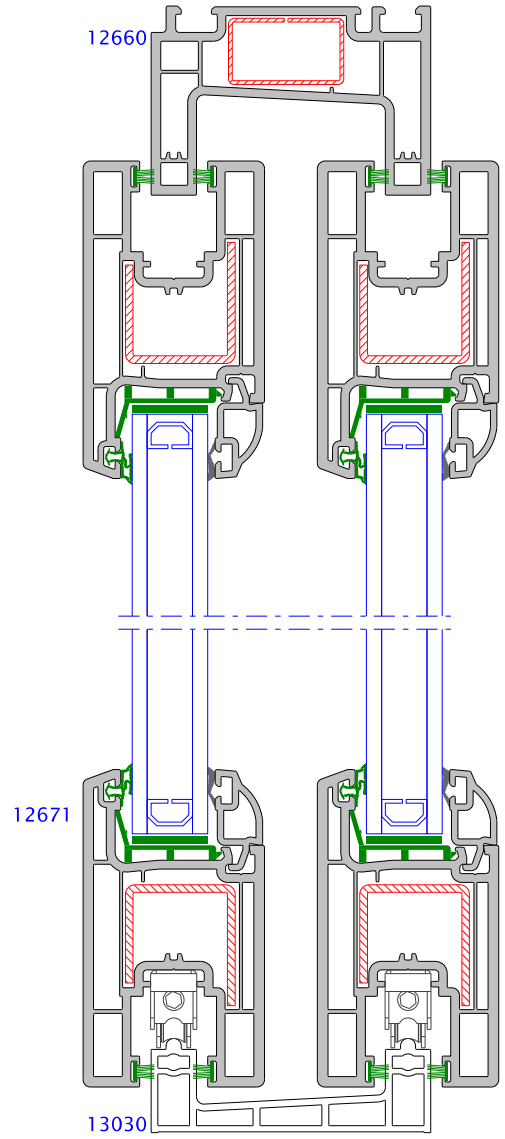
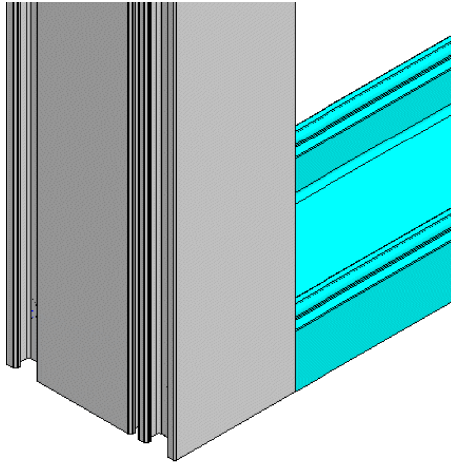
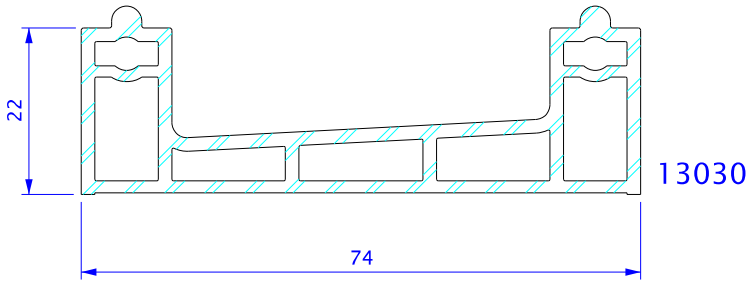
\*In the connection of both frames, the thickness of coupling profile should be subtracted



\* For the connections that are given in the drawing, the coupling thickness should be subtracted



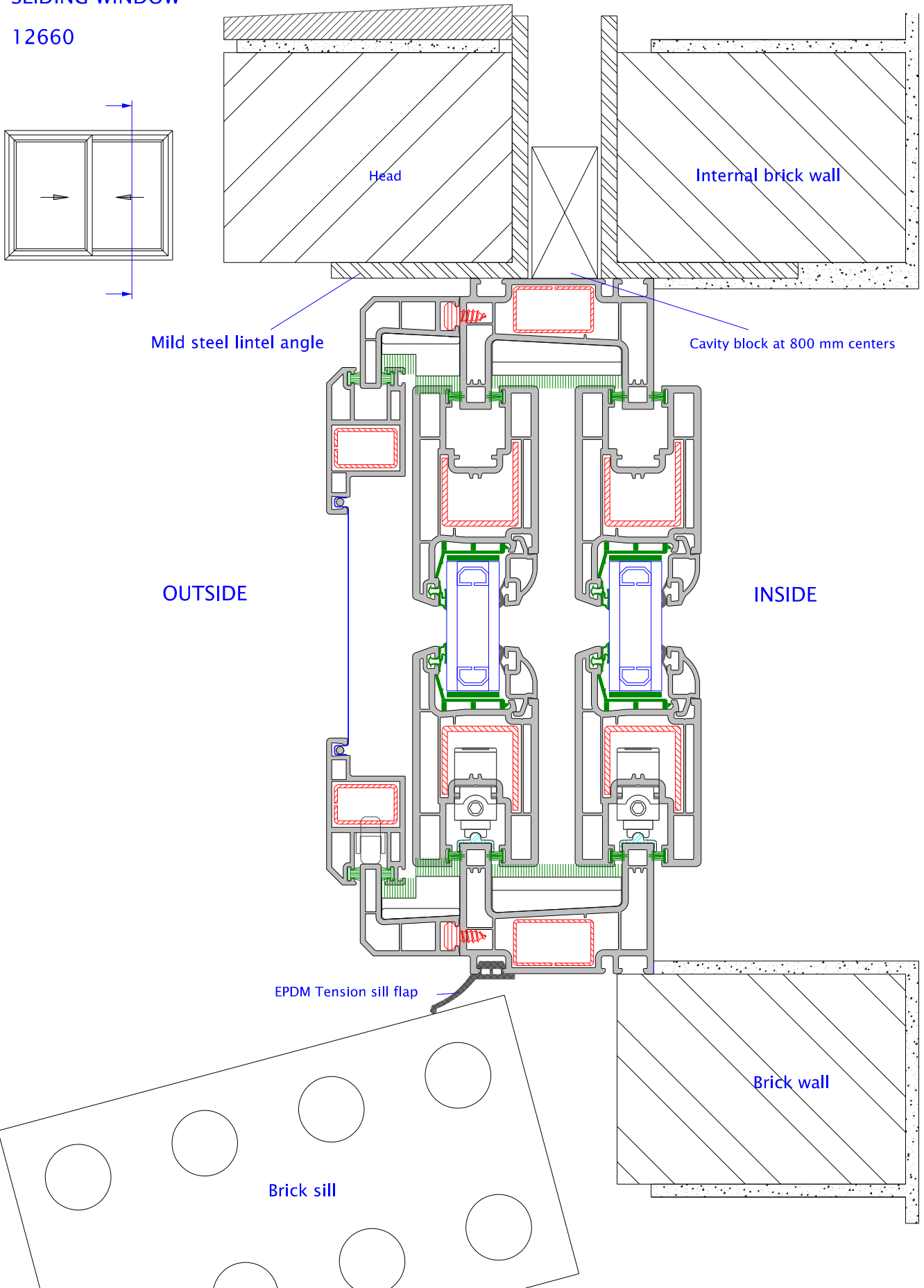




Cavity Brick Sections

SLIDING WINDOW

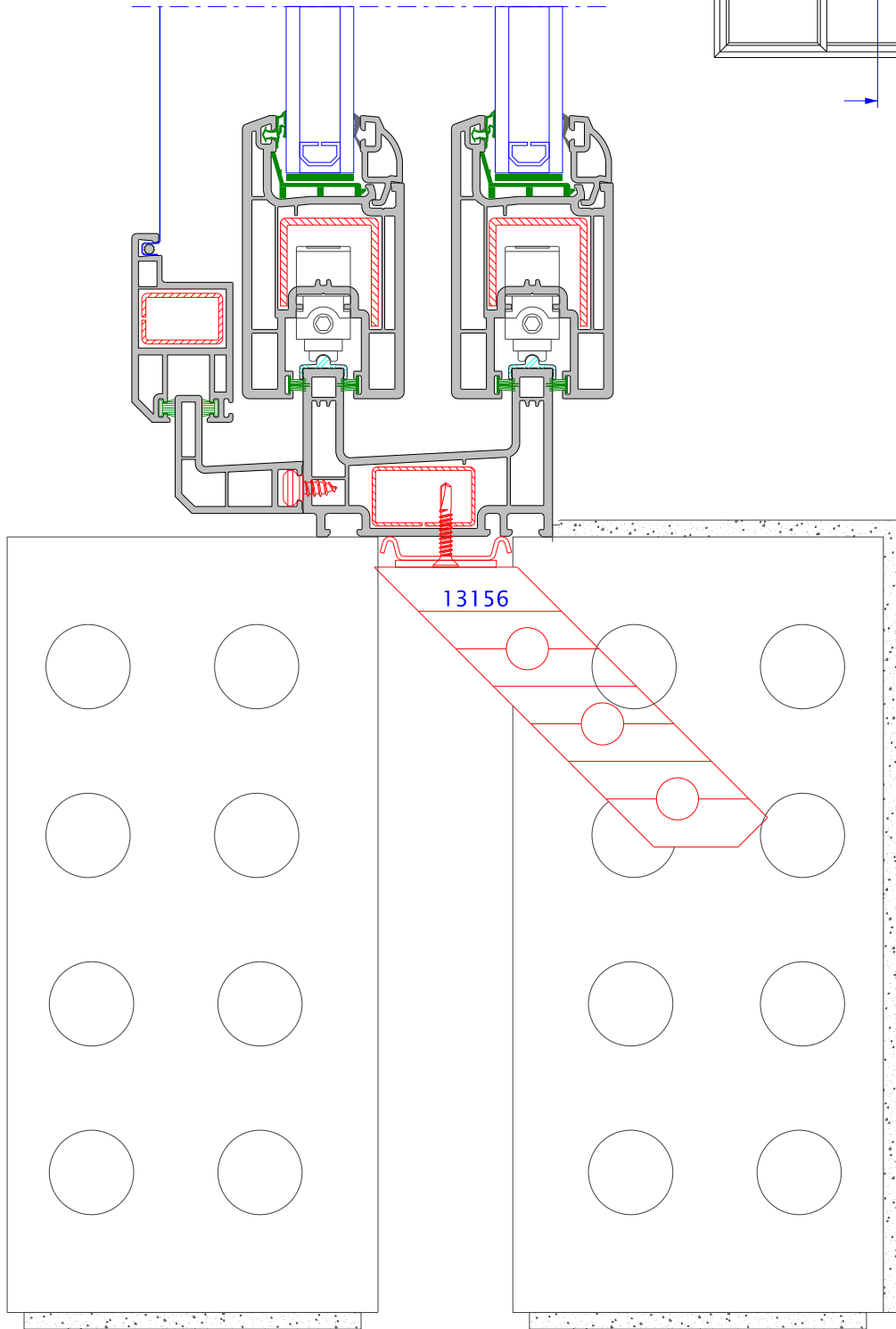
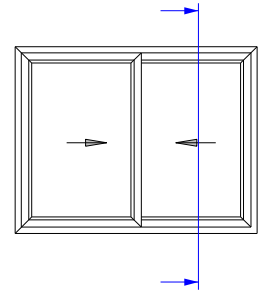
12660



Cavity Brick Sections

SLIDING WINDOW

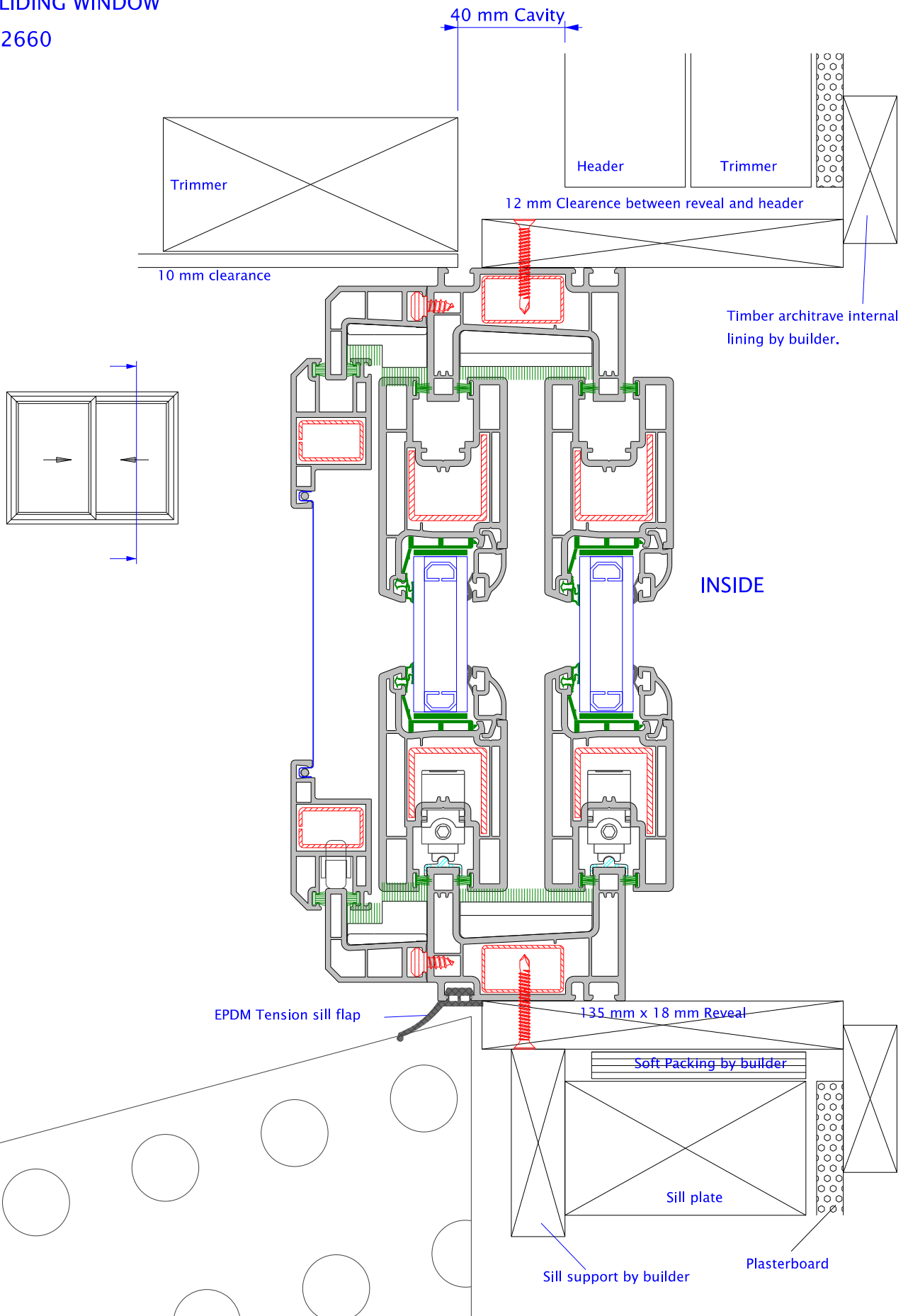
12660



Brick Veneer Sections

SLIDING WINDOW

12660

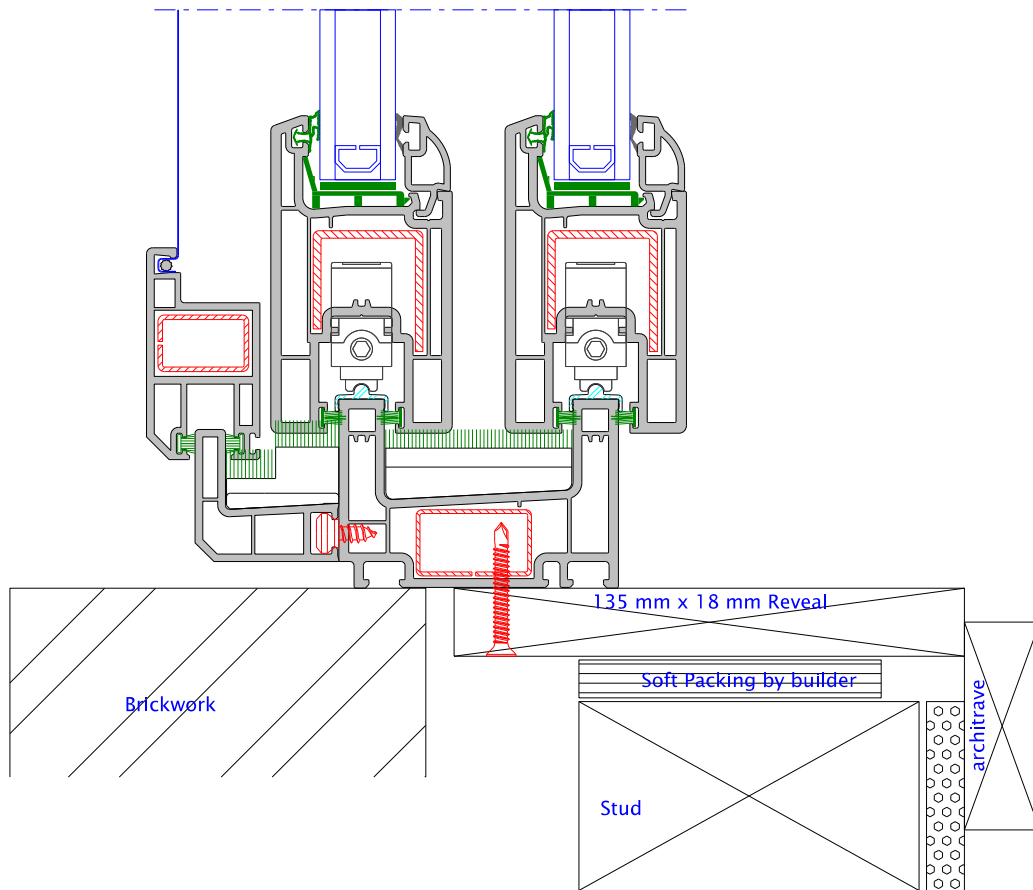
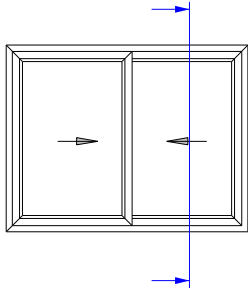




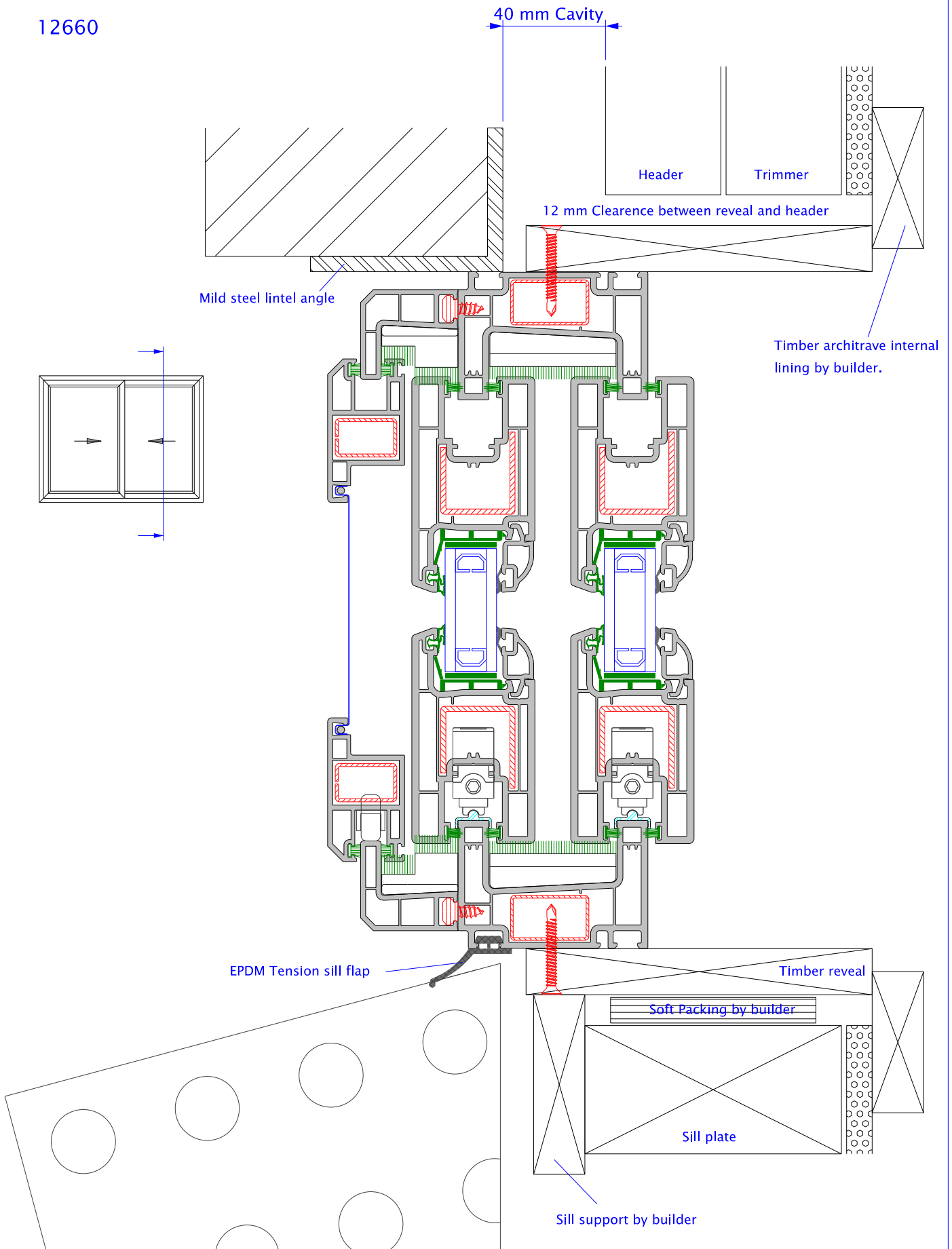
Brick Veneer Sections

SLIDING WINDOW

12660

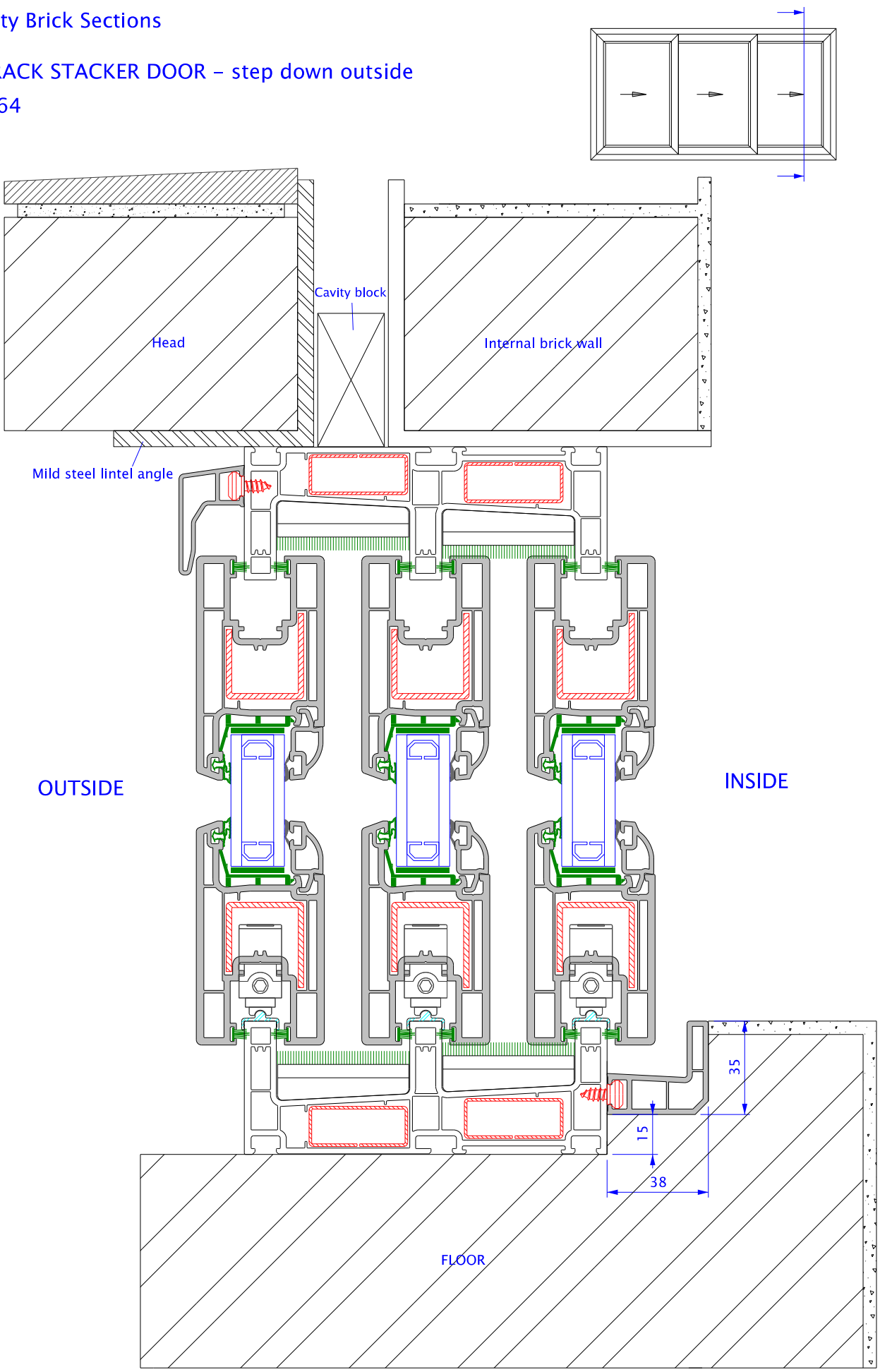


Brick Veneer Sections  
SLIDING WINDOW  
12660



Cavity Brick Sections

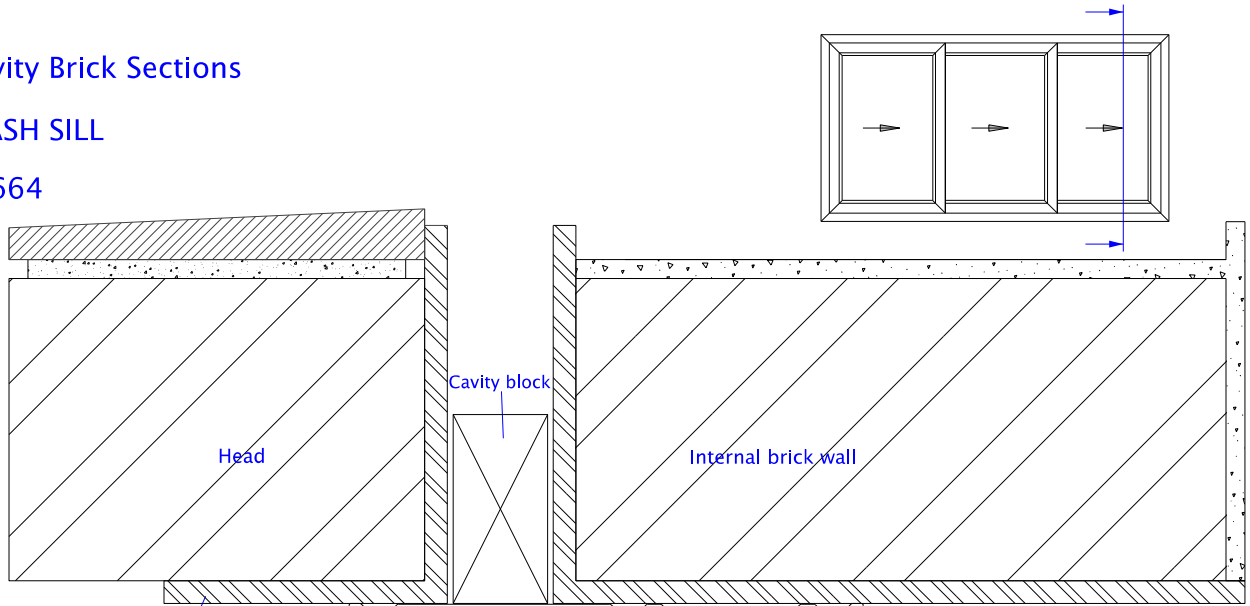
3 TRACK STACKER DOOR – step down outside  
12664



Cavity Brick Sections

FLASH SILL

12664

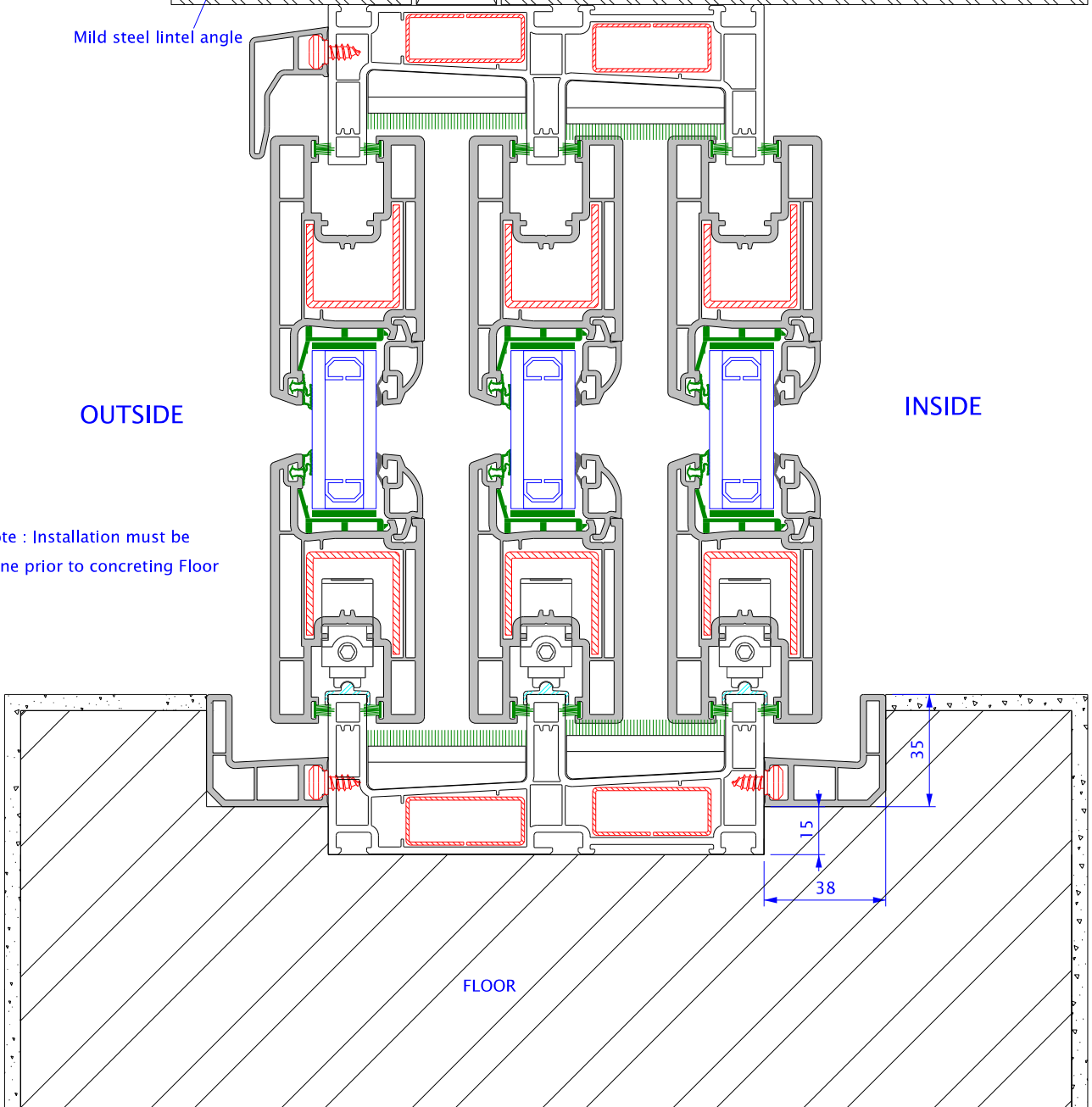


Mild steel lintel angle

OUTSIDE

INSIDE

Note : Installation must be done prior to concreting Floor

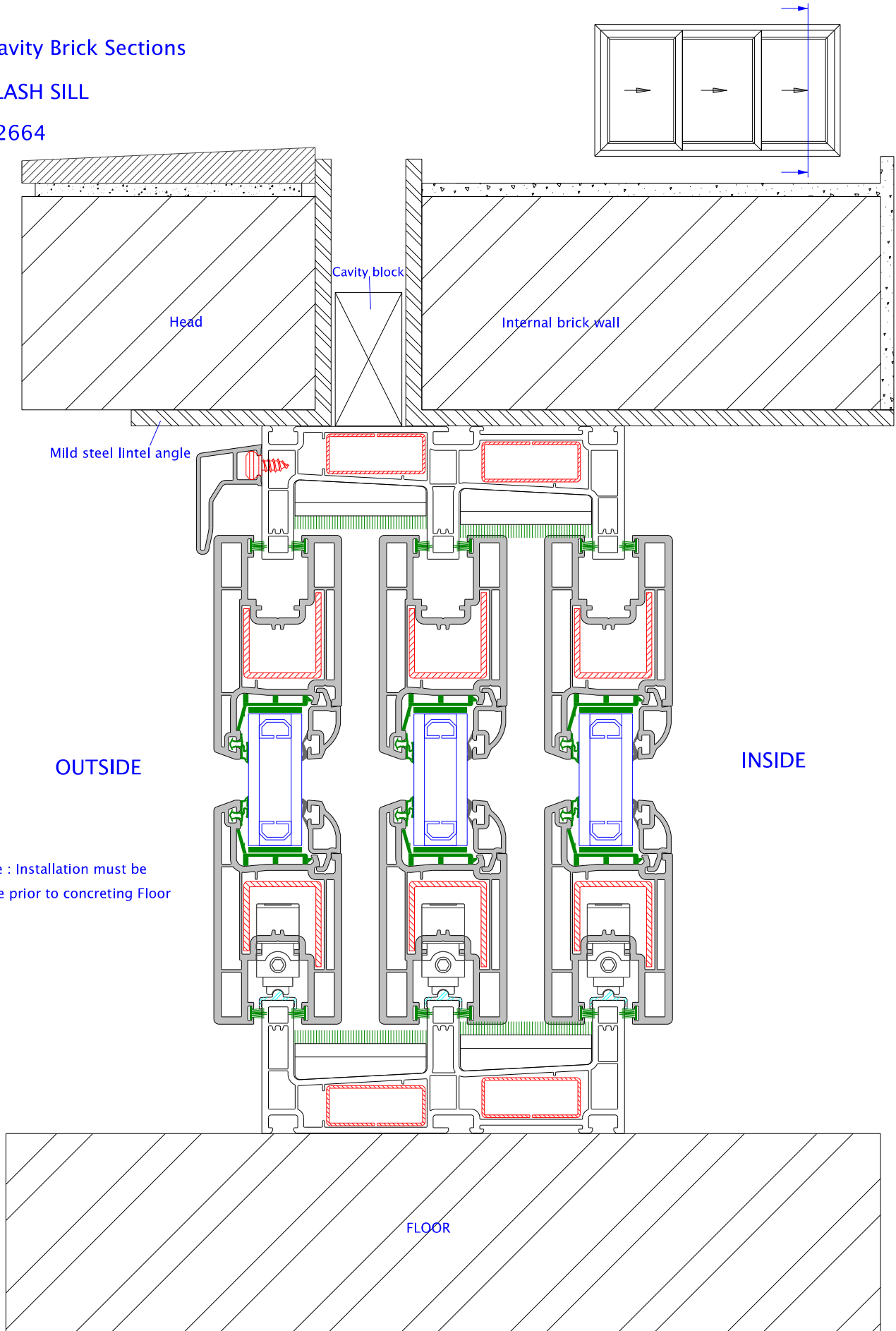


FLOOR

### Cavity Brick Sections

#### FLASH SILL

12664

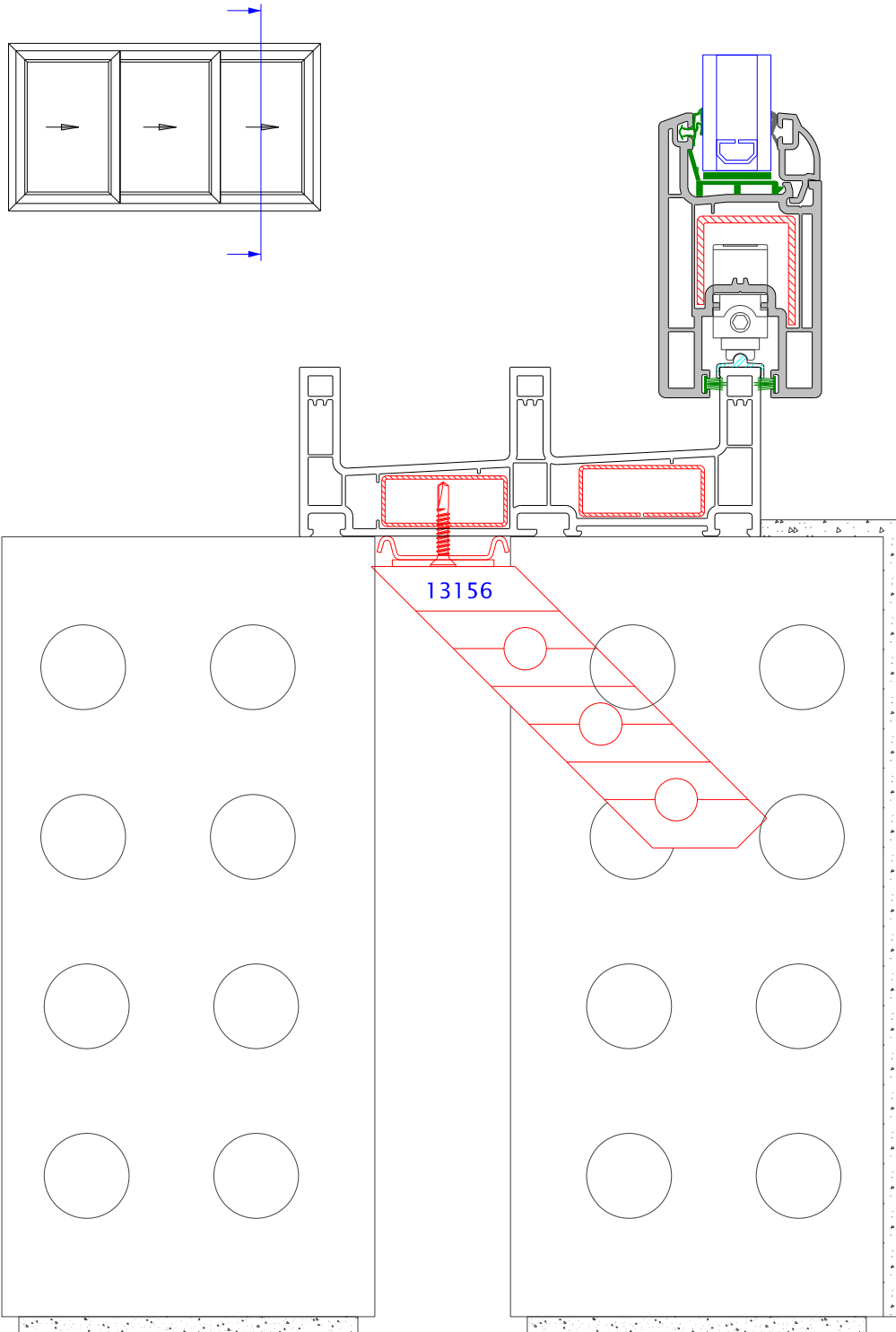


Note : Installation must be done prior to concreting Floor

Cavity Brick Sections

3 TRACK STACKER DOOR

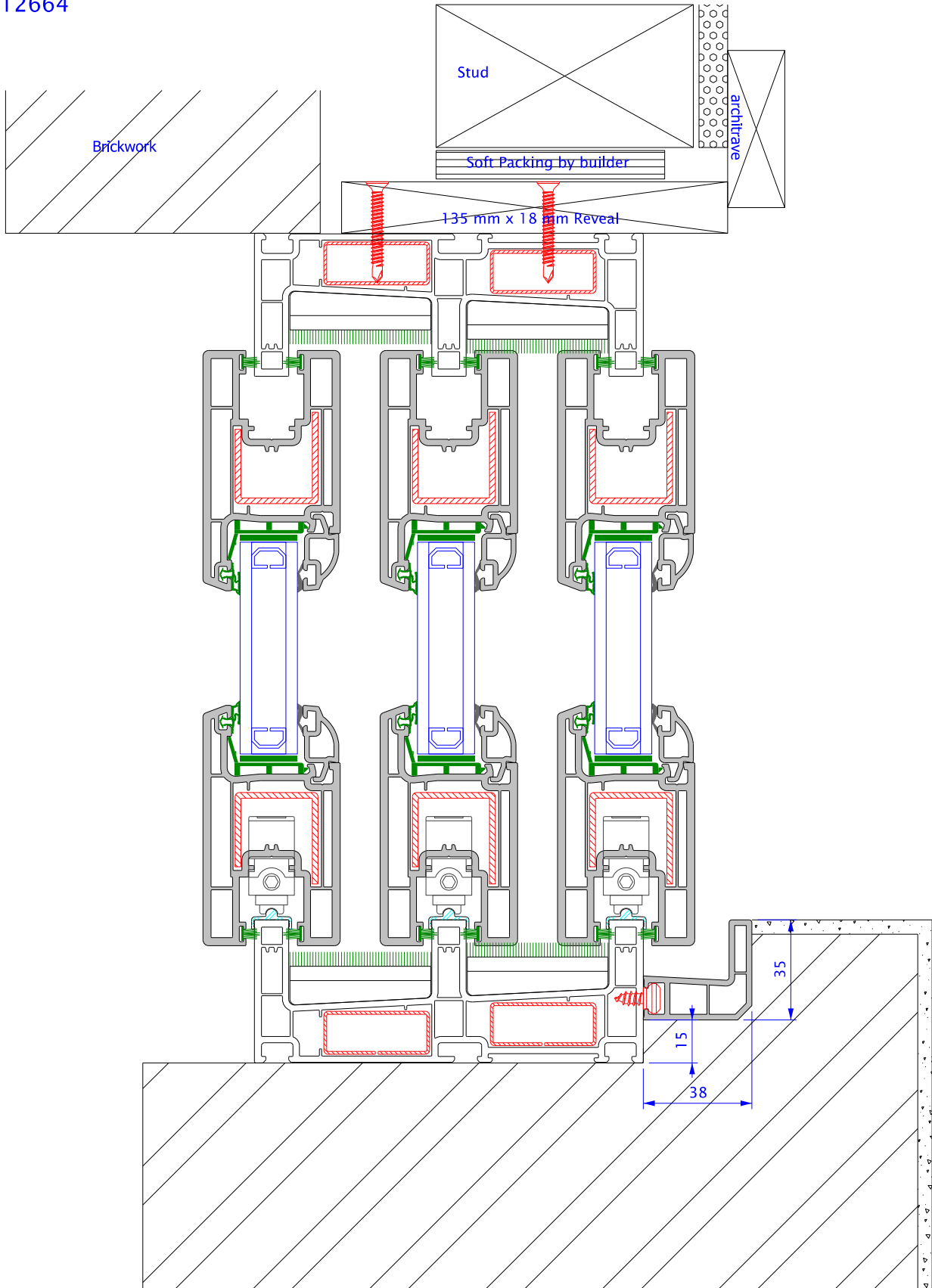
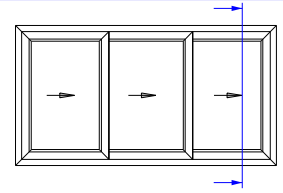
12664



Brick Veneer Sections

3 TRACK STACKER DOOR

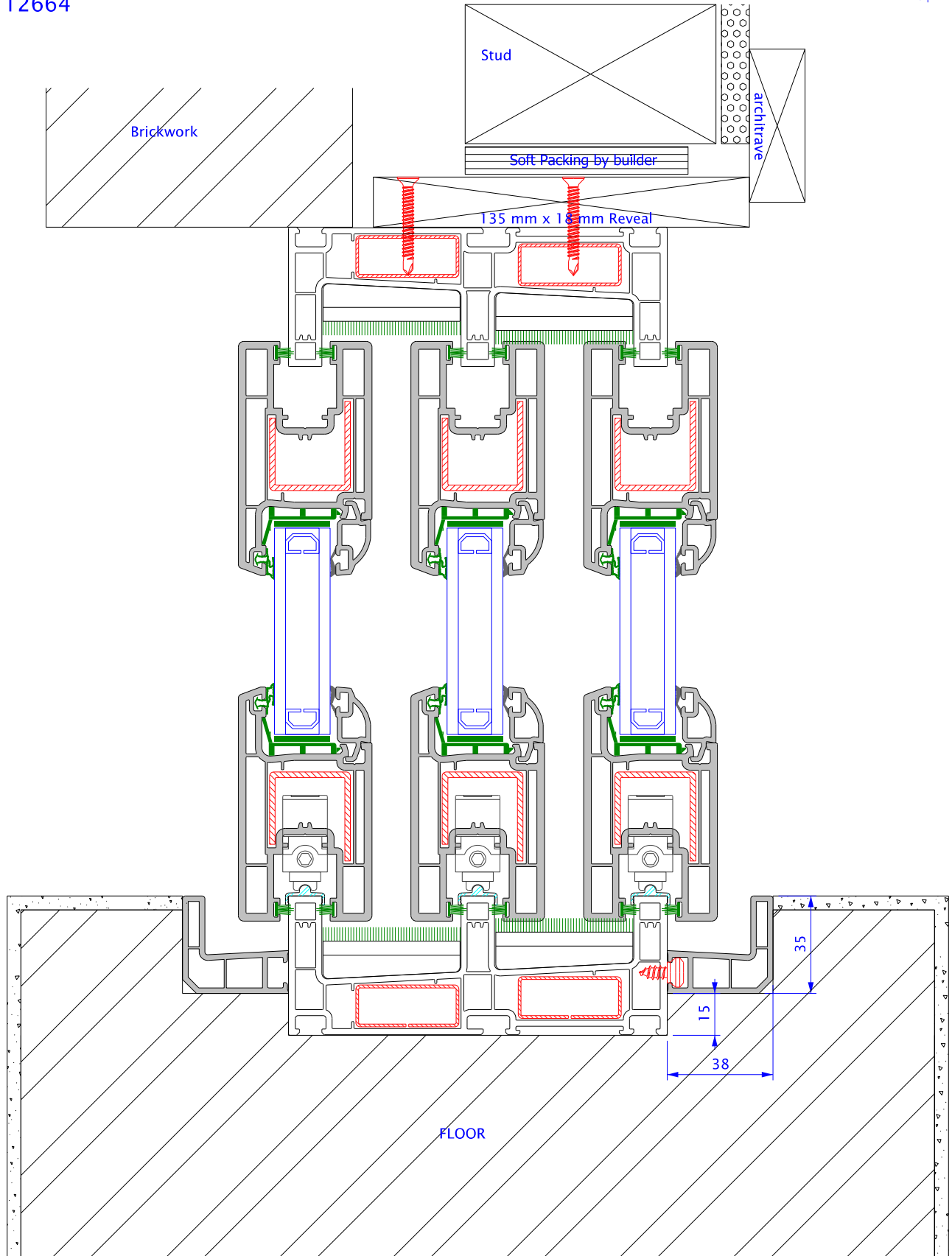
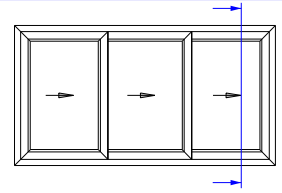
12664



Brick Veneer Sections

3 TRACK STACKER DOOR

12664

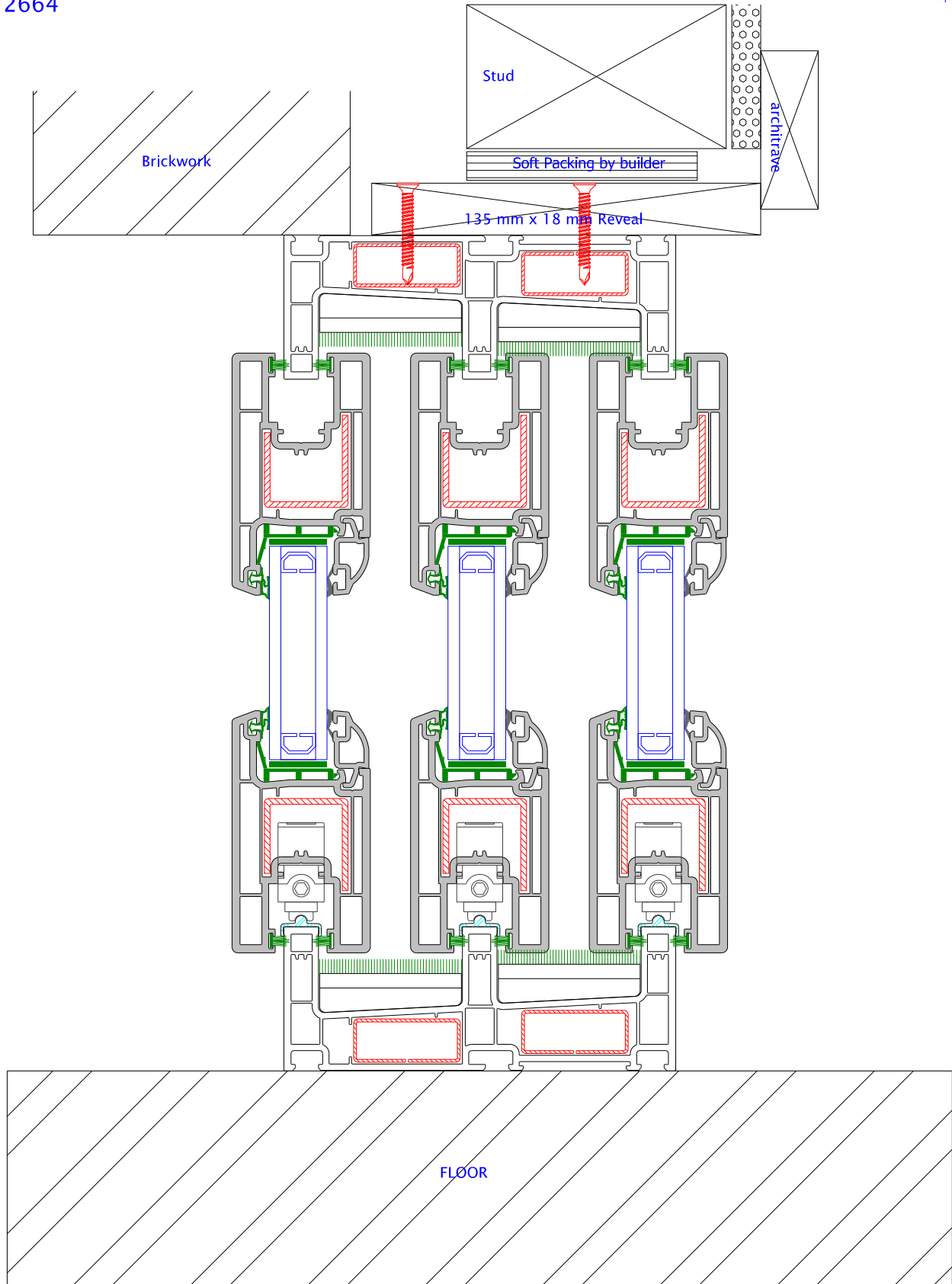
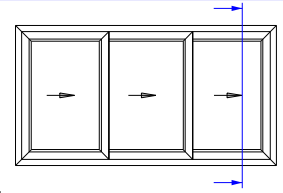




Brick Veneer Sections

3 TRACK STACKER DOOR

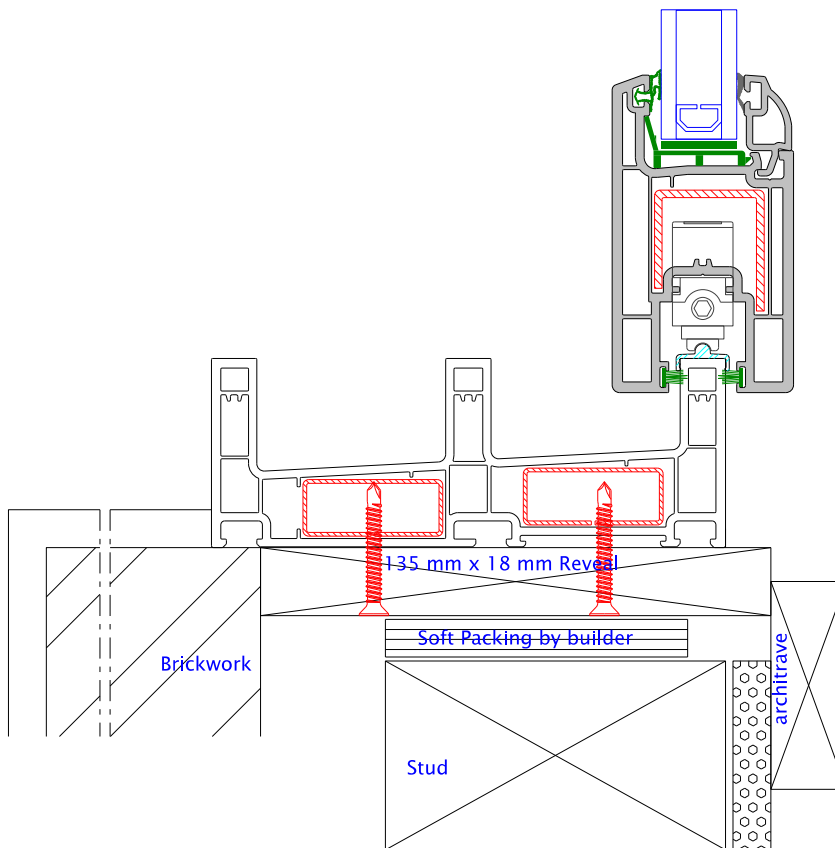
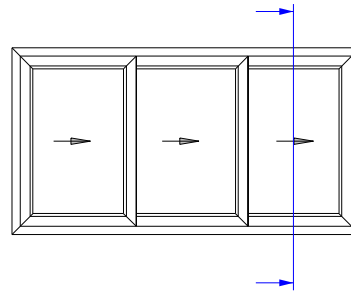
12664



Brick Veneer Sections

3 TRACK STACKER DOOR

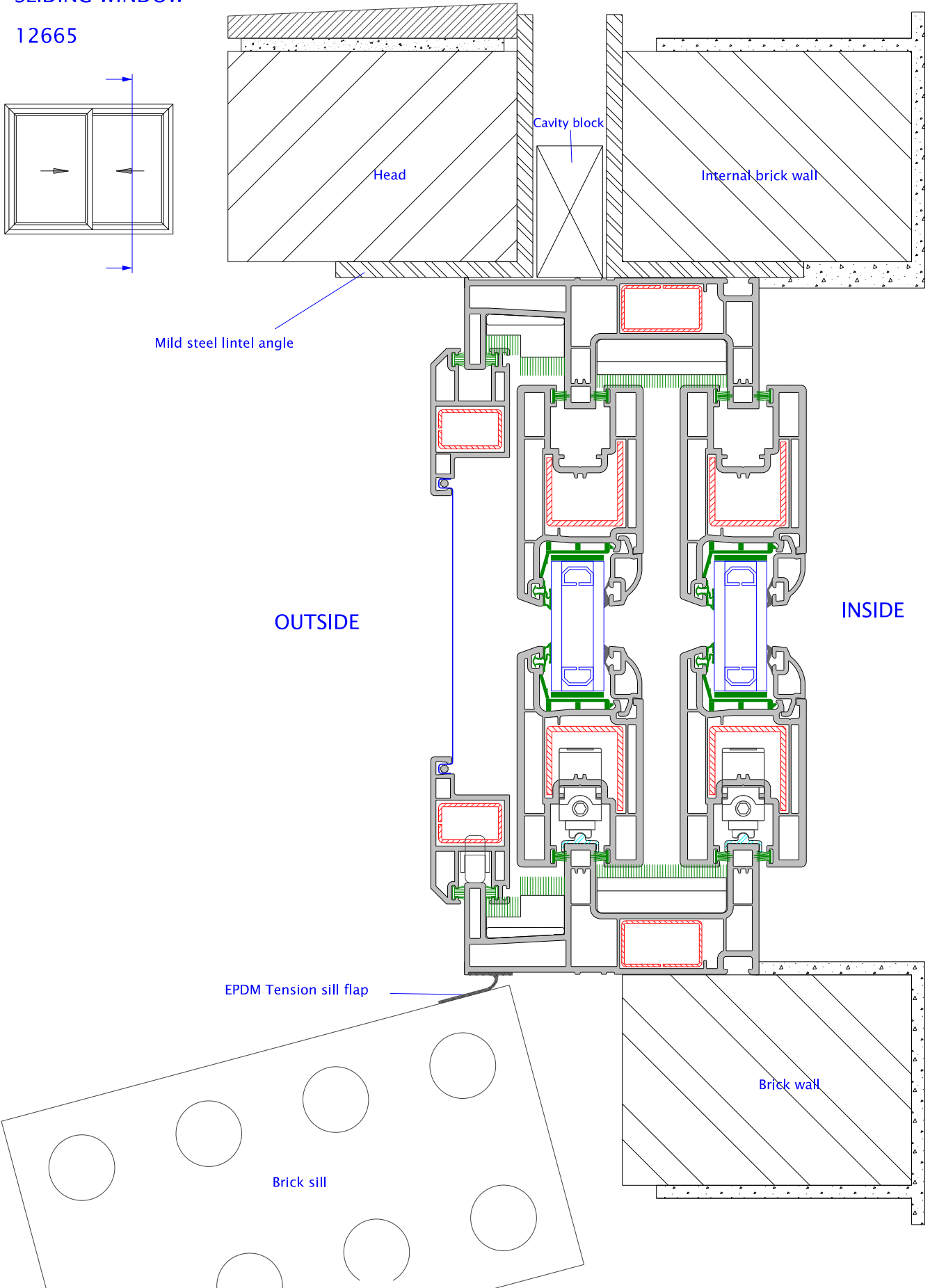
12664



Cavity Brick Sections

SLIDING WINDOW

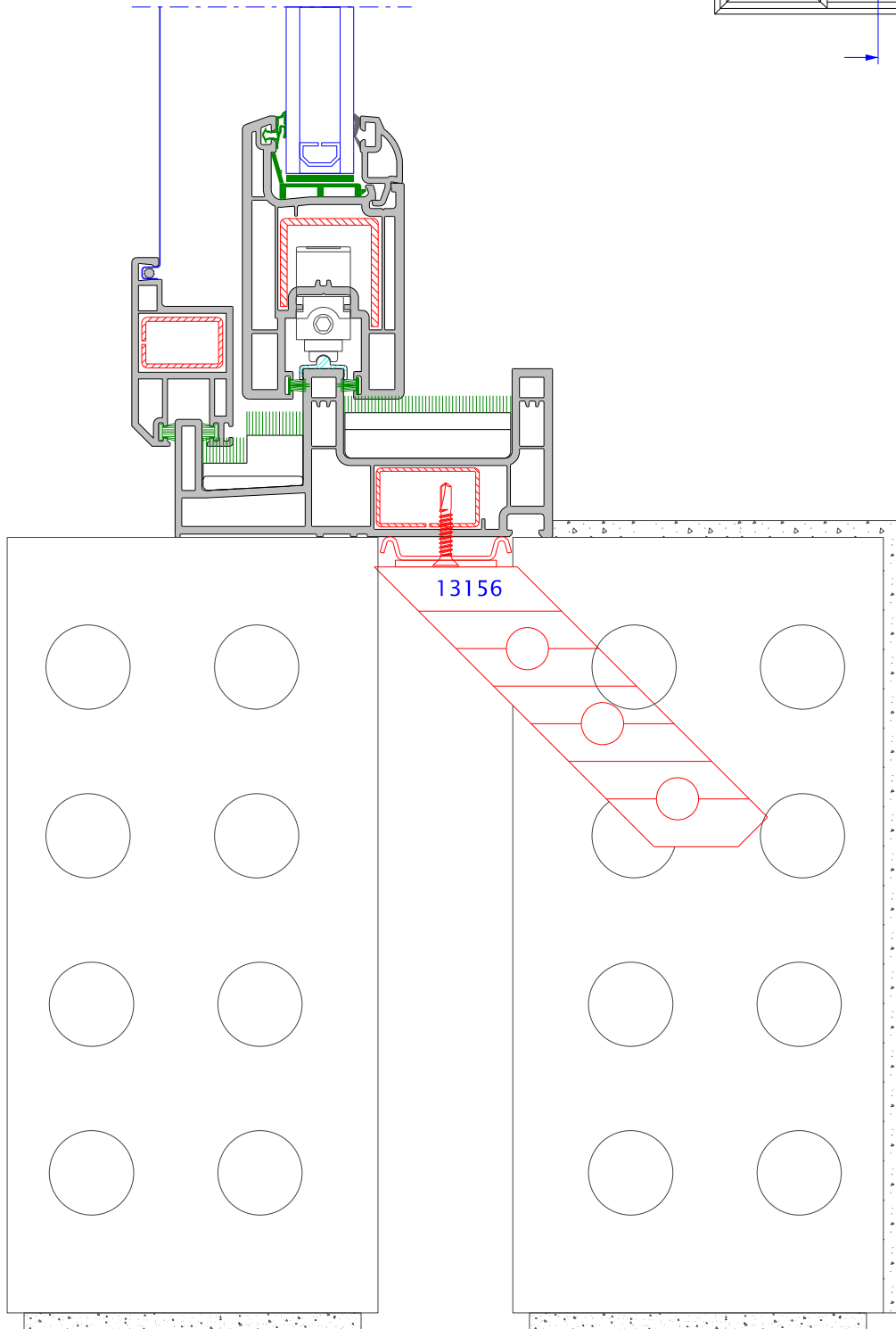
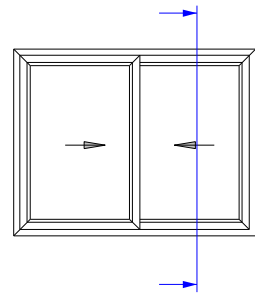
12665



Cavity Brick Sections

SLIDING WINDOW

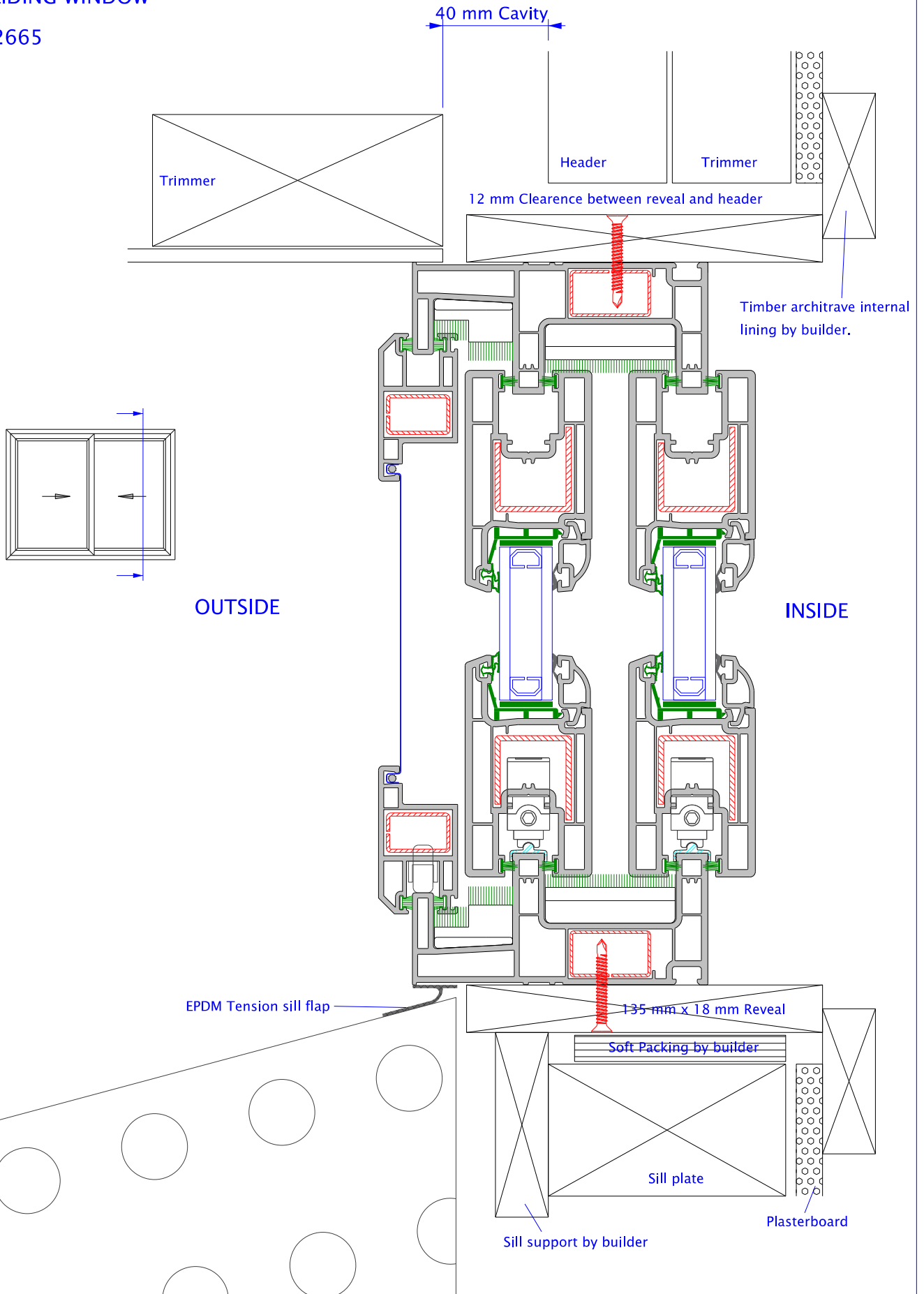
12665



Brick Veneer Sections

SLIDING WINDOW

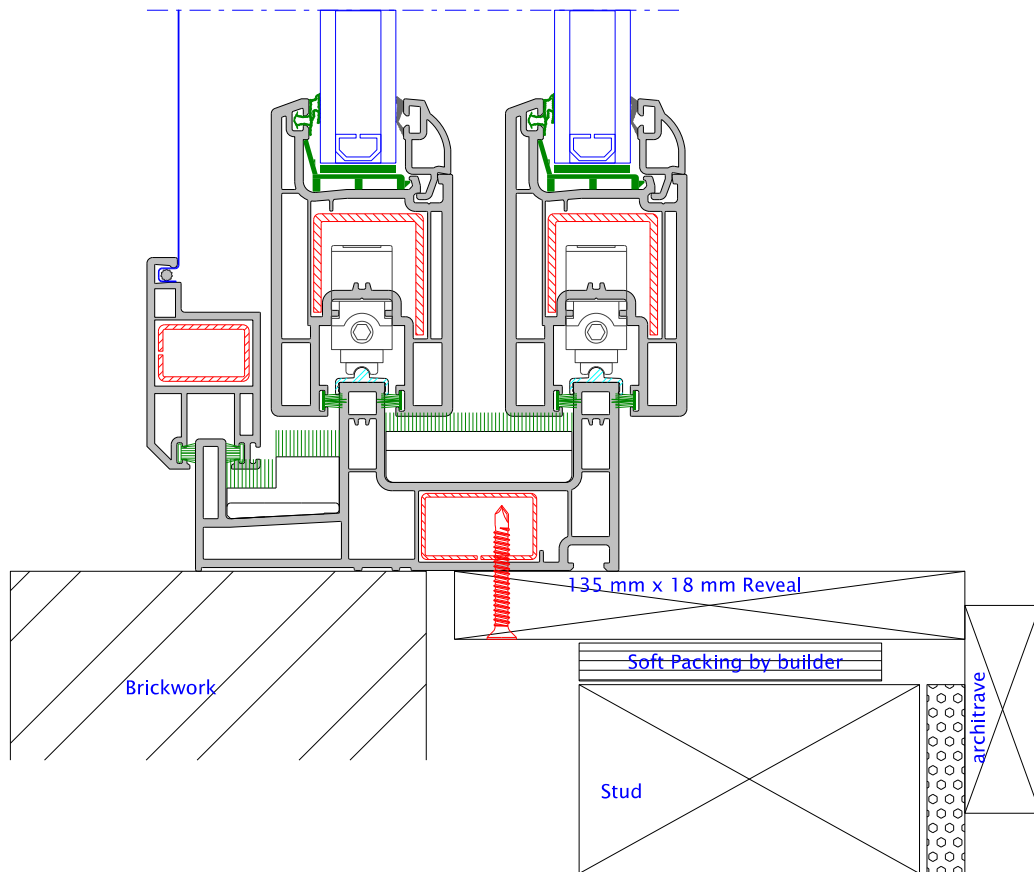
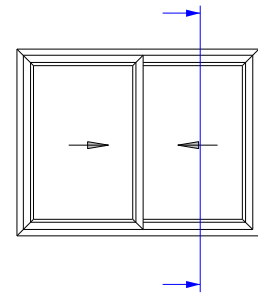
12665



Brick Veneer Sections

SLIDING WINDOW

12665

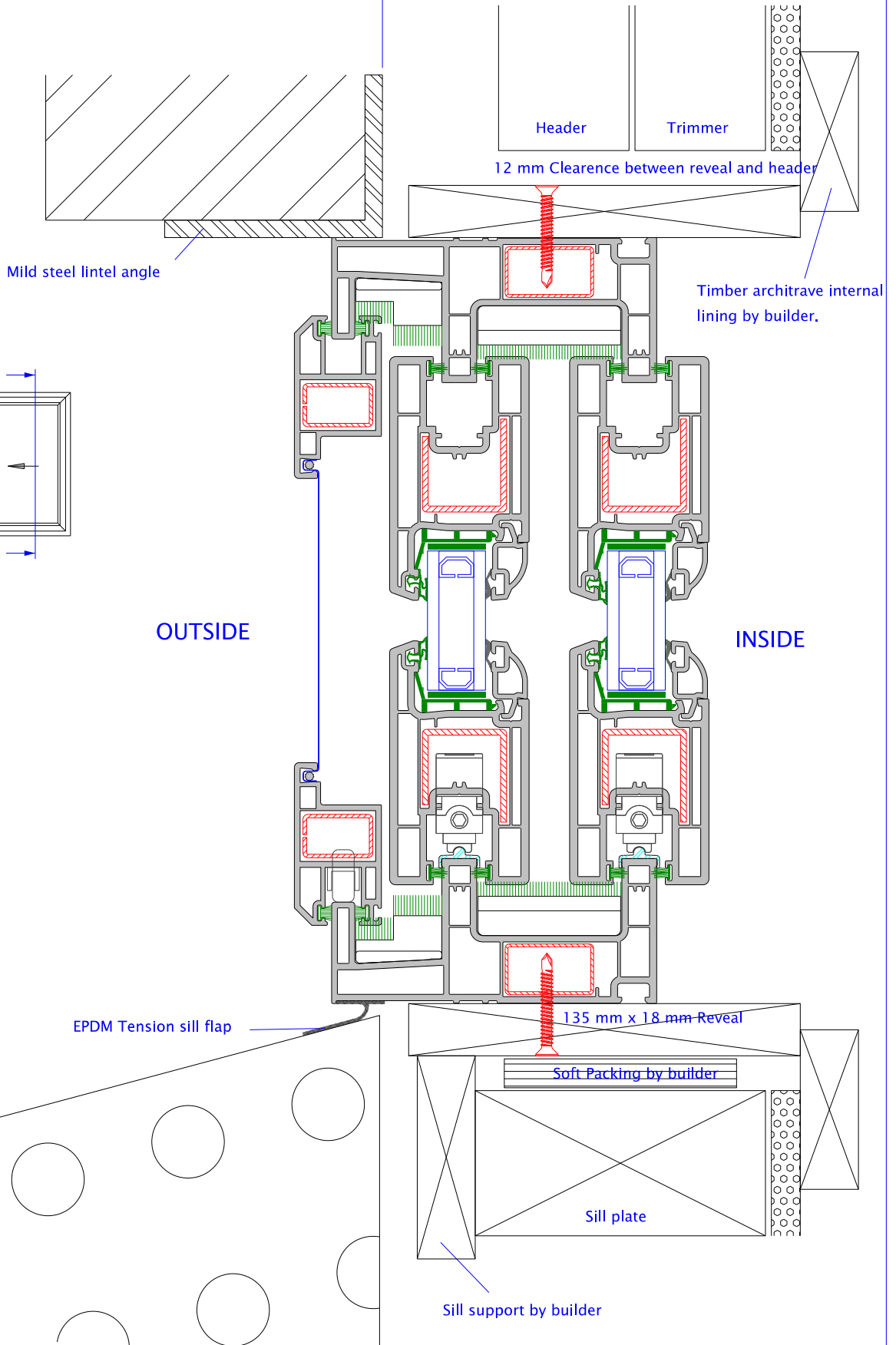


Brick Veneer Sections

SLIDING WINDOW

12665

40 mm Cavity

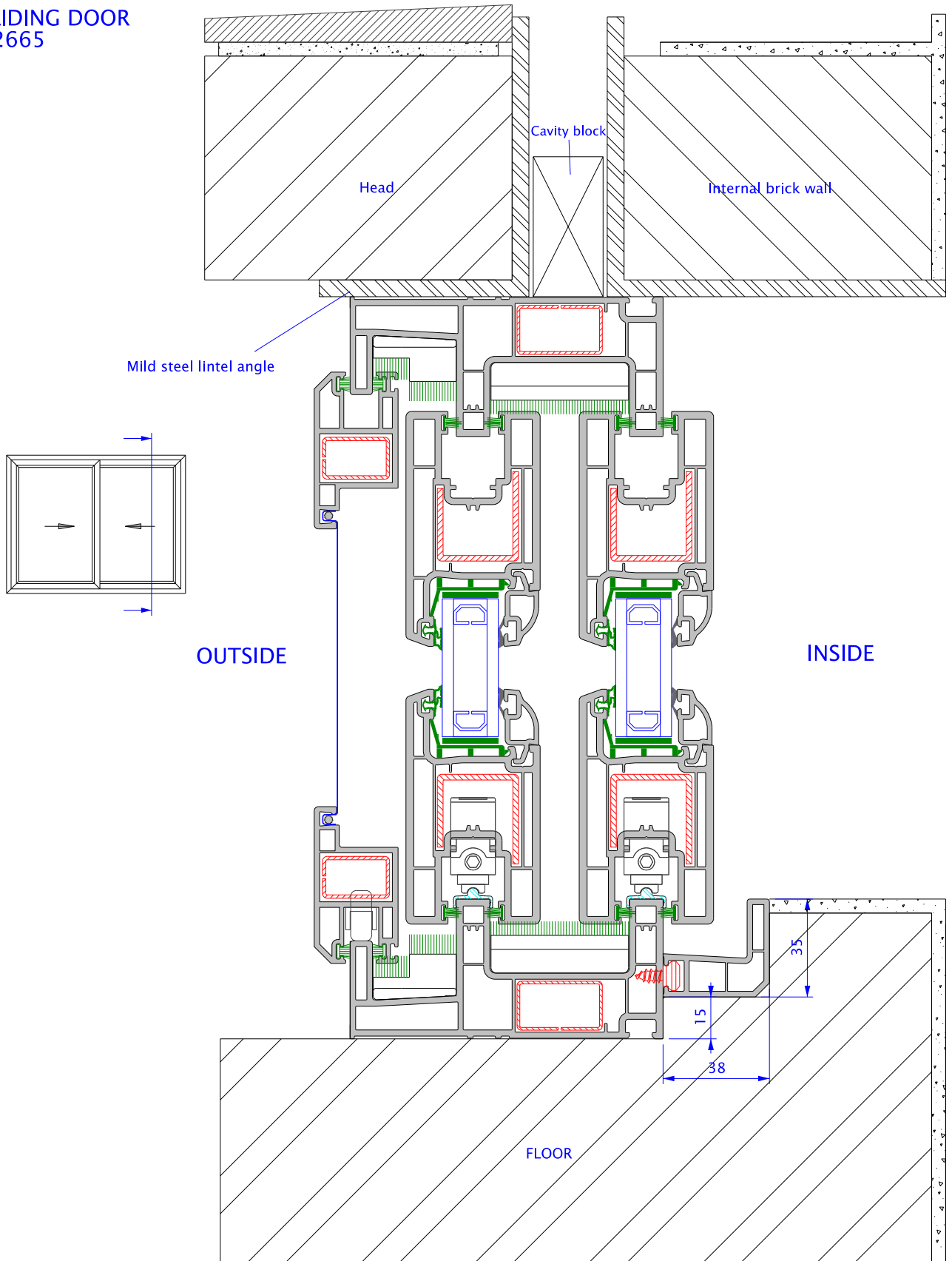


OUTSIDE

INSIDE

Cavity Brick Sections  
Step down Outside

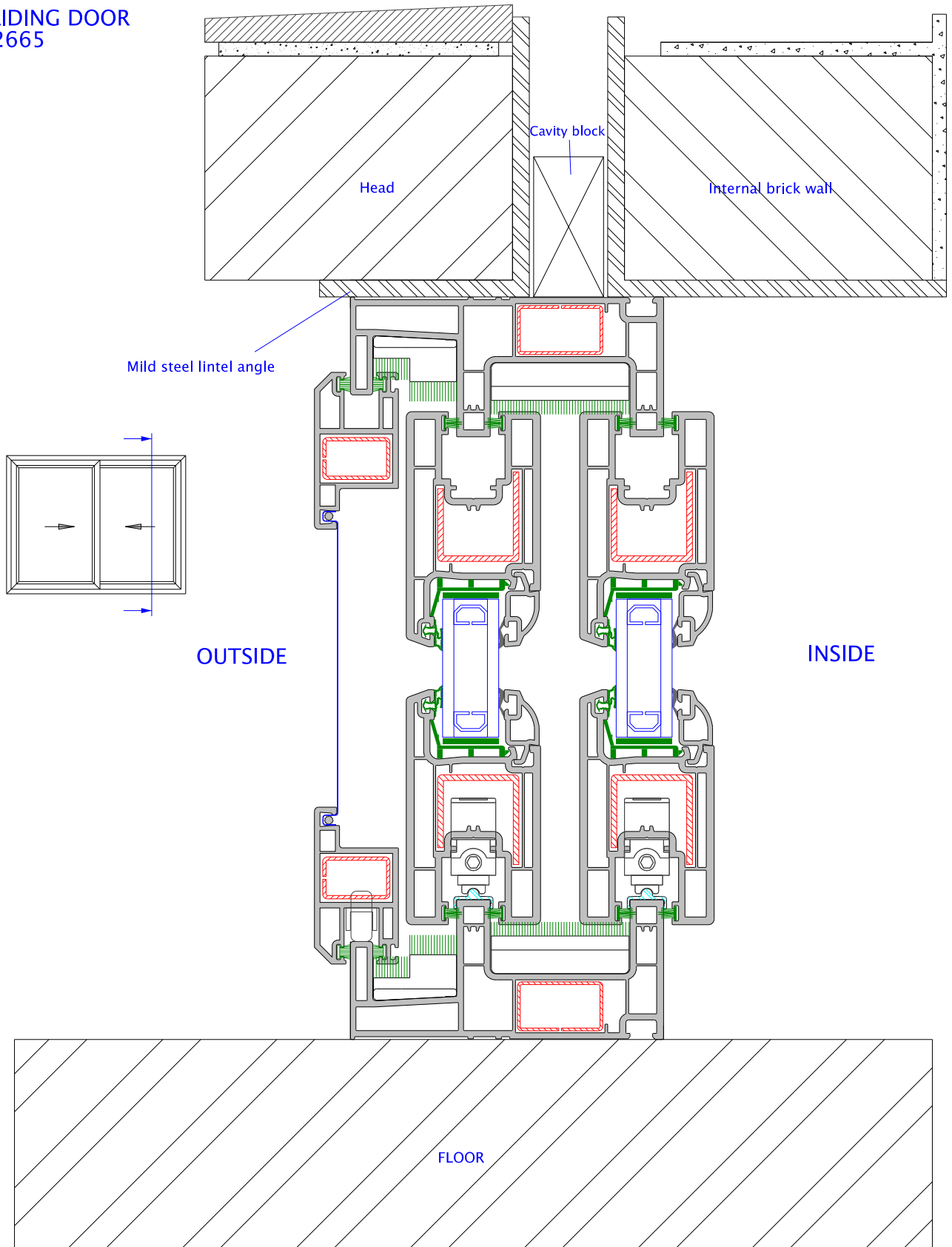
SLIDING DOOR  
12665





Cavity Brick Sections  
Step down Outside

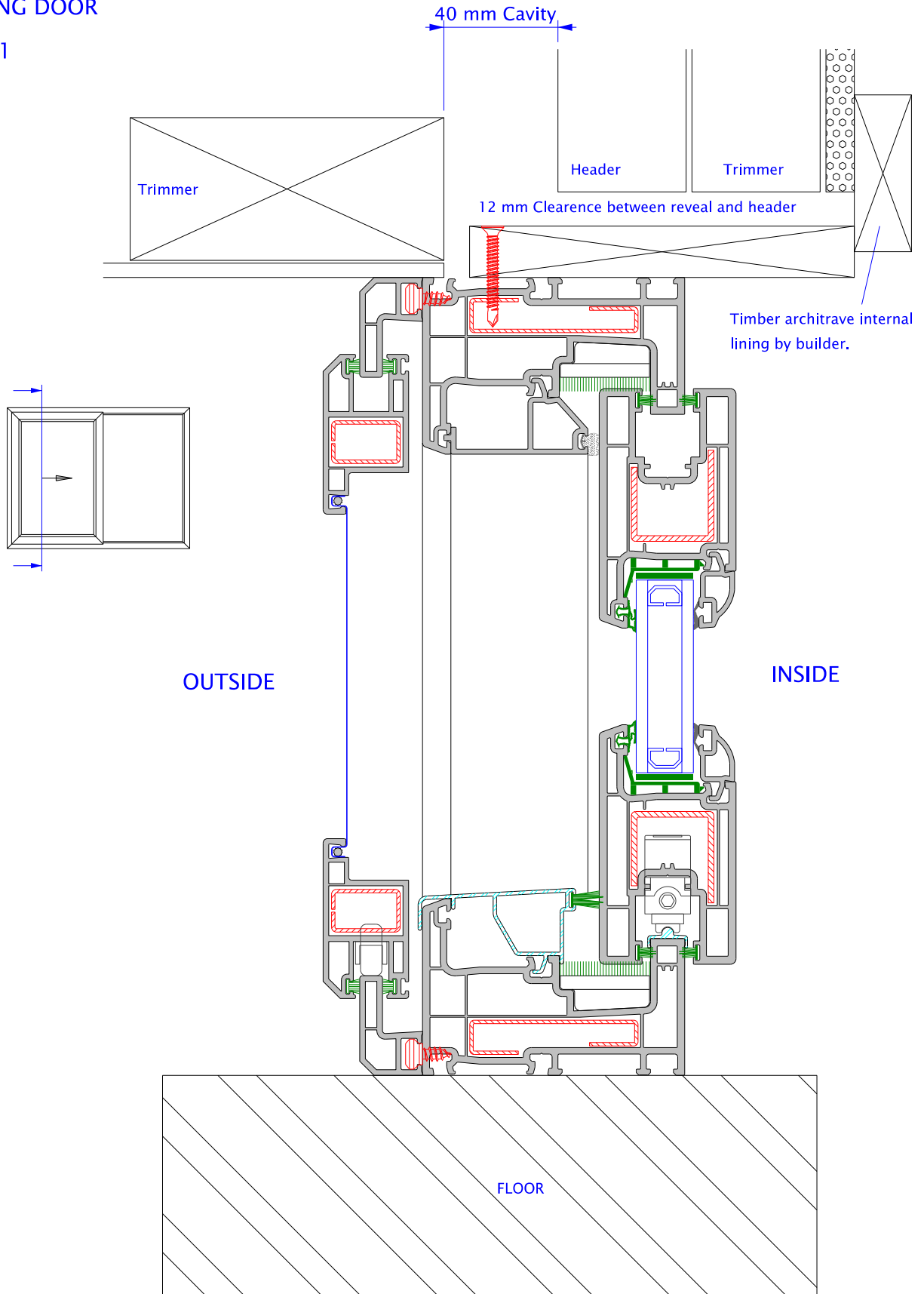
SLIDING DOOR  
12665



Brick Veneer Sections

SLIDING DOOR

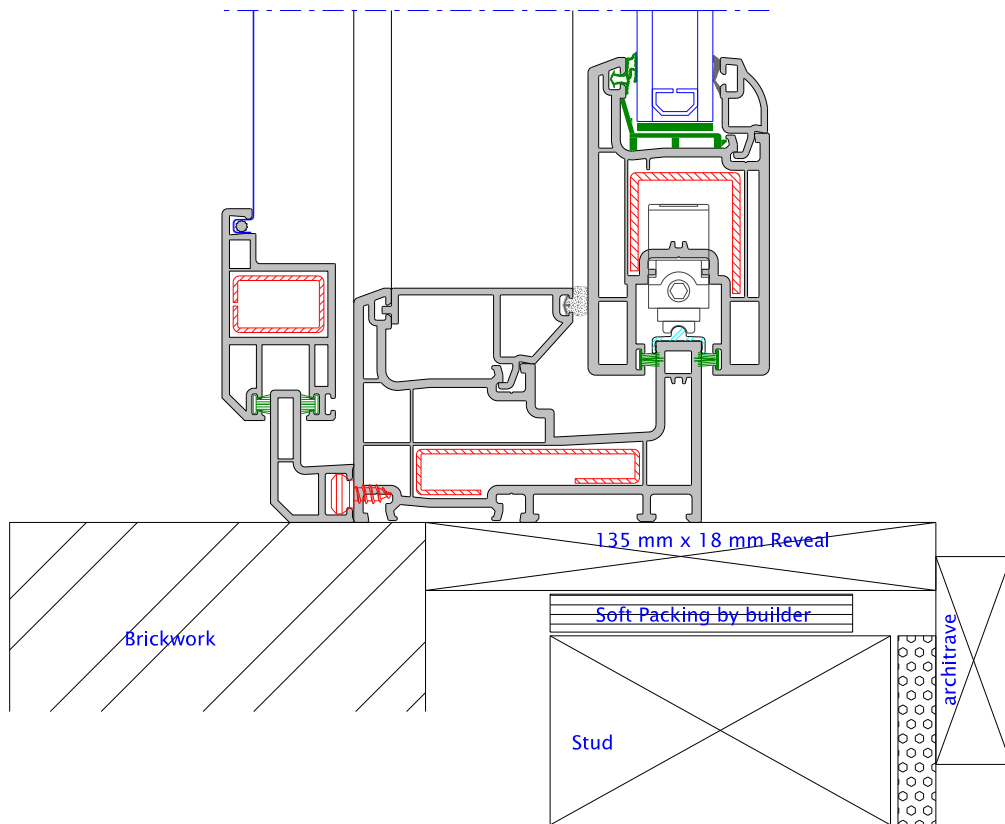
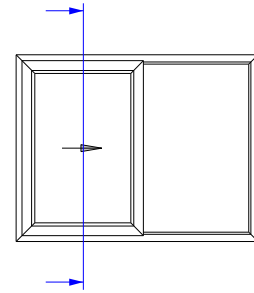
12661



Brick Veneer Sections

SLIDING WINDOW

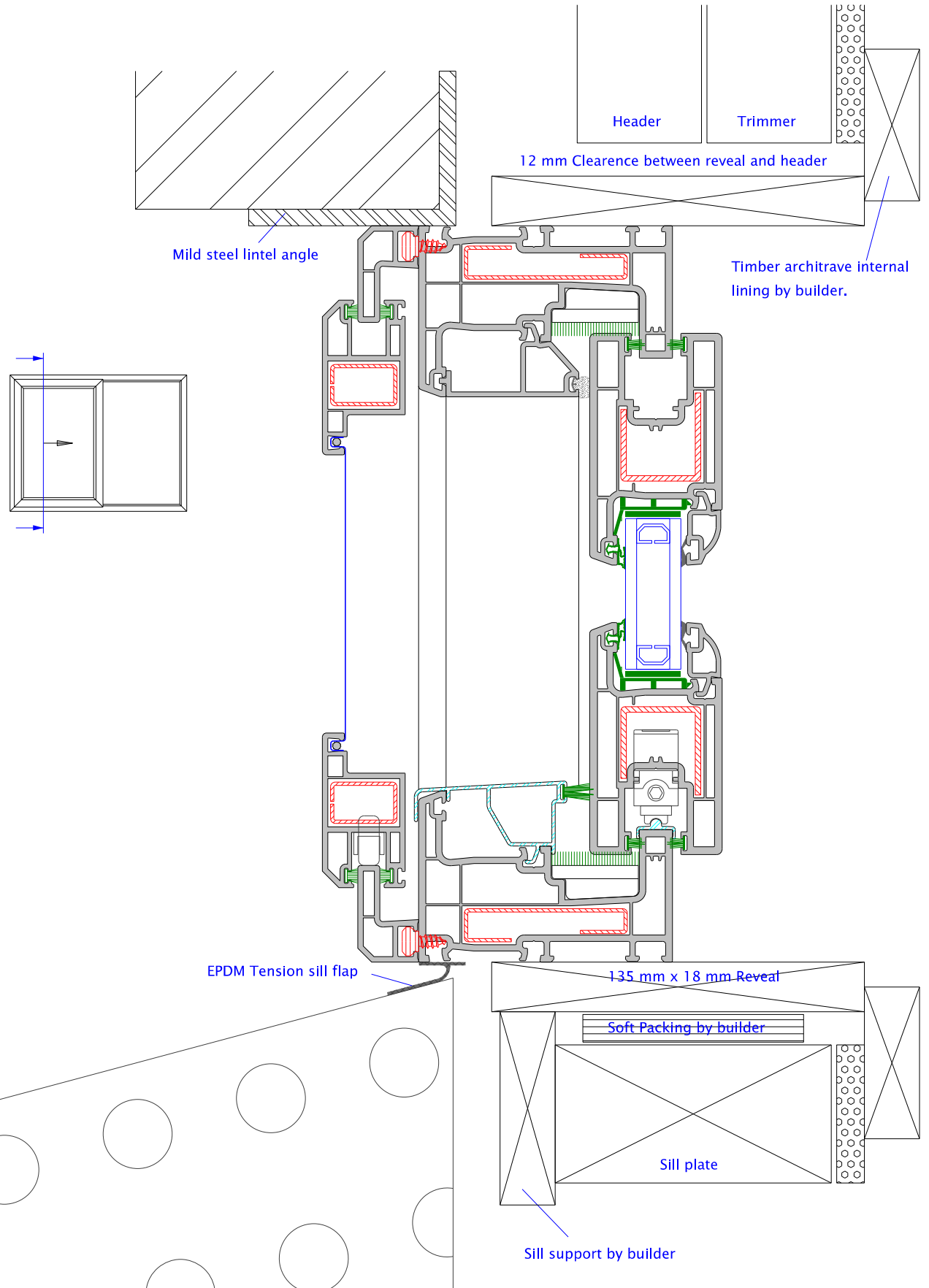
12661



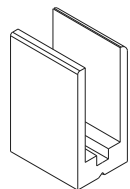
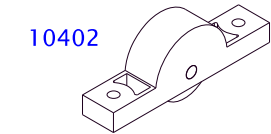
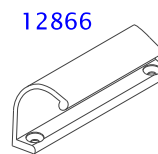
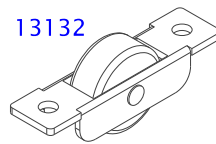
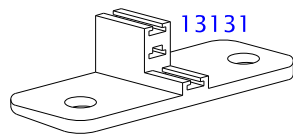
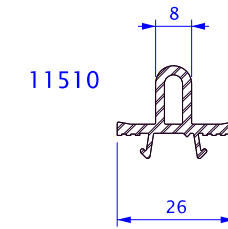
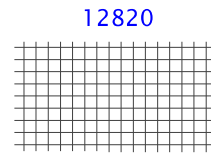
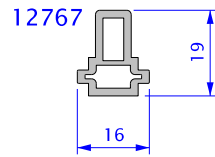
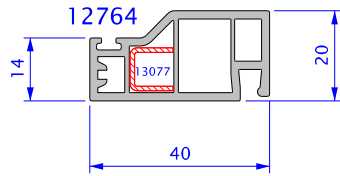
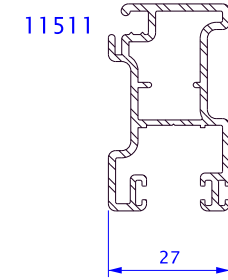
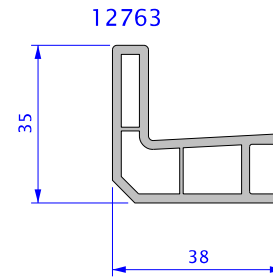
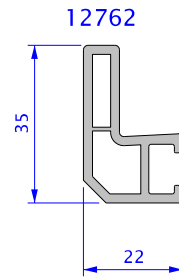
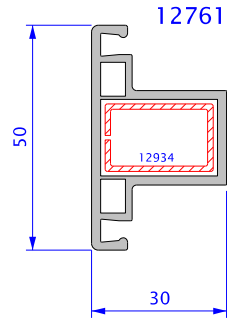
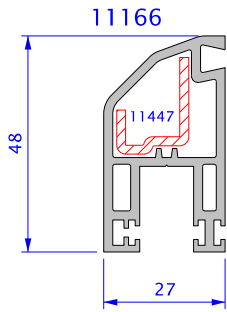
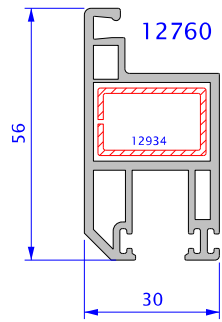
Brick Veneer Sections

SLIDING DOOR

12661



Technical documents are subject to change without notice



12973  
=> 12761



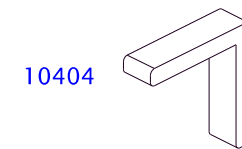
13133



841



933



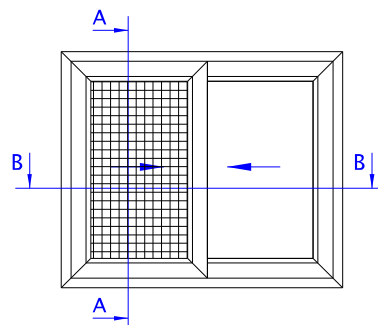
10404



10569

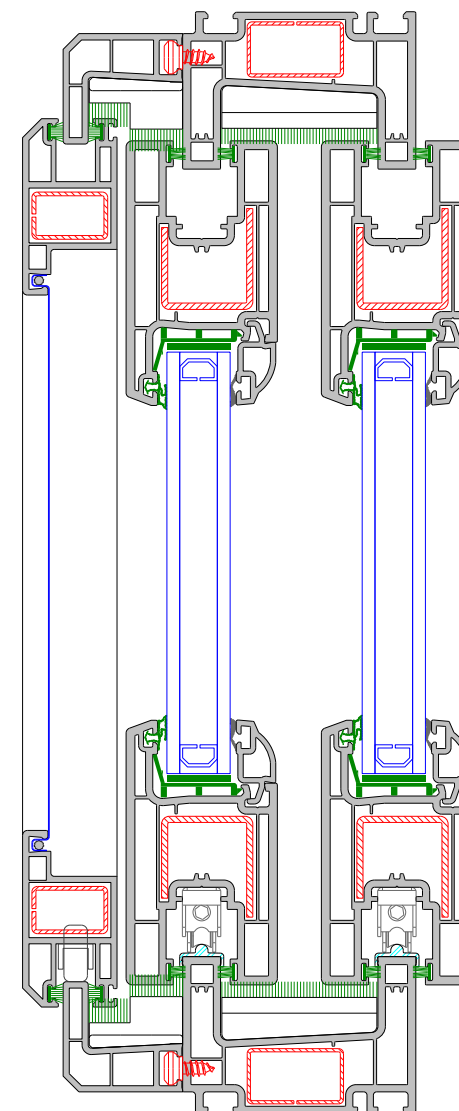
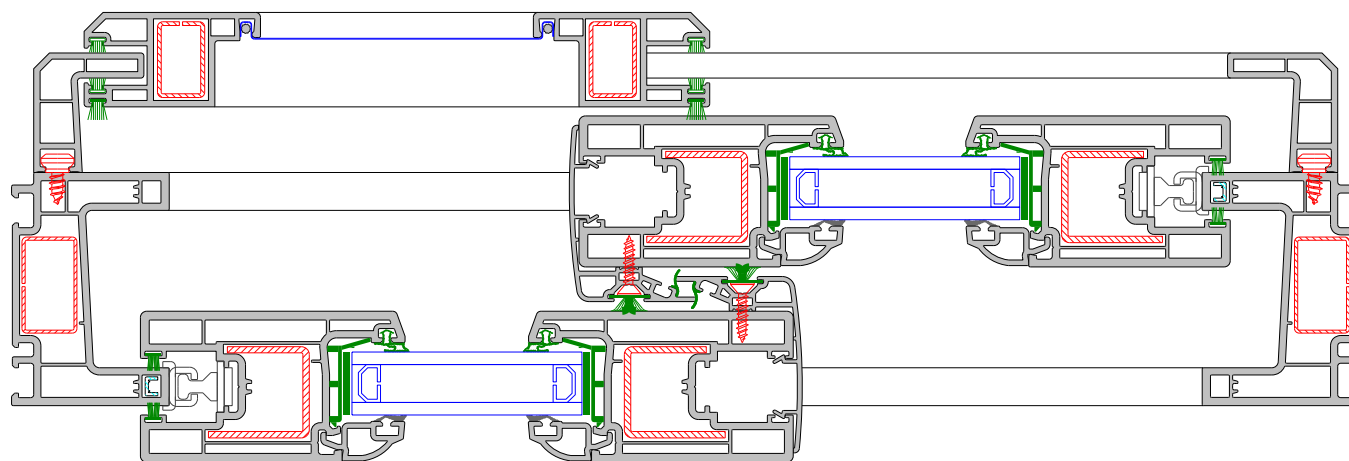


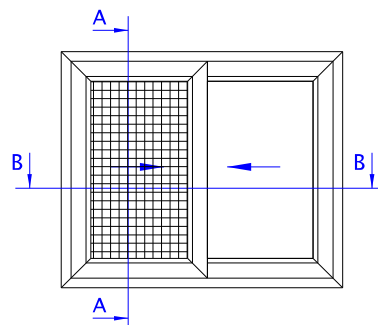
10570



A - A

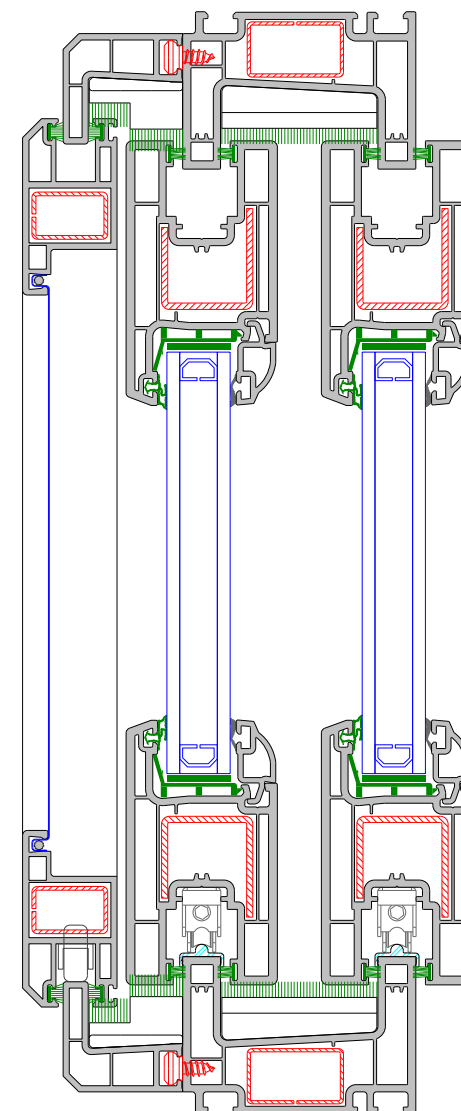
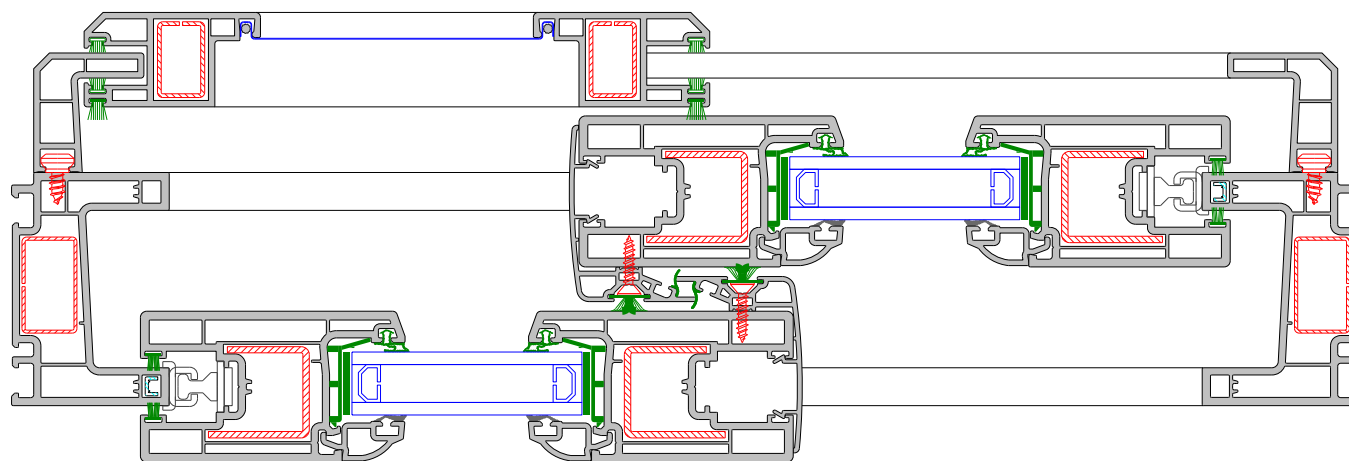
B - B

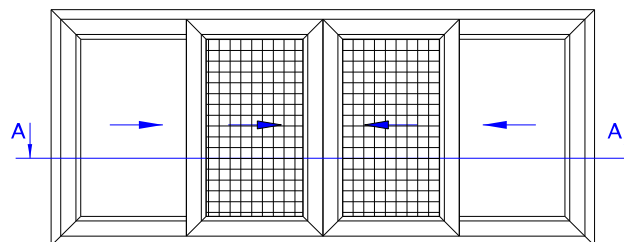




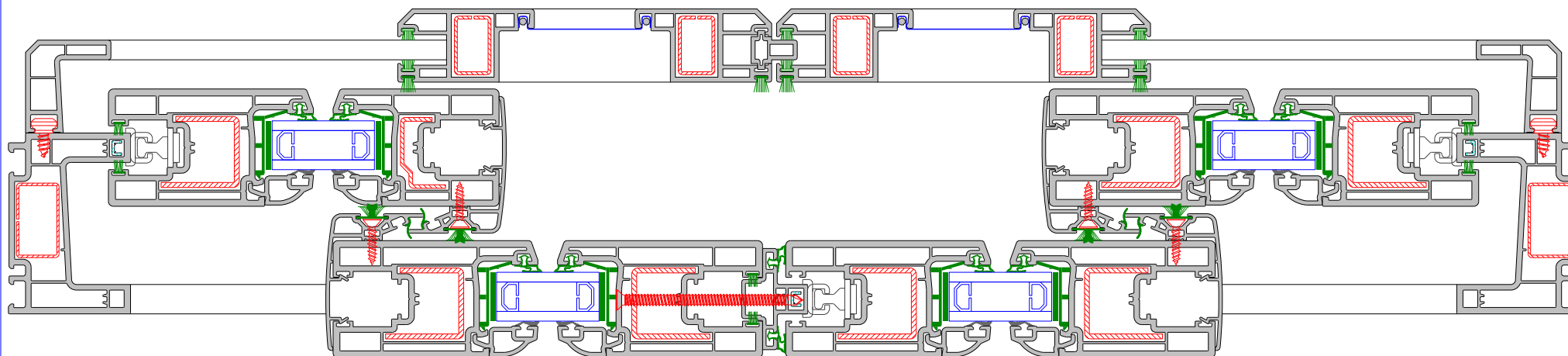
A - A

B - B

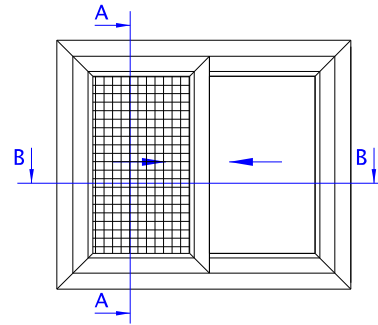




A - A

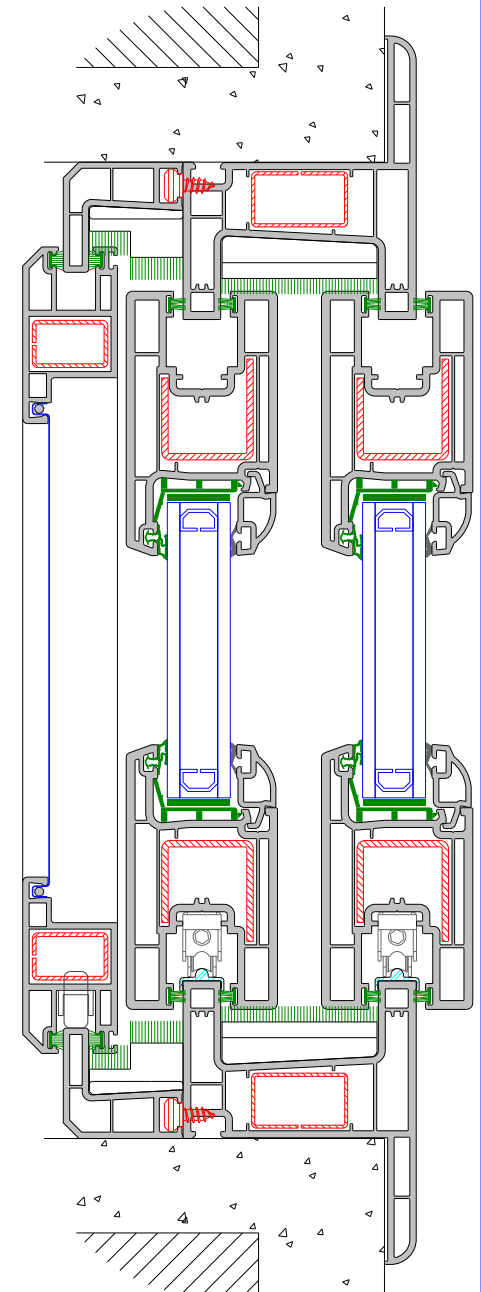
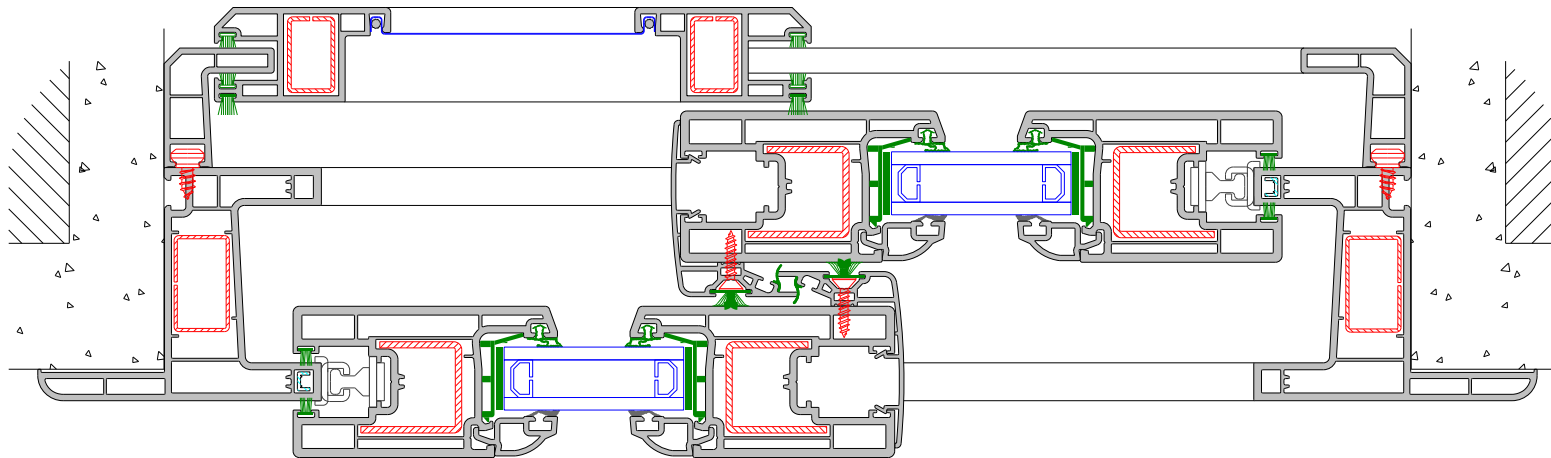


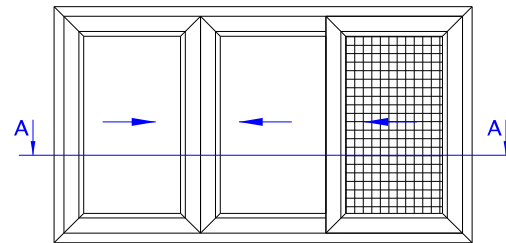




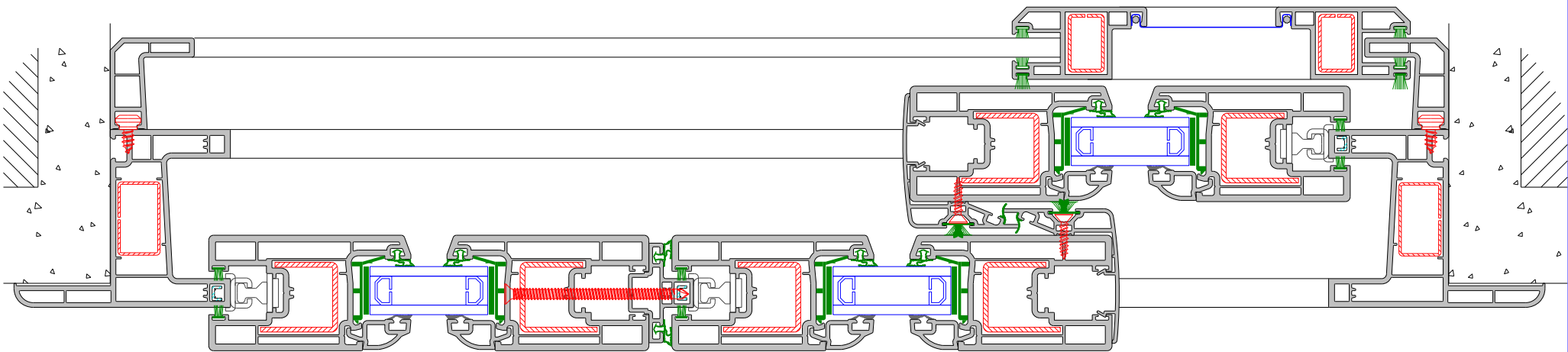
B - B

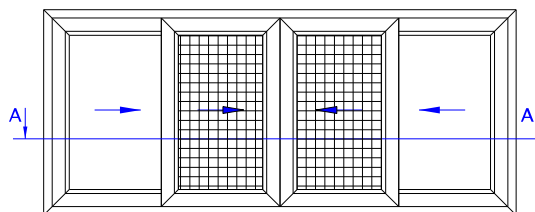
A - A



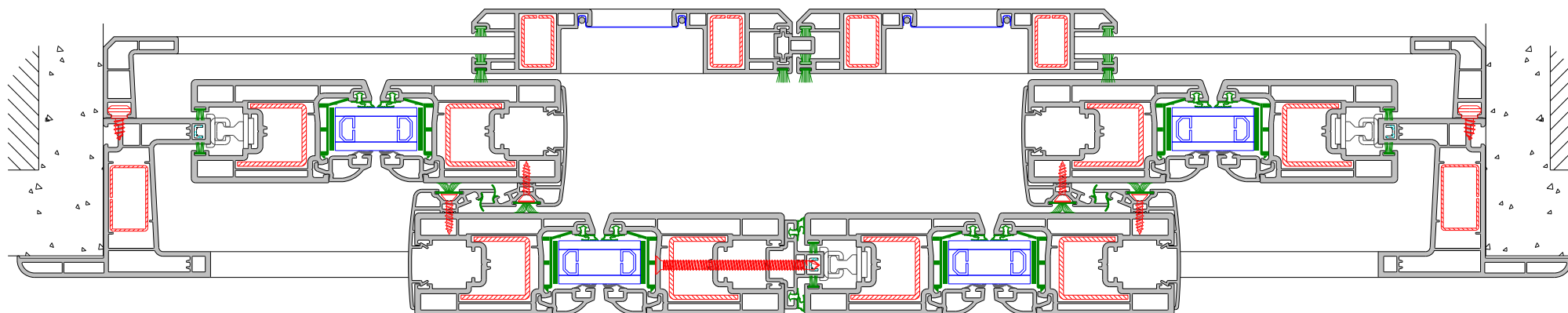


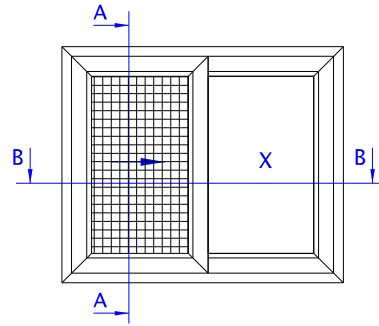
A - A





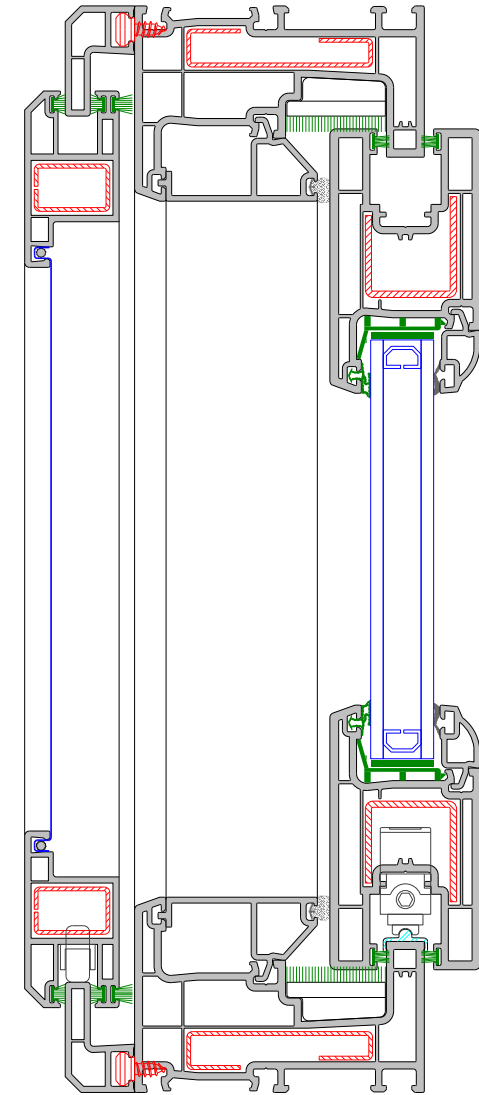
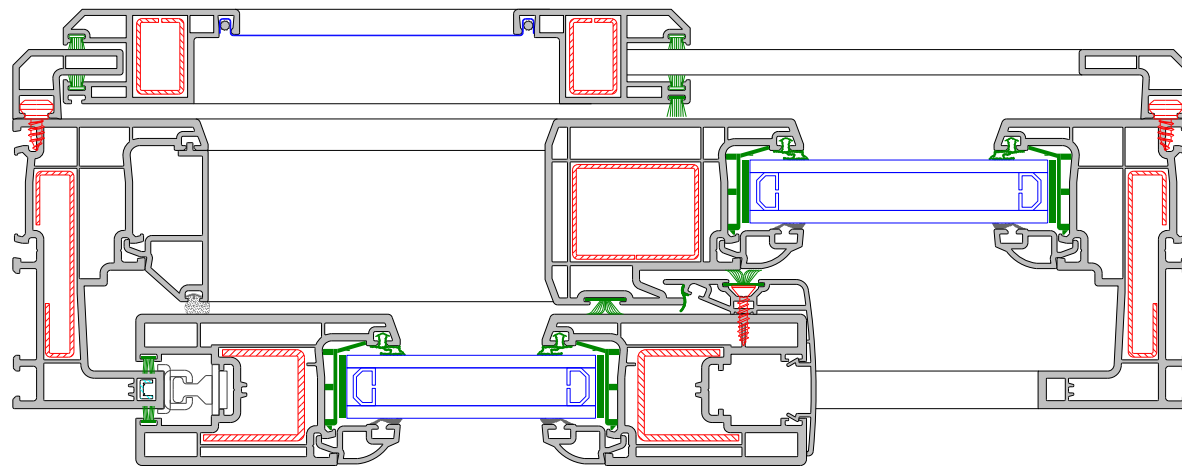
A - A

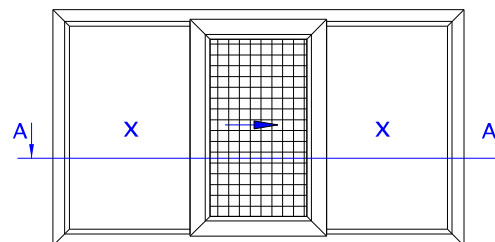




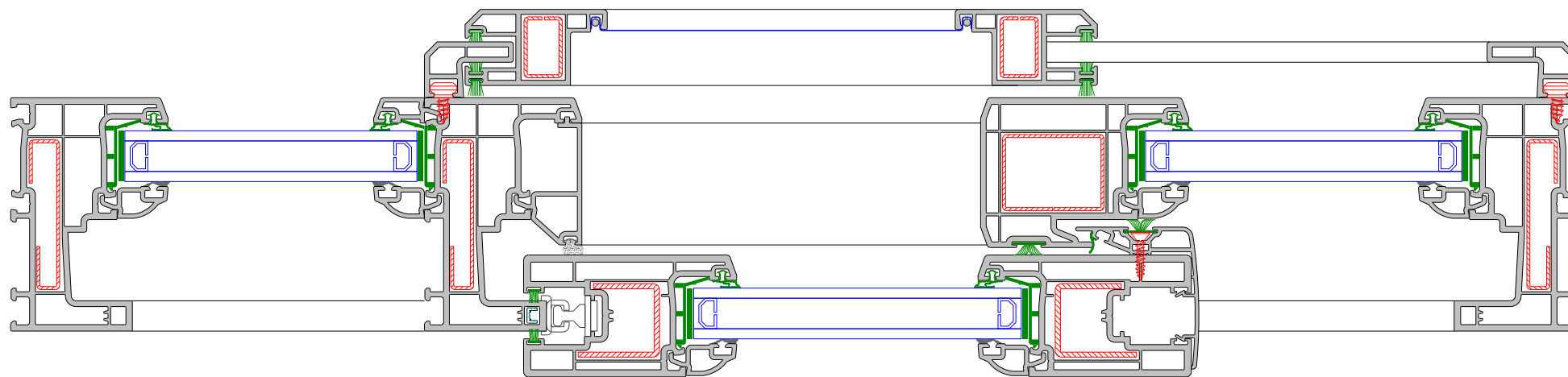
A - A

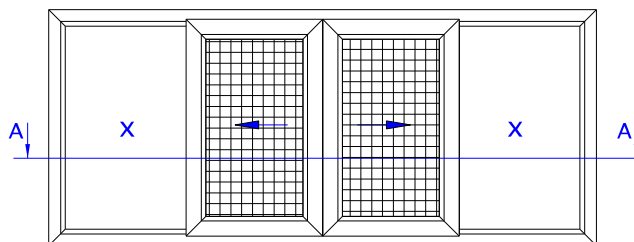
B - B



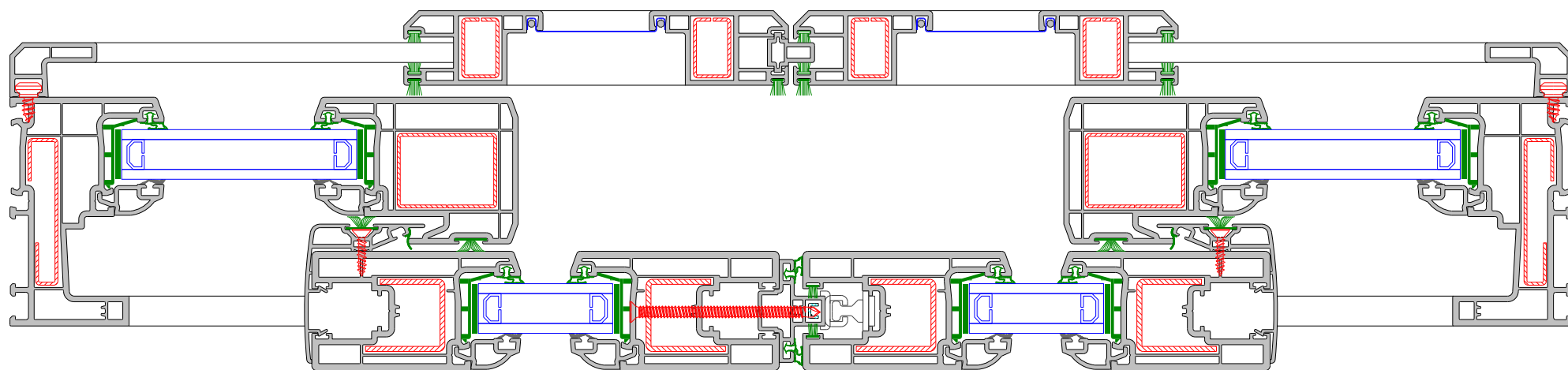


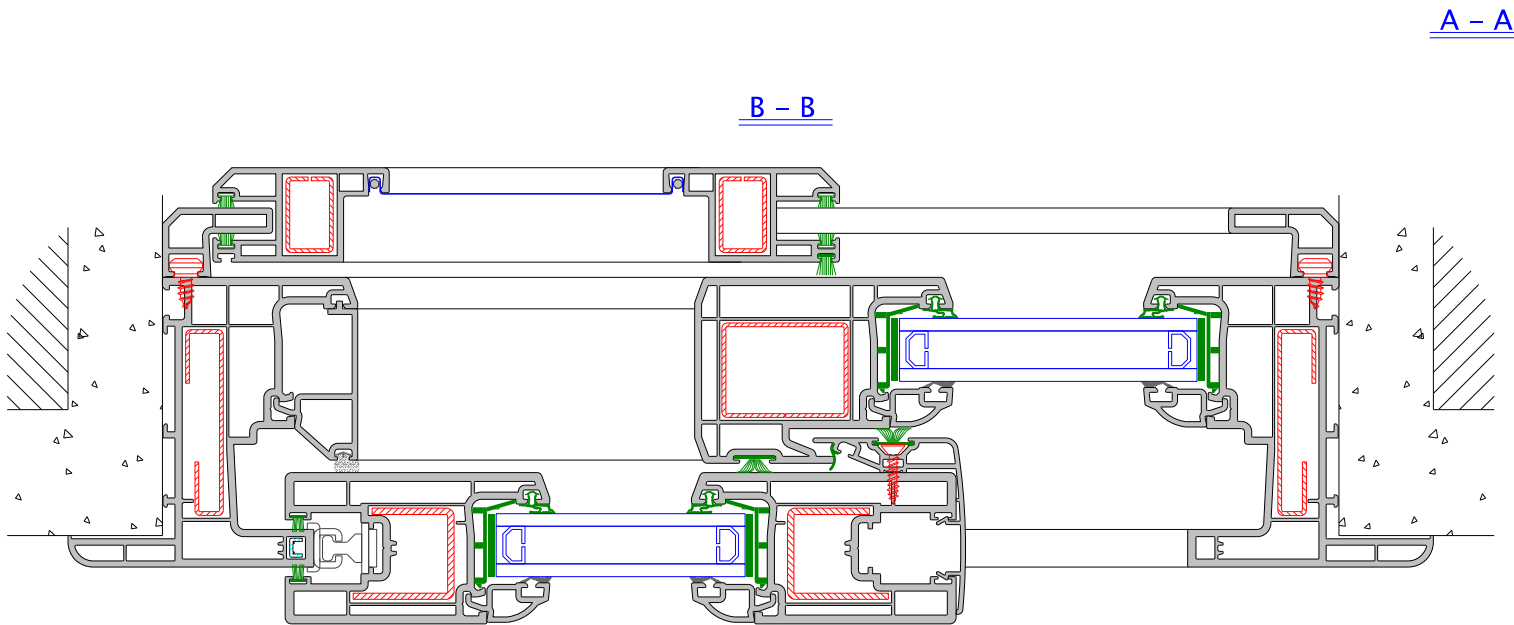
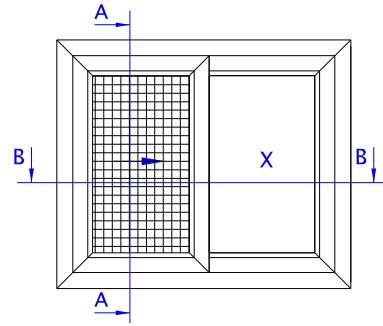
A - A



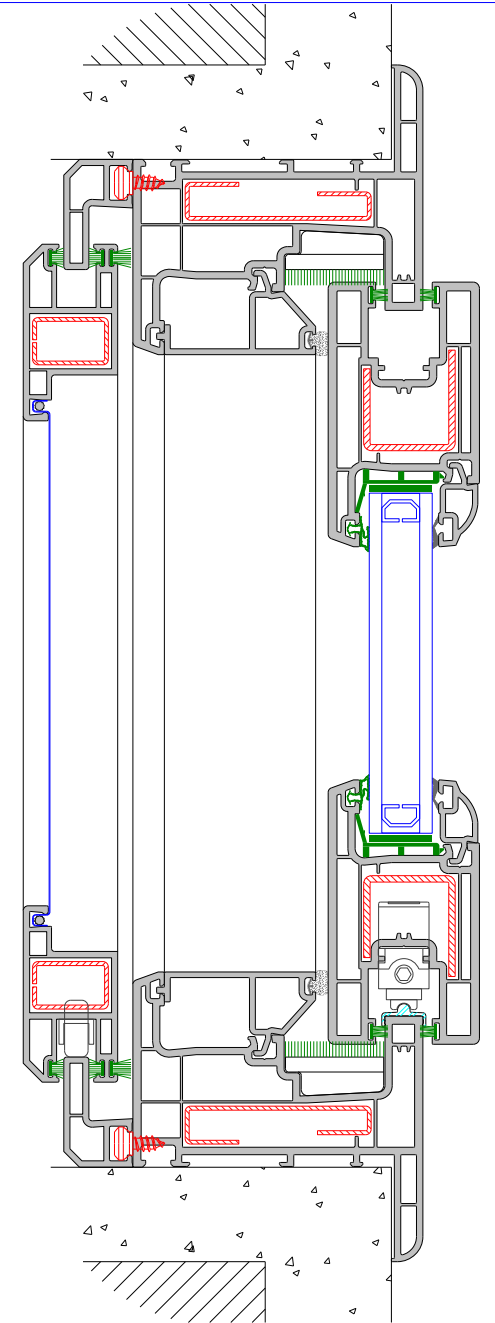


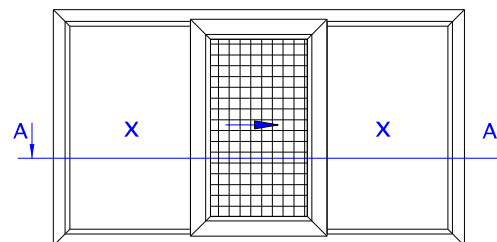
A - A



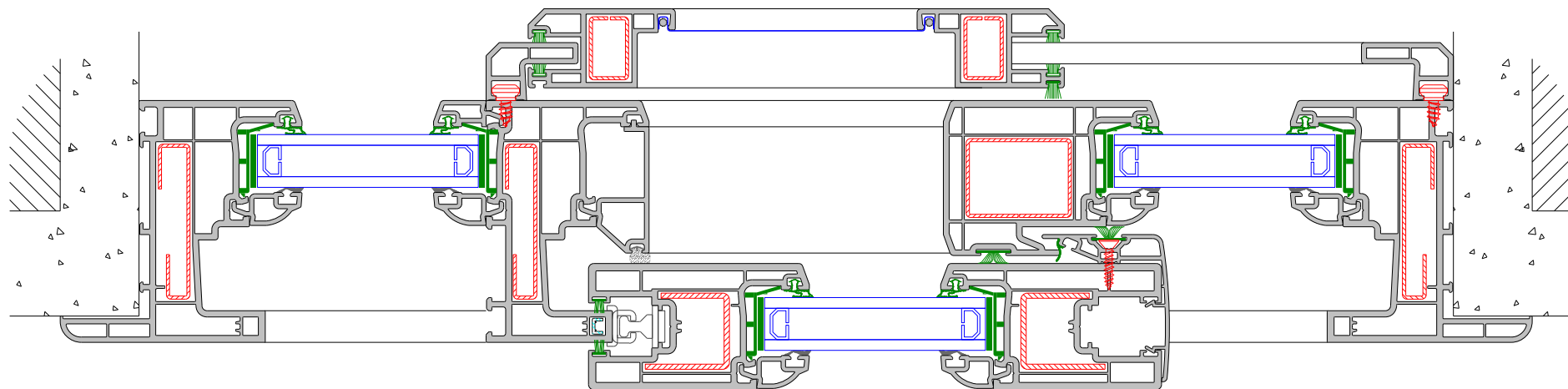


A - A

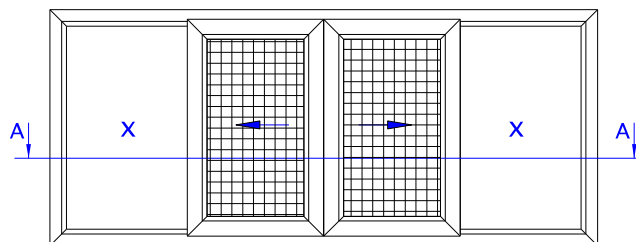




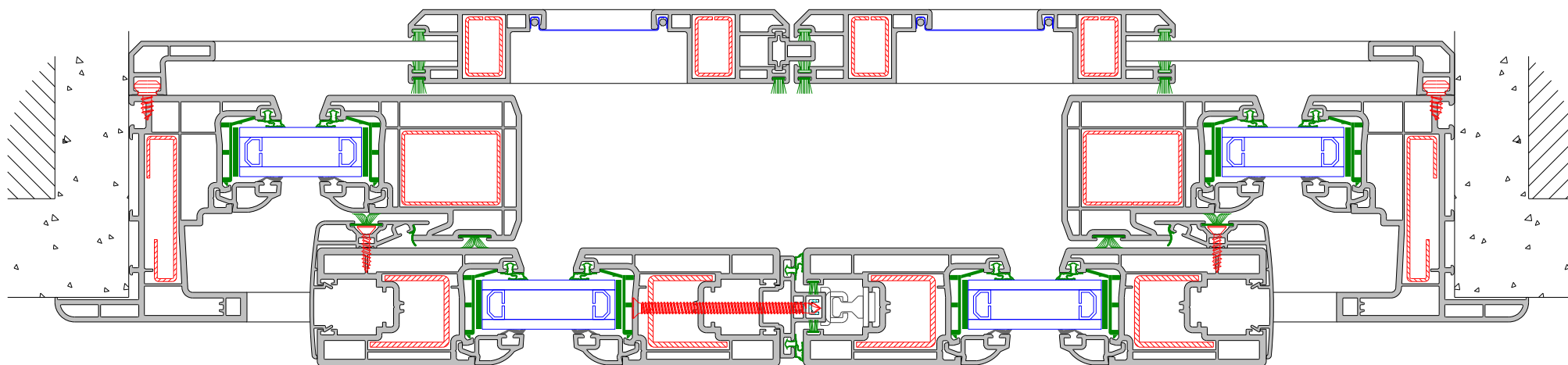
A - A

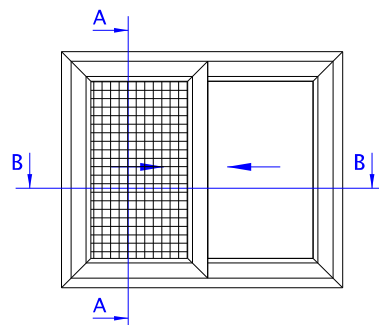






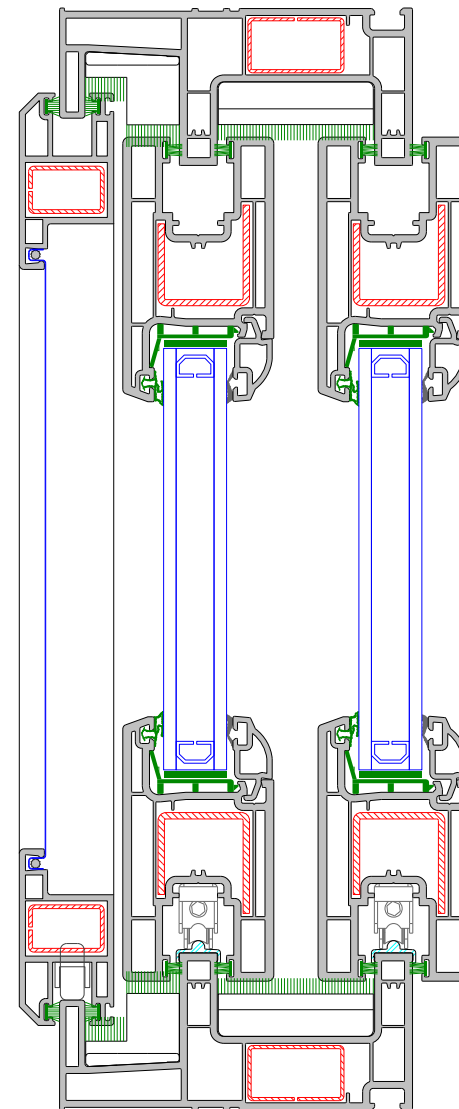
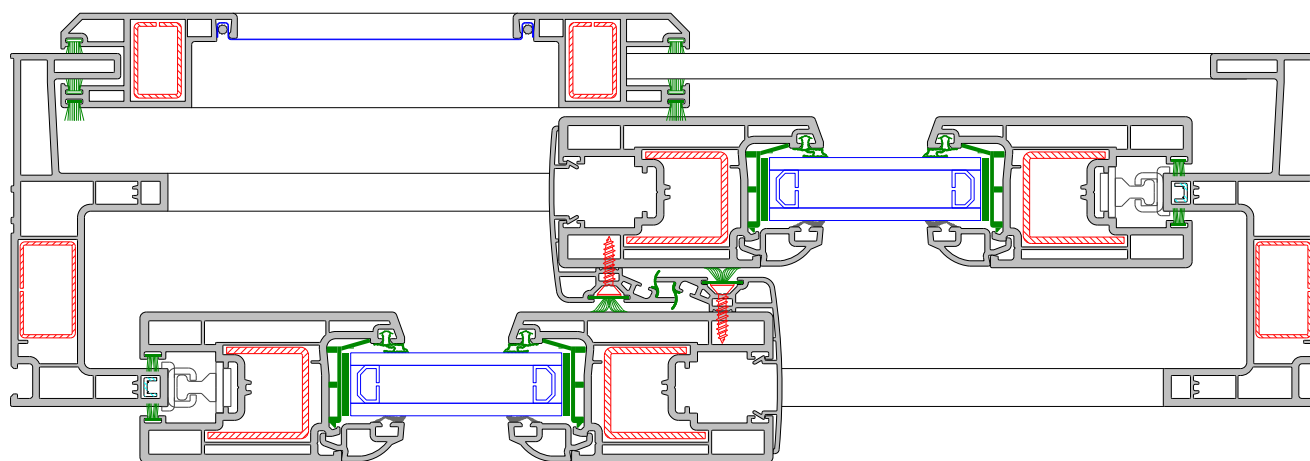
A - A

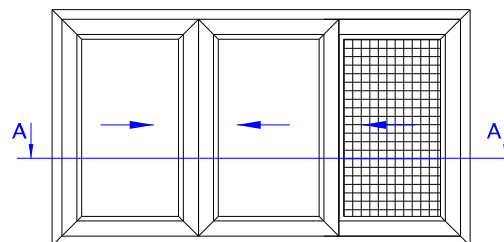




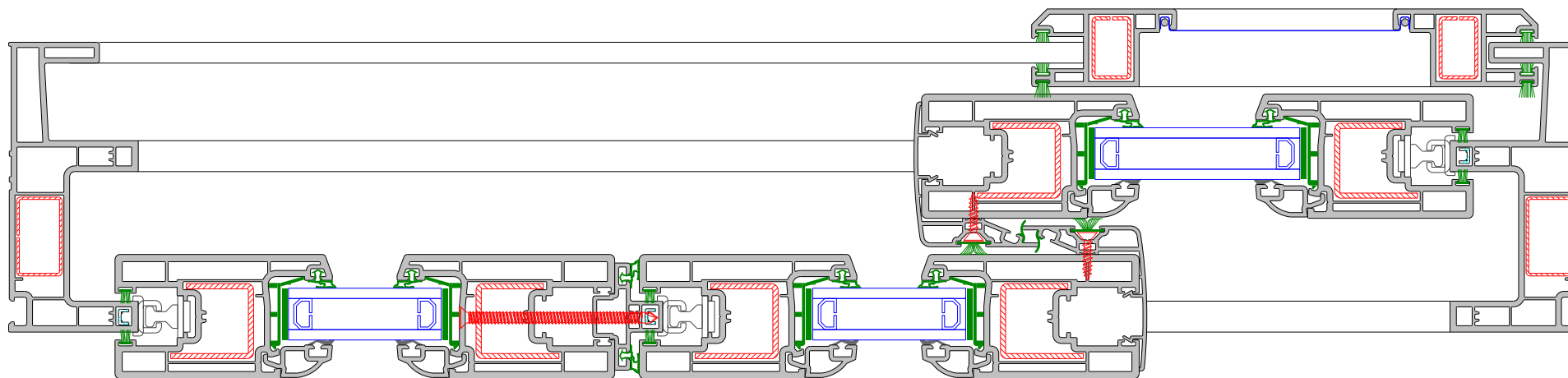
B - B

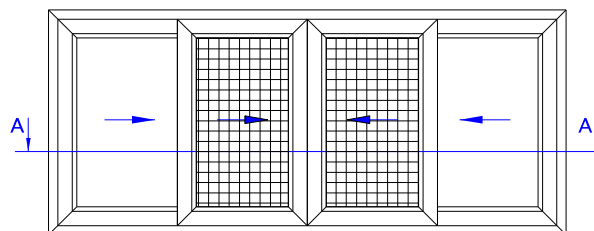
A - A



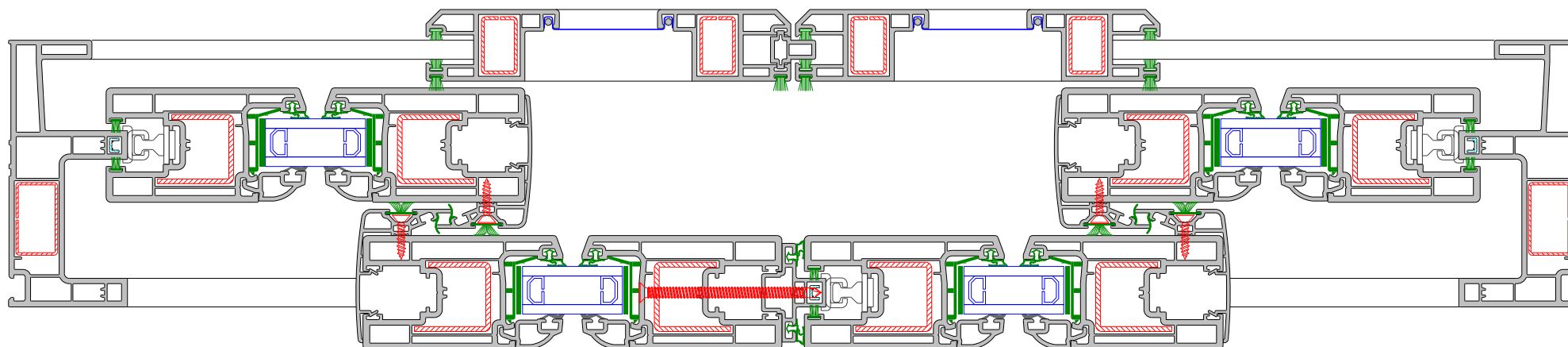


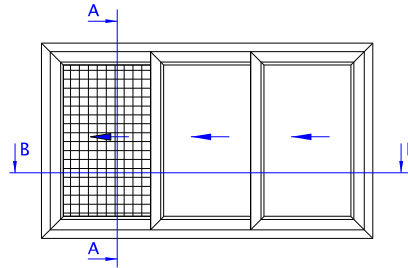
A - A





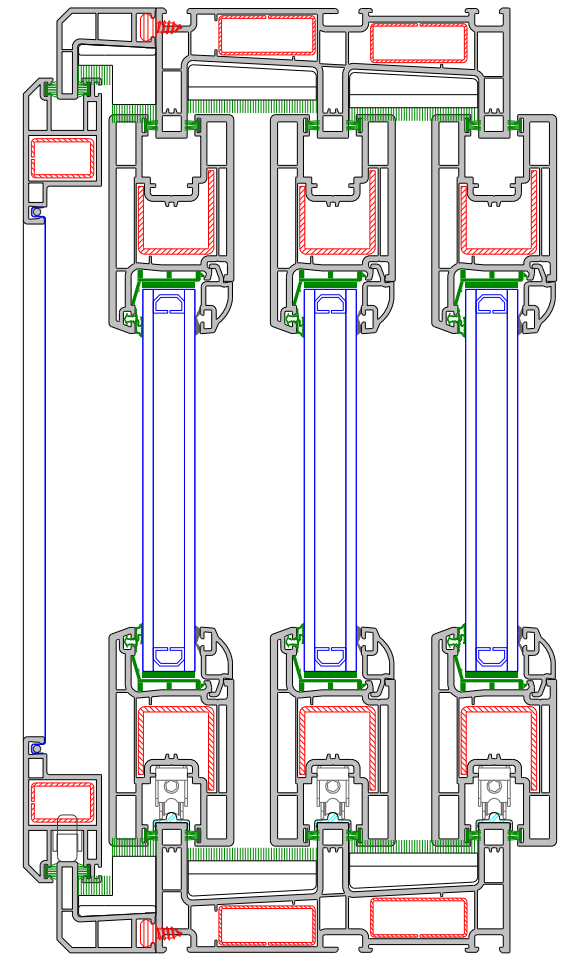
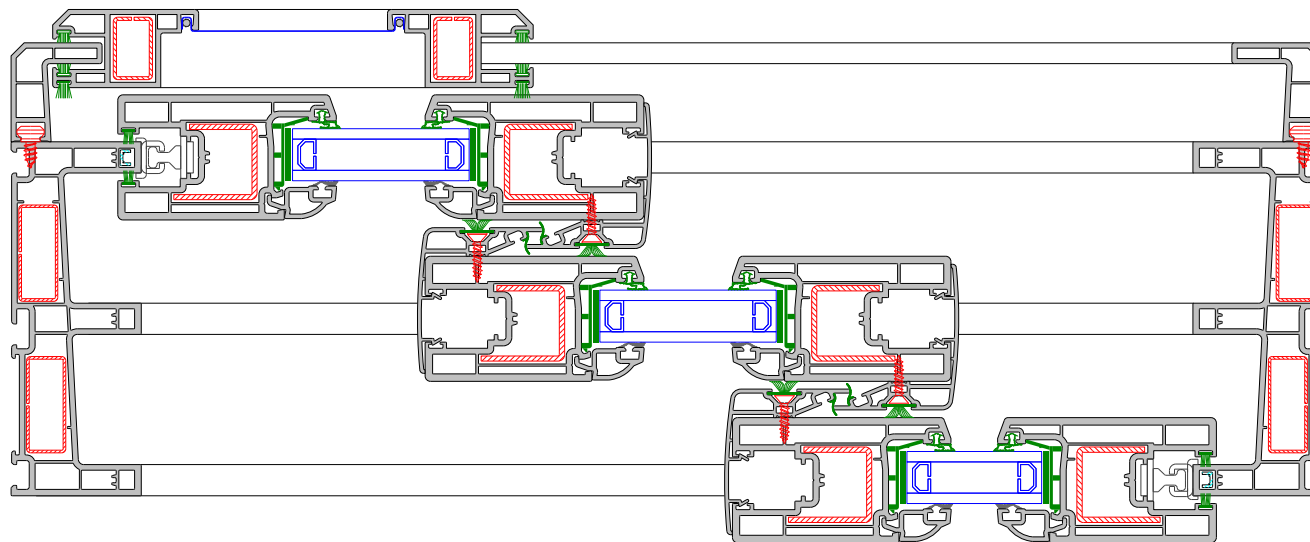
A - A

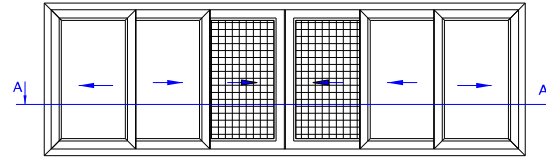




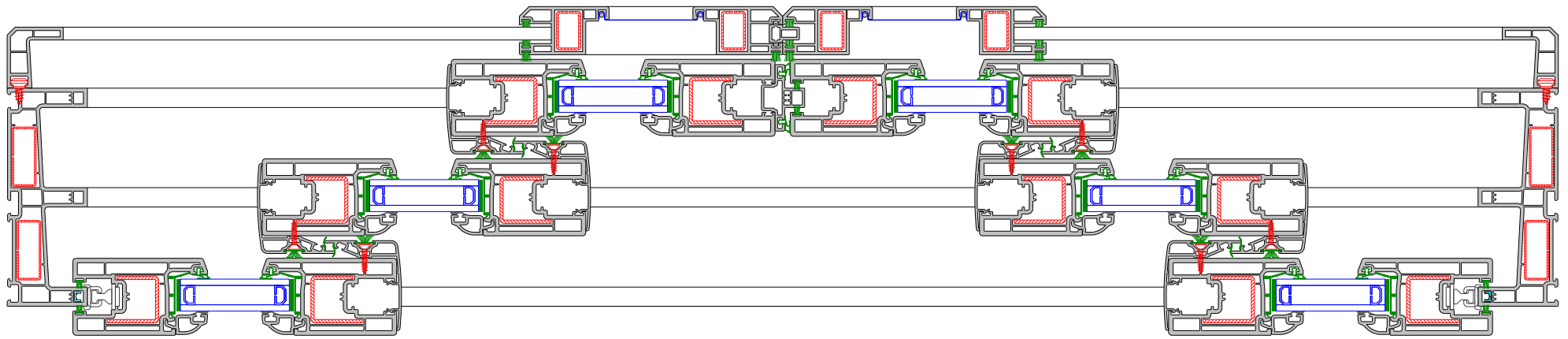
A - A

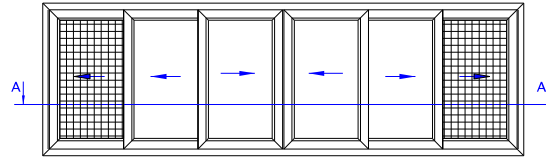
B - B



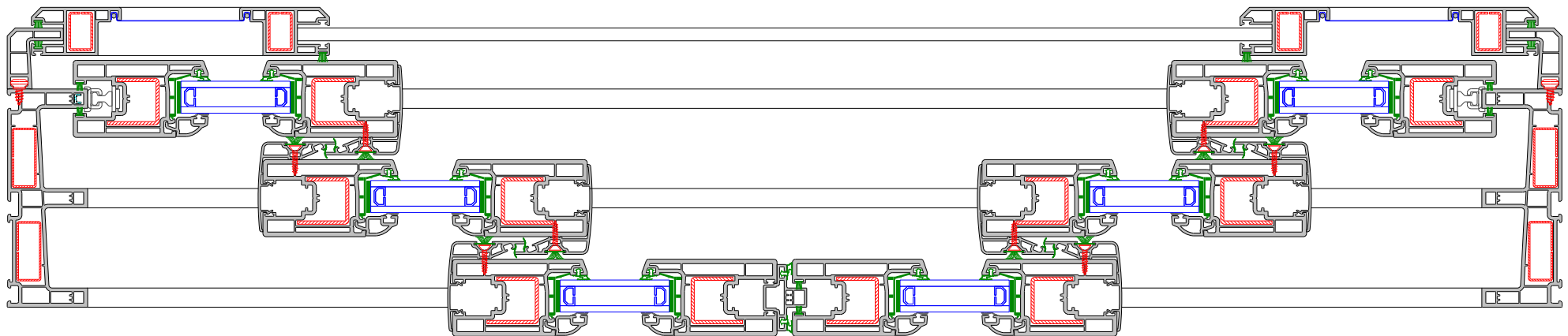


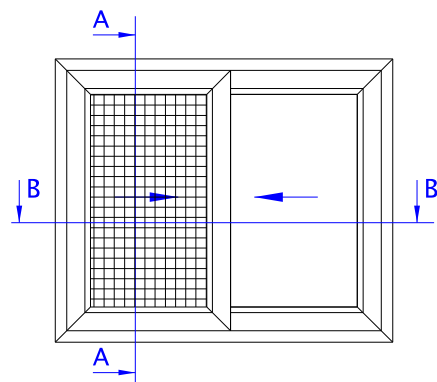
A-A





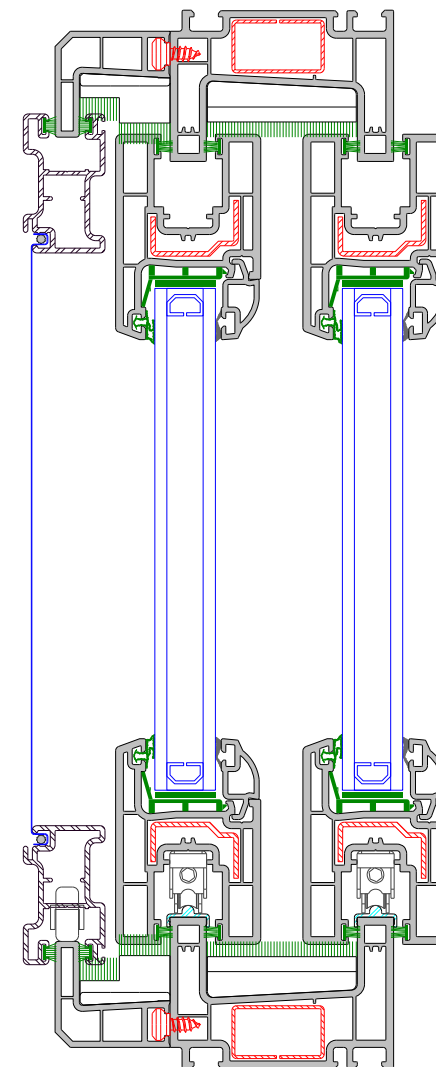
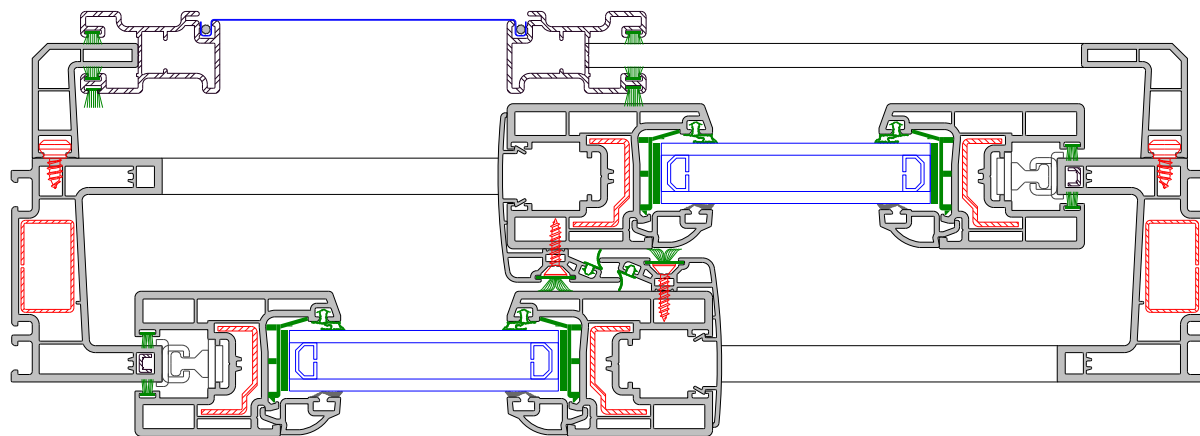
A - A



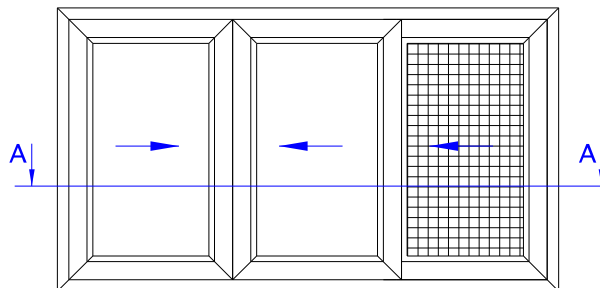


A - A

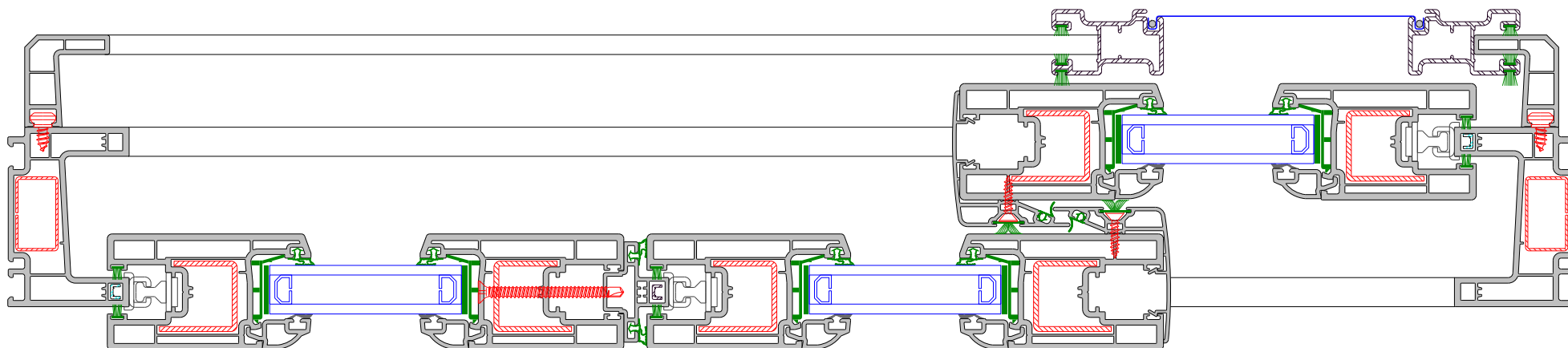
B - B

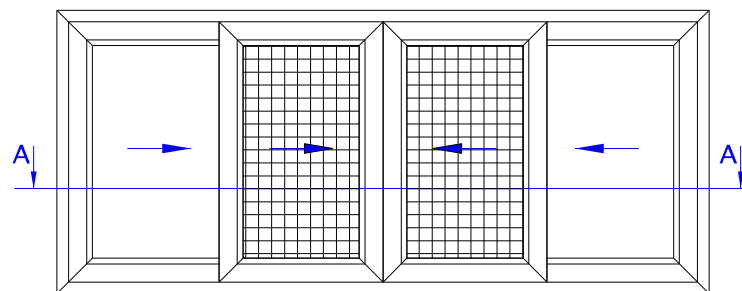




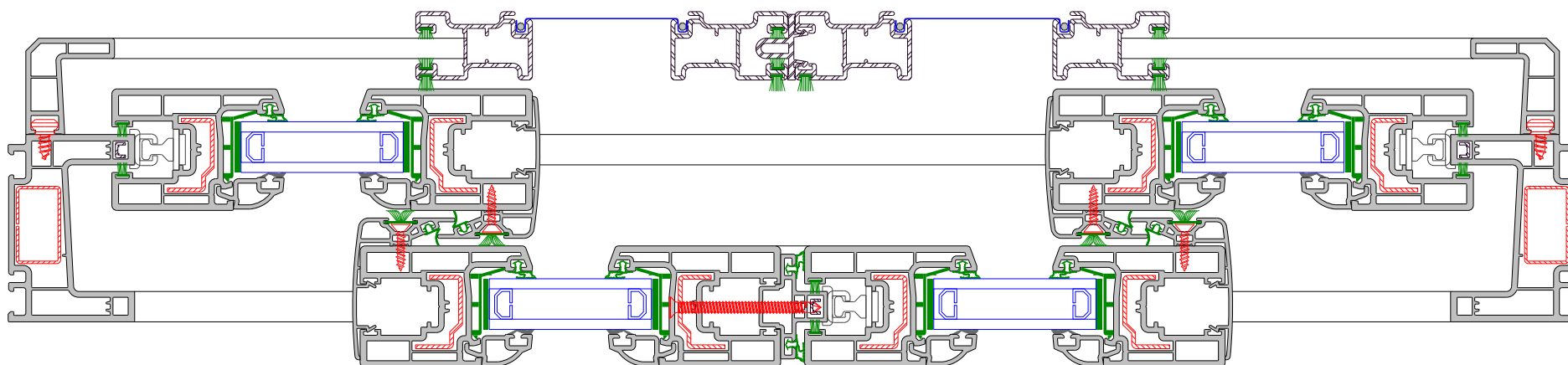


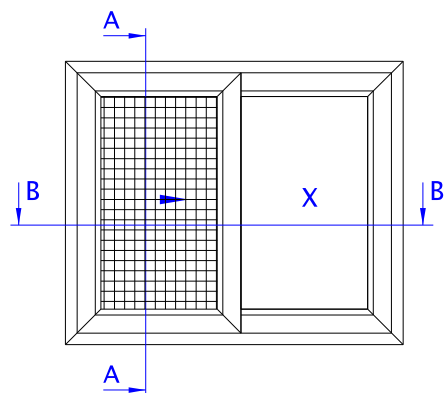
A - A





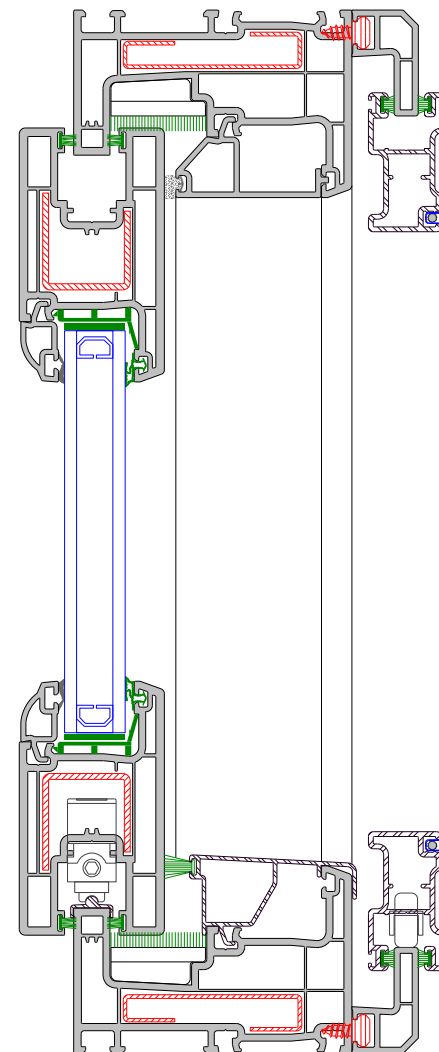
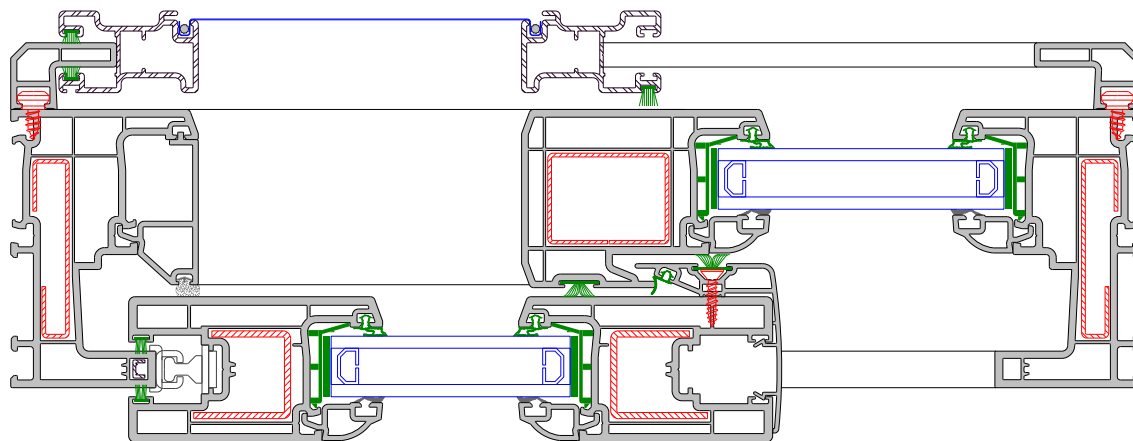
A - A

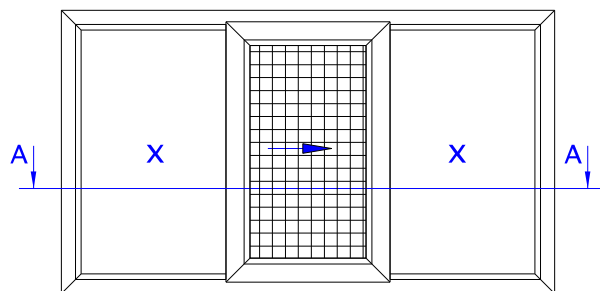




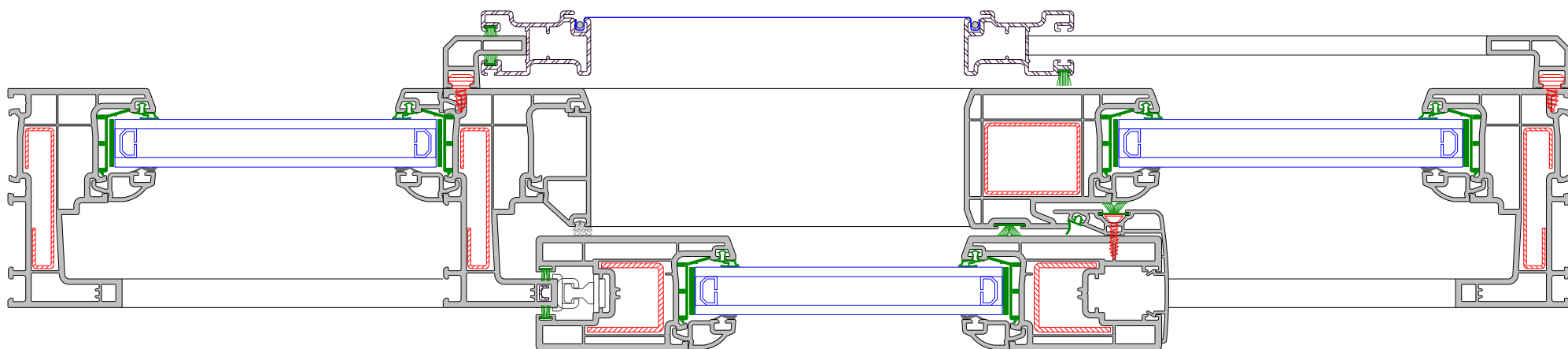
A - A

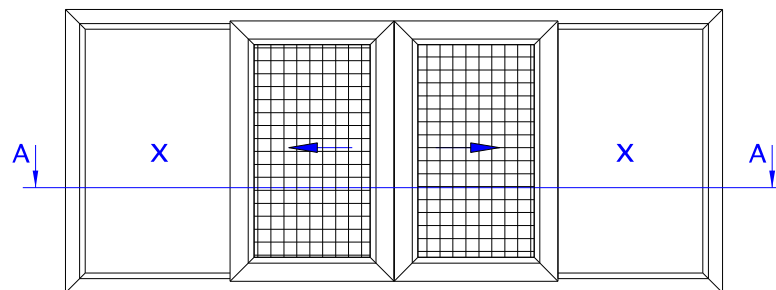
B - B





A - A





A - A

