

# Product datasheet

Specifications



## Cover frame, Merten M-Smart, 1 gang, polar white

MTN478119

### Main

Range	Merten System M
Aesthetic name	M-Smart
Product or component type	Cover frame

### Complementary

Number of gangs	1 gang
Colour	Polar white (RAL 9010)
Surface finish	Brilliant
Material	Polycarbonate
Mounting mode	Horizontal and vertical
IP degree of protection	IP20
Market segment	Residential Small commercial

### Packing Units

Unit Type of Package 1	PCE
Number of Units in Package 1	1
Package 1 Height	1.0 cm
Package 1 Width	8.1 cm
Package 1 Length	8.1 cm
Package 1 Weight	18.0 g
Unit Type of Package 2	BB1
Number of Units in Package 2	10
Package 2 Height	9.0 cm
Package 2 Width	8.0 cm
Package 2 Length	12.0 cm
Package 2 Weight	207.0 g
Unit Type of Package 3	CAR
Number of Units in Package 3	300
Package 3 Height	32.5 cm

Package 3 Width	30.0 cm
Package 3 Length	40.0 cm
Package 3 Weight	6.68 kg

## Offer Sustainability

Sustainable offer status	Green Premium product
Cradle to Cradle	Silver <a href="#">↗</a>
REACH Regulation	<a href="#">REACH Declaration</a>
REACH free of SVHC	Yes
EU RoHS Directive	Pro-active compliance (Product out of EU RoHS legal scope) <a href="#">EU RoHS Declaration</a>
Toxic heavy metal free	Yes
Mercury free	Yes
China RoHS Regulation	<a href="#">China RoHS declaration</a> Pro-active China RoHS declaration (out of China RoHS legal scope)
RoHS exemption information	Yes
Environmental Disclosure	<a href="#">Product Environmental Profile</a>

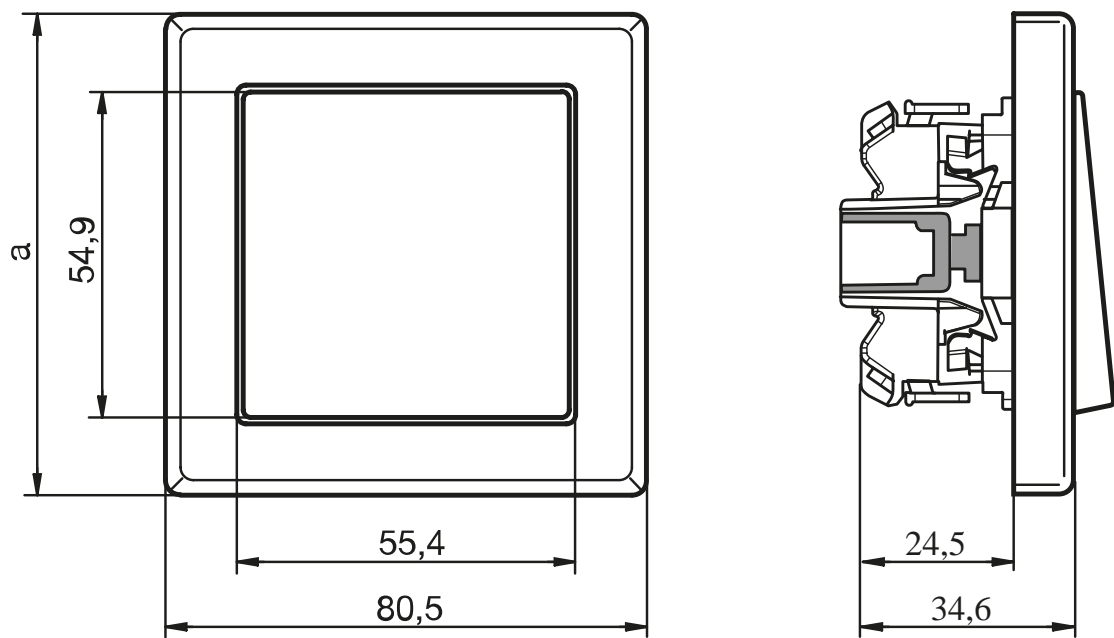
## Contractual warranty

Warranty	18 months
----------	-----------

Dimensions

Rocker switch

QuickFlex 



Merten M-Smart

Recommended replacement(s)